



Fasteba



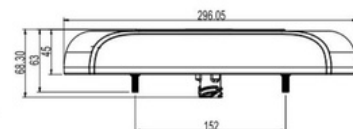
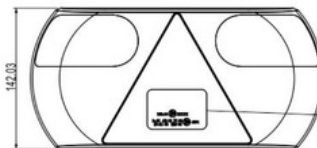
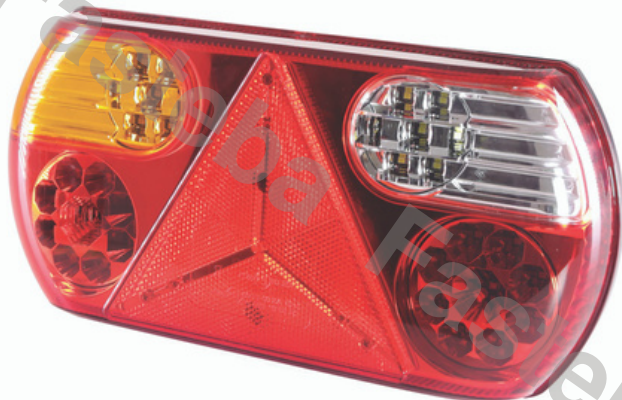
Ledverlichting

Contact informatie
www.fasteba.com
info@fasteba.com

TAIL LAMP 12/24 V 32 LED TRIANGLE LEFT

Reference: FA37172

PHOTO AND TECHNICAL DRAWING:



TECHNICAL SPECIFICATIONS:

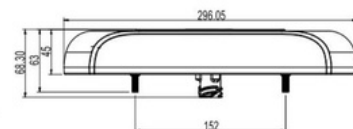
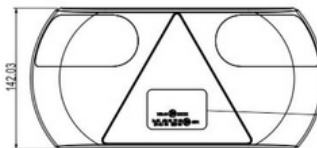


MATERIAL	LED QUANTITY	MOUNTING	CABLE	FUNCTION	WATT	VOLTAGE	CERTYFICATES	PACKING/ WEIGHT
» Lens: PMMA » Housing: ABS	» 32	» screw	» 500mm	» tail » stop » indicator » fog » reverse » reflector	» 0,2W » 1,5W » 1,2W » 2,5W » 1,7W	» 12V/24V	» ECE R3 » ECE R6 » ECE R7 » ECE R10 » ECE R23 » ECE R38	» cart. dim: 300x150x80 mm » lamp weight: 760g » 10 pcs/bulk box

TAIL LAMP 12/24 V 32 LED TRIANGLE RIGHT

Reference: FA37173

PHOTO AND TECHNICAL DRAWING:



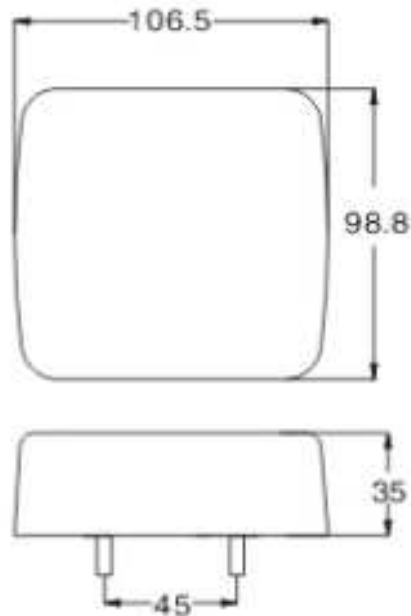
TECHNICAL SPECIFICATIONS:

MATERIAL	LED QUANTITY	MOUNTING	CABLE	FUNCTION	WATT	VOLTAGE	CERTYFICATES	PACKING/ WEIGHT
» Lens: PMMA » Housing: ABS	» 32	» screw	» 500mm	» tail » stop » indicator » fog » reverse » reflector	» 0,2W » 1,5W » 1,2W » 2,5W » 1,7W	» 12V/24V	» ECE R3 » ECE R6 » ECE R7 » ECE R10 » ECE R23 » ECE R38	» cart. dim: 300x150x80 mm » lamp weight: 760g » 10 pcs/bulk box

TAIL LAMP LED 25 LEFT 12/24V

Reference: FA37174

PHOTO AND TECHNICAL DRAWING:



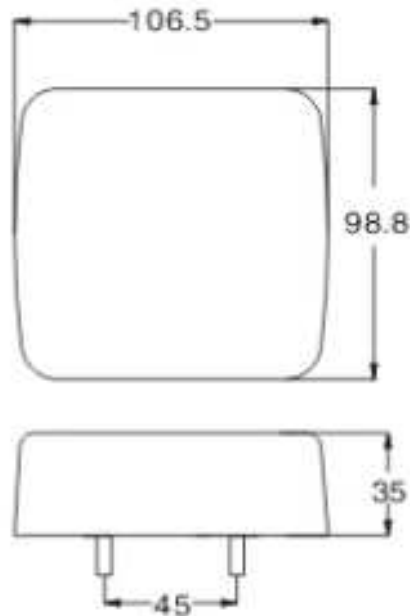
TECHNICAL SPECIFICATIONS:

MATERIAL	LED QUANTITY	MOUNTING	CABLE	FUNCTION	WATT	VOLTAGE	CERTYFICATES	PACKING/WEIGHT
» lens: PMMA » housing: PC/ABS	» 25	» screws	» 150mm	» tail » stop » indicator » NPL	» 0,55W » 1W » 1W » 2,25W	» 12V/24V	» ECE R4 » ECE R6 » ECE R7 » ECE R10	» cart. dim: 130x110x70 mm » lamp weight: 180g » 50 pcs/bulk box

TAIL LAMP LED 25 RIGHT 12/24V

Reference: FA37175

PHOTO AND TECHNICAL DRAWING:



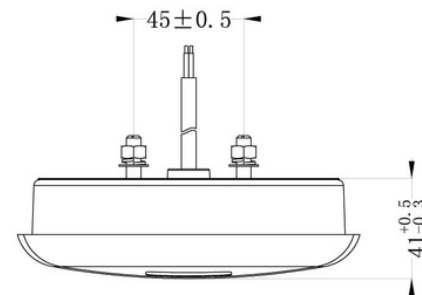
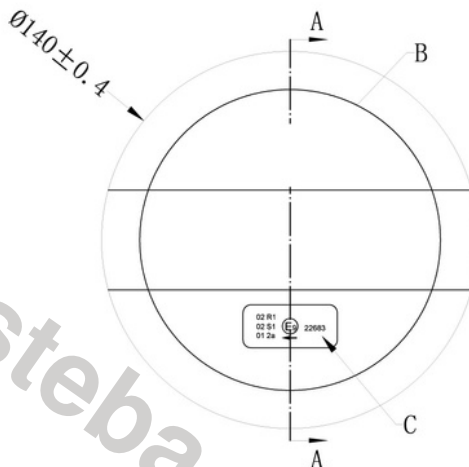
TECHNICAL SPECIFICATIONS:

MATERIAL	LED QUANTITY	MOUNTING	CABLE	FUNCTION	WATT	VOLTAGE	CERTYFICATES	PACKING/WEIGHT
» lens: PMMA » housing: PC/ABS	» 25	» screws	» 150mm	» tail » stop » indicator » NPL	» 0,55W » 1W » 1W » 2,25W	» 12V/24V	» ECE R4 » ECE R6 » ECE R7 » ECE R10	» cart. dim: 130x110x70 mm » lamp weight: 180g » 50 pcs/bulk box

TAIL LAMP LED KMR4 3 FUNCTION DYNAMIC INDICATOR LEFT MINI

Reference: FA37176

PHOTO AND TECHNICAL DRAWING:



TECHNICAL SPECIFICATIONS:

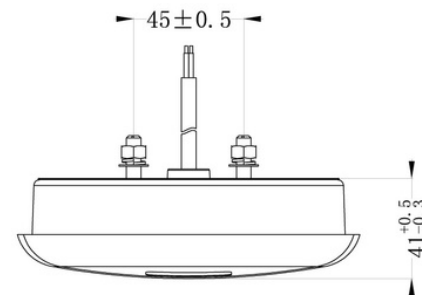
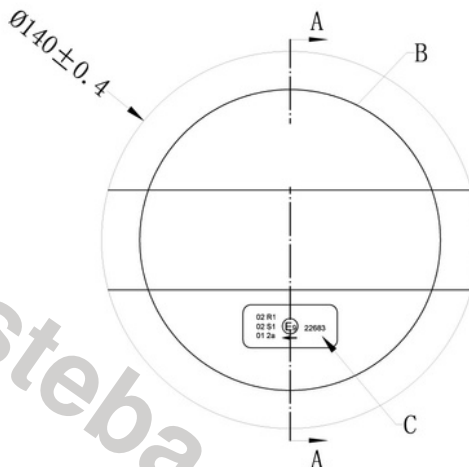


MATERIAL	QUANTITY LED	MOUNTING	CABLE	FUNCTION	WATT	VOLTAGE	CERTIFICATES	PACKING/ WEIGHT
» Lens: PMMA+PC » Housing: ABS+PC	» 36	» screws	» 250mm	» tail » stop » indicator	» 2W/2W » 2 W/2W » 4,5W/9W	» 12/V24V	» ECE R6 » ECE R7 » ECE R10	» cart., dim.: 150x150x80 mm » lamp weight: 270g » 28 pcs/ bulkbox

TAIL LAMP LED KMR4 3 FUNCTION DYNAMIC INDICATOR RIGHT MINI

Reference: FA37177

PHOTO AND TECHNICAL DRAWING:



TECHNICAL SPECIFICATIONS:

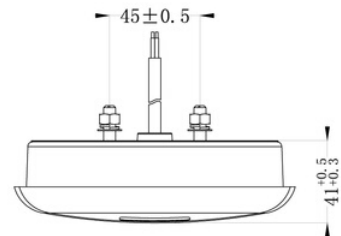
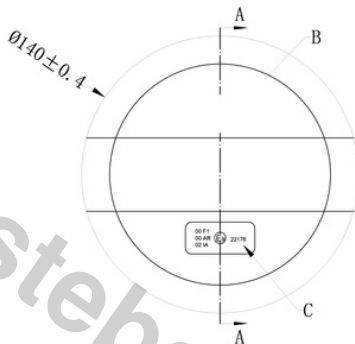


MATERIAL	QUANTITY LED	MOUNTING	CABLE	FUNCTION	WATT	VOLTAGE	CERTIFICATES	PACKING/WEIGHT
» Lens: PMMA+PC » Housing: ABS+PC	» 36	» screws	» 250mm	» tail » stop » indicator	» 2W/2W » 2 W/2W » 4,5W/9W	» 12/V24V	» ECE R6 » ECE R7 » ECE R10	» cart., dim.: 150x150x80 mm » lamp weight: 270g » 28 pcs/ bulkbox

LED TAIL LAMP KMR4 2 FUNCTION

Reference: FA37178

PHOTO AND TECHNICAL DRAWING:



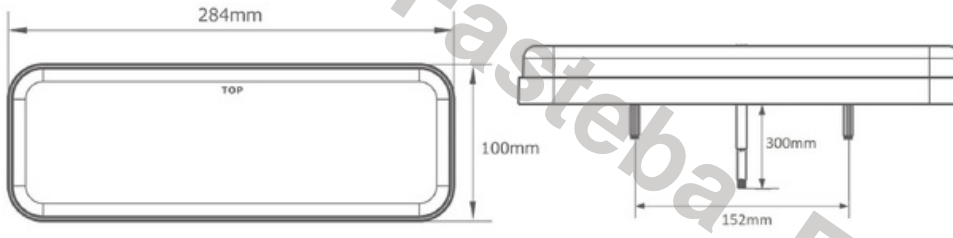
TECHNICAL SPECIFICATIONS:

MATERIAL	LED QUANTITY	MOUNTING	CABLE	FUNCTION	WATT	VOLTAGE	CERTYFICATES	PACKING/ WEIGHT
» lens: PMMA+PC » housing: ABS+PC	» 28	» screws	» 300mm	» reverse » fog » reflector	» 2W » 3W	» 12/V24V	» ECE R3 » ECE R10 » ECE R23 » ECE R38	» cart. dim: 150x150x80 mm » lamp weight: 240g » 28 szt/bulk box

TAIL LAMP TL LED NEON DYNAMIC 12/24V LEFT MINI

Reference: FA37179

PHOTO AND TECHNICAL DRAWING:



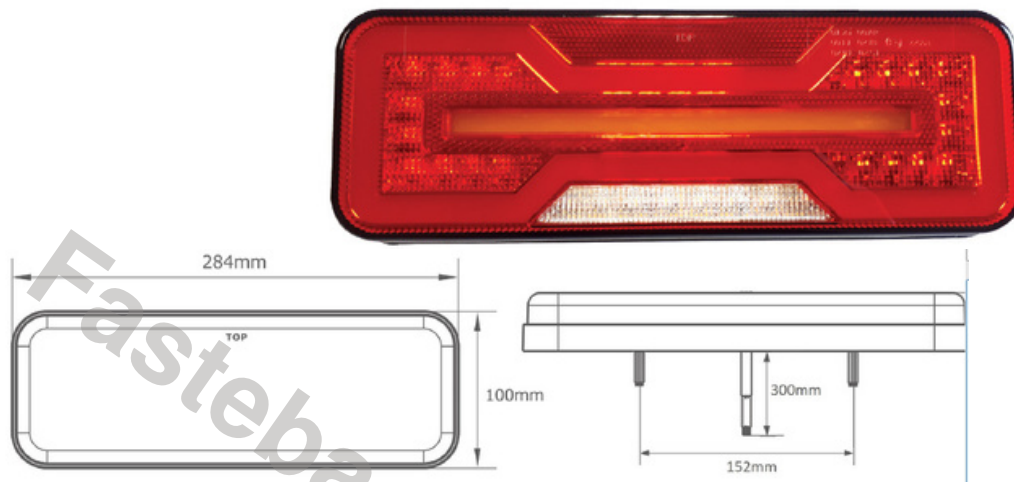
TECHNICAL SPECIFICATIONS:

MATERIAL	LED QUANTITY	MOUNTING	CABLE	FUNCTION	WATT	VOLTAGE	CERTYFICATES	PACKING/WEIGHT
<ul style="list-style-type: none"> » lens: PC » housing: ABS 	<ul style="list-style-type: none"> » 88 	<ul style="list-style-type: none"> » screws 	<ul style="list-style-type: none"> » 350mm 	<ul style="list-style-type: none"> » tail » stop » indicator » reverse » fog » reflector 	<ul style="list-style-type: none"> » 1,9 W » 1,2 W » 4 W » 1,9 W » 3,4 W 	<ul style="list-style-type: none"> » 12/V24V 	<ul style="list-style-type: none"> » ECE R3 » ECE R6 » ECE R7 » ECE R10 » ECE R23 » ECE R38 	<ul style="list-style-type: none"> » cart. dim: 310x120x80 mm » lamp weight: 570g » 20 pcs/bulk box

TAIL LAMP TL LED NEON DYNAMIC 12/24V RIGHT MINI

Reference: FA37180

PHOTO AND TECHNICAL DRAWING:



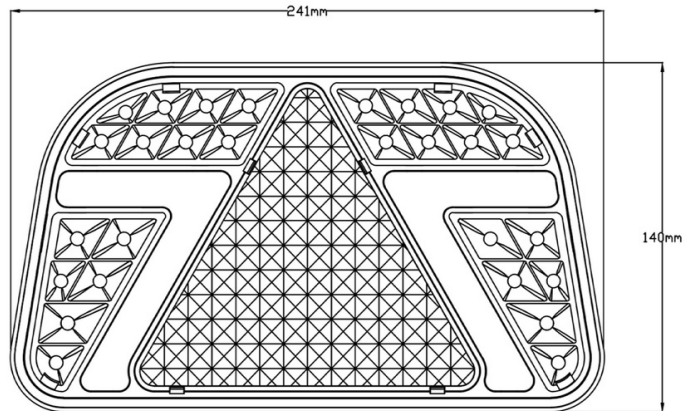
TECHNICAL SPECIFICATIONS:

MATERIAL	LED QUANTITY	MOUNTING	CABLE	FUNCTION	WATT	VOLTAGE	CERTYFICATES	PACKING/WEIGHT
<ul style="list-style-type: none"> » lens: PC » housing: ABS 	<ul style="list-style-type: none"> » 88 	<ul style="list-style-type: none"> » screws 	<ul style="list-style-type: none"> » 350mm 	<ul style="list-style-type: none"> » tail » stop » indicator » reverse » fog » reflector 	<ul style="list-style-type: none"> » 1,9 W » 1,2 W » 4 W » 1,9 W » 3,4 W 	<ul style="list-style-type: none"> » 12/V24V 	<ul style="list-style-type: none"> » ECE R3 » ECE R6 » ECE R7 » ECE R10 » ECE R23 » ECE R38 	<ul style="list-style-type: none"> » cart. dim: 310x120x80 mm » lamp weight: 570g » 20 pcs/bulk box

TAIL LAMP LED TL 5-FUN. TRIANGLE 12/24V LEFT

Reference: FA37181

PHOTO AND TECHNICAL DRAWING:



TECHNICAL SPECIFICATIONS:

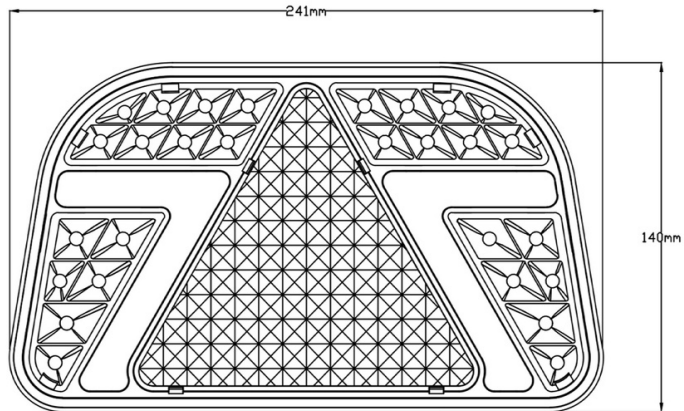


MATERIAL	LED QUANTITY	MOUNTING	CABLE	FUNCTION	WATT	VOLTAGE	CERTYFICATES	PACKING/ WEIGHT
» Lens: PC » Housing: ABS	» 82	» screw	» 250mm	» tail » stop » indicator » fog » reverse » NPL » reflector	» 2,1W » 3,5W » 3W » 4,2W » 5W » 1,5W	» 12V/24V	» ECE R3 » ECE R4 » ECE R6 » ECE R7 » ECE R10 » ECE R23 » ECE R38	» cart. dim: 260x150x70mm » lamp weight: 530g » 40 pcs/bulk box

TAIL LAMP LED TL 5-FUN. TRIANGLE 12/24V RIGHT

Reference: FA37182

PHOTO AND TECHNICAL DRAWING:



TECHNICAL SPECIFICATIONS:

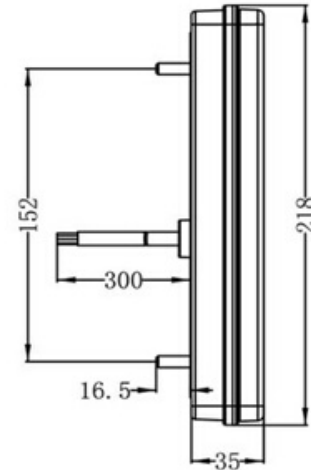
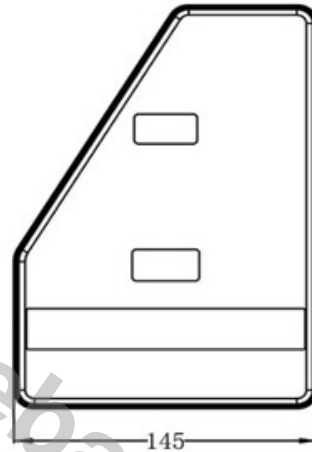


MATERIAL	LED QUANTITY	MOUNTING	CABLE	FUNCTION	WATT	VOLTAGE	CERTYFICATES	PACKING/ WEIGHT
» Lens: PC » Housing: ABS	» 82	» screw	» 250mm	» tail » stop » indicator » fog » reverse » NPL » reflector	» 2,1W » 3,5W » 3W » 4,2W » 5W » 1,5W	» 12V/24V	» ECE R3 » ECE R4 » ECE R6 » ECE R7 » ECE R10 » ECE R23 » ECE R38	» cart. dim: 260x150x70mm » lamp weight: 530g » 40 pcs/bulk box

TAIL LAMP LED 5-FUN. TRIANGLE LEFT

Reference: FA37183

PHOTO AND TECHNICAL DRAWING:



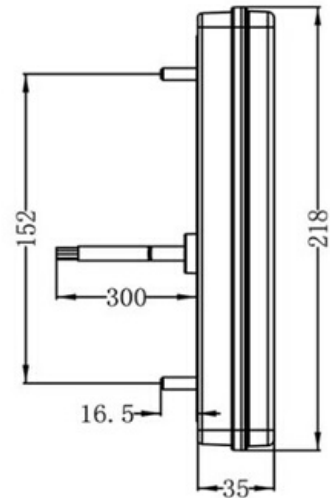
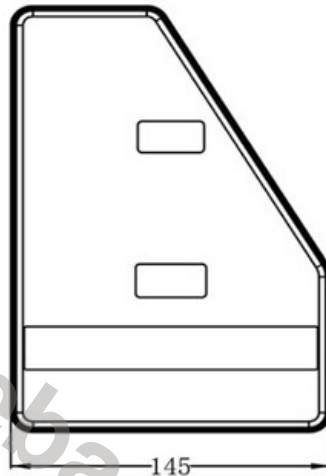
TECHNICAL SPECIFICATIONS:

MATERIAL	LED QUANTITY	MOUNTING	CABLE	FUNCTION	WATT	VOLTAGE	CERTYFICATES	PACKING/ WEIGHT
» Lens: PMMA » Housing: ABS + PC	» 45	» 2x screw	» 300mm	» tail » stop » indicator » reverse » fog » reflector	» 1,4W » 2W » 22W » 1,W » 2,4W	» 12V/24V	» ECE R3 » ECE R6 » ECE R7 » ECE R10 » ECE R23 » ECE R38	» cart. dim: 155x65x230mm » lamp weight: 456g » 20 pcs/bulk box

TAIL LAMP LED 5-FUN. TRIANGLE RIGHT

Reference: FA37184

PHOTO AND TECHNICAL DRAWING:



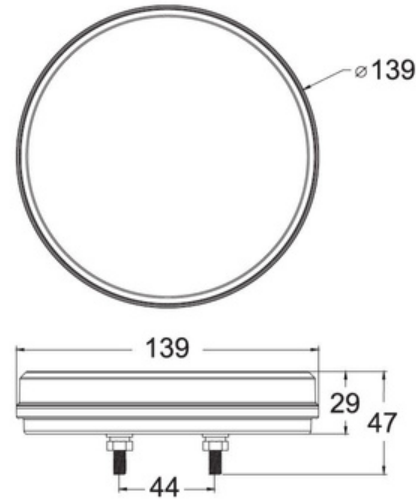
TECHNICAL SPECIFICATIONS:

MATERIAL	LED QUANTITY	MOUNTING	CABLE	FUNCTION	WATT	VOLTAGE	CERTYFICATES	PACKING/ WEIGHT
» Lens: PMMA » Housing: ABS + PC	» 45	» 2x screw	» 300mm	» tail » stop » indicator » reverse » fog » reflector	» 1,4W » 2W » 22W » 1,W » 2,4W	» 12V/24V	» ECE R3 » ECE R6 » ECE R7 » ECE R10 » ECE R23 » ECE R38	» cart. dim: 155x65x230mm » lamp weight: 456g » 20 pcs/bulk box

REAR LAMP LED RING DYNAMIC INDICATOR

Reference: FA37185

PHOTO AND TECHNICAL DRAWING:



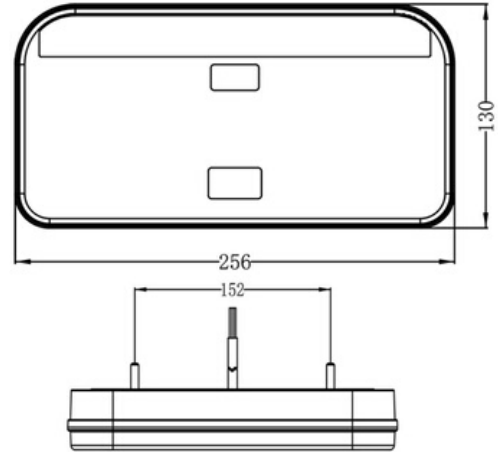
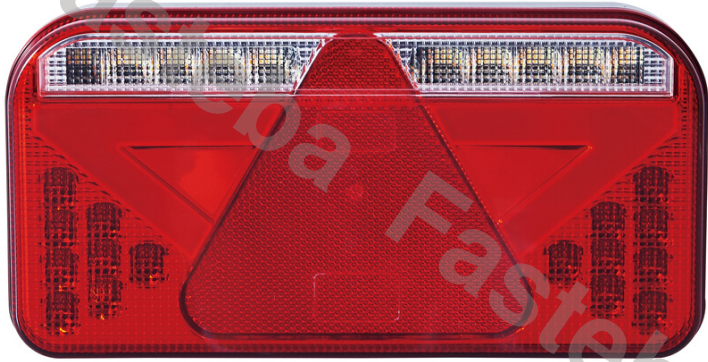
TECHNICAL SPECIFICATIONS:

MATERIAL	LED QUANTITY	MOUNTING	CABLE	FUNCTION	WATT	VOLTAGE	CERTYFICATES	PACKING/ WEIGHT
» Lens: PC » Housing: ABS	» 50	» screw	» 250mm	» tail » stop » indicator	» 2,5W » 4,5W » 2,5W	» 12V/24V	» ECE R6 » ECE R7 » ECE R10	» cart. dim: 150x60x150 mm » lamp weight: 380g » 50 pcs/bulk box

TAIL LAMP LED 5-FUN. WITH TRIANGLE + NPL LEFT

Reference: FA37186

PHOTO AND TECHNICAL DRAWING:



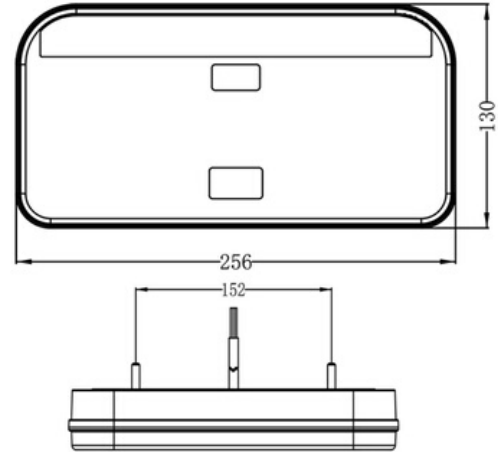
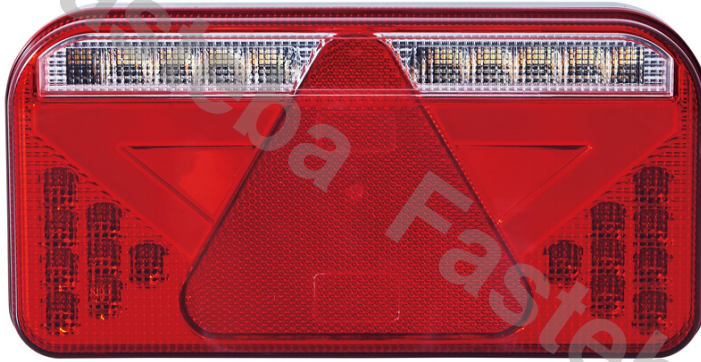
TECHNICAL SPECIFICATIONS:

MATERIAL	LED QUANTITY	MOUNTING	CABLE	FUNCTION	WATT	VOLTAGE	CERTYFICATES	PACKING/ WEIGHT
<ul style="list-style-type: none"> » Lens: PMMA » Housing: ABS + PC 	<ul style="list-style-type: none"> » 61 	<ul style="list-style-type: none"> » 2x screw 	<ul style="list-style-type: none"> » 300mm 	<ul style="list-style-type: none"> » tail » stop » indicator » reverse » NPL » fog » reflector 	<ul style="list-style-type: none"> » 1,7W » 2,2W » 22W » 2W » 0,6/1,2W » 2,8W 	<ul style="list-style-type: none"> » 12V/24V 	<ul style="list-style-type: none"> » ECE R3 » ECE R4 » ECE R6 » ECE R7 » ECE R10 » ECE R23 » ECE R38 	<ul style="list-style-type: none"> » cart. dim: 140x65x265mm » lamp weight: 572g » 22 pcs/bulk box

TAIL LAMP LED 5-FUN. WITH TRIANGLE + NPL RIGHT

Reference: FA37187

PHOTO AND TECHNICAL DRAWING:



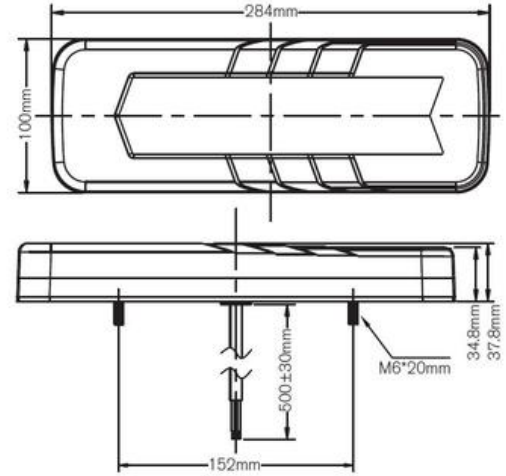
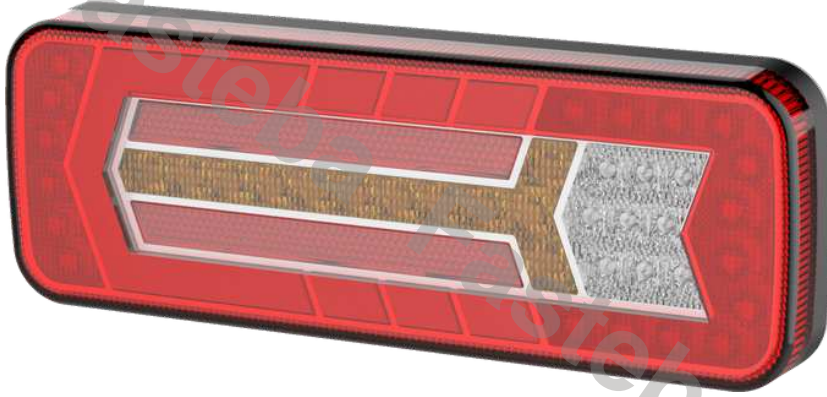
TECHNICAL SPECIFICATIONS:

MATERIAL	LED QUANTITY	MOUNTING	CABLE	FUNCTION	WATT	VOLTAGE	CERTYFICATES	PACKING/ WEIGHT
<ul style="list-style-type: none"> » Lens: PMMA » Housing: ABS + PC 	<ul style="list-style-type: none"> » 61 	<ul style="list-style-type: none"> » 2x screw 	<ul style="list-style-type: none"> » 300mm 	<ul style="list-style-type: none"> » tail » stop » indicator » reverse » NPL » fog » reflector 	<ul style="list-style-type: none"> » 1,7W » 2,2W » 22W » 2W » 0,6/1,2W » 2,8W 	<ul style="list-style-type: none"> » 12V/24V 	<ul style="list-style-type: none"> » ECE R3 » ECE R4 » ECE R6 » ECE R7 » ECE R10 » ECE R23 » ECE R38 	<ul style="list-style-type: none"> » cart. dim: 140x65x265mm » lamp weight: 572g » 22 pcs/bulk box

REAR LAMP LED DYNAMIC INDICATOR

Reference: FA37188

PHOTO AND TECHNICAL DRAWING:



TECHNICAL SPECIFICATIONS:

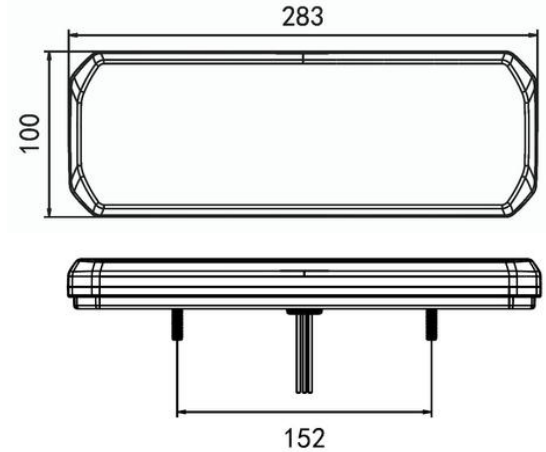


MATERIAL	LED QUANTITY	MOUNTING	WIRE	FUNCTION	WATT	VOLTAGE	CERTYFICATES	PACKING /WEIGHT
» Lens: PC » Housing: ABS	» 61	» screw	» 300mm	» tail » stop » indicator » fog » reverse » reflector	» 1,7W » 1,6W » 3,2W » 1,6W » 2,7W	» 12V/24V	» ECE R3 » ECE R6 » ECE R7 » ECE R10 » ECE R23 » ECE R38	» cart. dim: 310x126x85mm » lamp weight: 750g » 30 pcs/bulk box

REAR COMBINATION LAMP LED NEON

Reference: FA37189

PHOTO AND TECHNICAL DRAWING:



TECHNICAL SPECIFICATIONS:

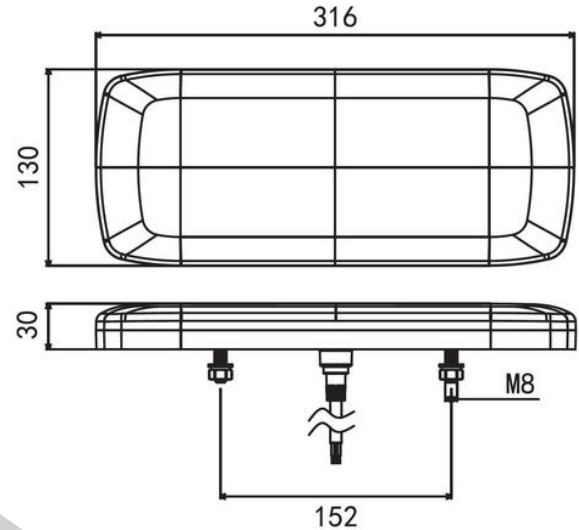


MATERIAL	LED QUANTITY	MOUNTING	CABLE	FUNCTION	WATT	VOLTAGE	CERTYFICATES	PACKING/ WEIGHT
» Lens: PC » Housing: PC	» 96	» screw	» 500mm	» tail » stop » indicator » fog » reverse » reflector	» 2,0W » 2,0W » 2,0W » 3,7W » 2,3W	» 12V/24V	» ECE R3 » ECE R6 » ECE R7 » ECE R10 » ECE R23 » ECE R38	» cart. dim: 303x114x77mm » lamp weight: 700g » 15 pcs/bulk box

REAR LAMP LED NEON DYNAMIC INDICATOR

Reference: FA37190

PHOTO AND TECHNICAL DRAWING:



DYNAMIC INDICATOR



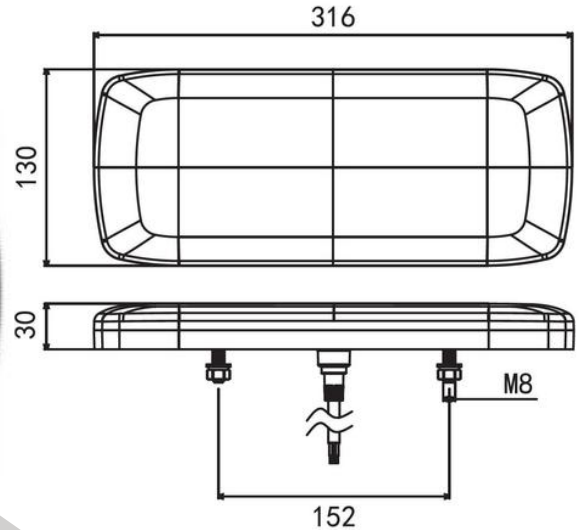
TECHNICAL SPECIFICATIONS:

MATERIAL	LED QUANTITY	MOUNTING	CABLE	FUNCTION	WATT	VOLTAGE	CERTYFICATES	PACKING/ WEIGHT
<ul style="list-style-type: none"> » Lens: PC » Housing: PC 	<ul style="list-style-type: none"> » 130 	<ul style="list-style-type: none"> » screw 	<ul style="list-style-type: none"> » 500mm 	<ul style="list-style-type: none"> » tail » stop » indicator » fog » reverse » reflector 	<ul style="list-style-type: none"> » 1,8W » 1,8W » 6,8W » 2,0W » 8,3W 	<ul style="list-style-type: none"> » 12V/24V 	<ul style="list-style-type: none"> » ECE R3 » ECE R6 » ECE R7 » ECE R10 » ECE R23 » ECE R38 	<ul style="list-style-type: none"> » cart. dim: 332x144x82mm » lamp weight: 780g » 12 pcs/bulk box

REAR LAMP LED NEON DYNAMIC INDICATOR TRIANGLE LEFT

Reference: FA37191

PHOTO AND TECHNICAL DRAWING:



DYNAMIC INDICATOR



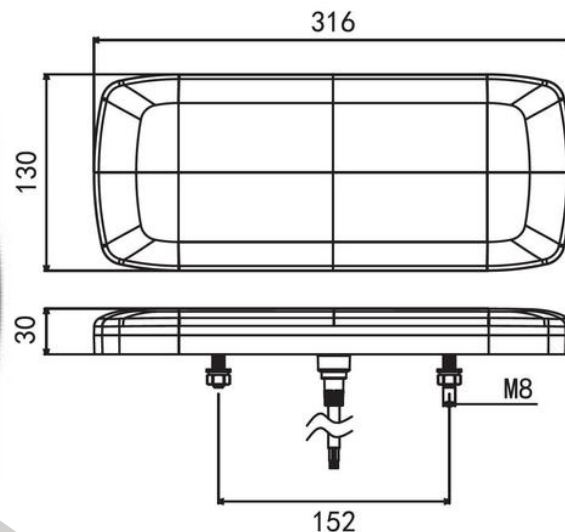
TECHNICAL SPECIFICATIONS:

MATERIAL	LED QUANTITY	MOUNTING	CABLE	FUNCTION	WATT	VOLTAGE	CERTYFICATES	PACKING/ WEIGHT
» Lens: PC » Housing: PC	» 104	» screw	» 500mm	» tail » stop » indicator » fog » reverse » reflector	» 1,8W » 1,8W » 6,8W » 2,0W » 8,3W	» 12V/24V	» ECE R3 » ECE R6 » ECE R7 » ECE R10 » ECE R23 » ECE R38	» cart. dim: 332x144x82mm » lamp weight: 780g » 12 pcs/bulk box

REAR LAMP LED NEON DYNAMIC INDICATOR TRIANGLE RIGHT

Reference: FA37192

PHOTO AND TECHNICAL DRAWING:



DYNAMIC INDICATOR



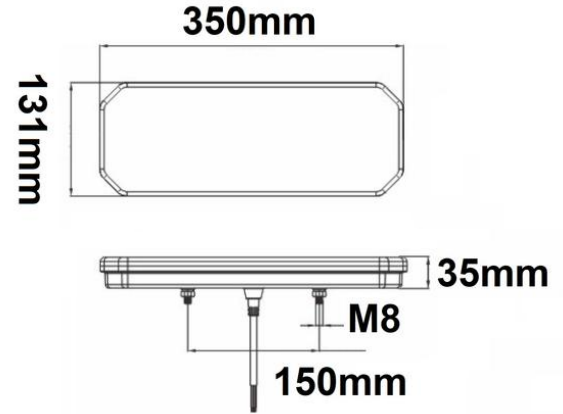
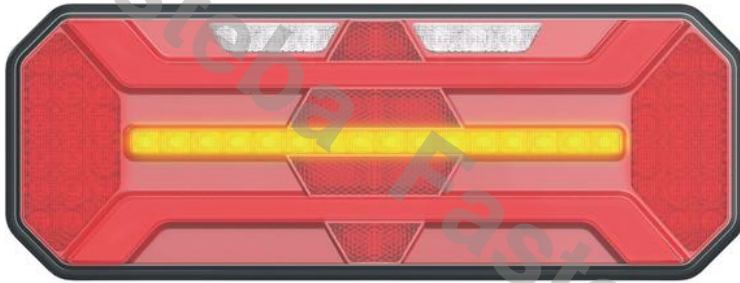
TECHNICAL SPECIFICATIONS:

MATERIAL	LED QUANTITY	MOUNTING	CABLE	FUNCTION	WATT	VOLTAGE	CERTYFICATES	PACKING/ WEIGHT
» Lens: PC » Housing: PC	» 104	» screw	» 500mm	» tail » stop » indicator » fog » reverse » reflector	» 1,8W » 1,8W » 6,8W » 2,0W » 8,3W	» 12V/24V	» ECE R3 » ECE R6 » ECE R7 » ECE R10 » ECE R23 » ECE R38	» cart. dim: 332x144x82mm » lamp weight: 780g » 12 pcs/bulk box

REAR LAMP LED DYNAMIC INDICATOR LEFT

Reference: FA37193

PHOTO AND TECHNICAL DRAWING:



TECHNICAL SPECIFICATIONS:

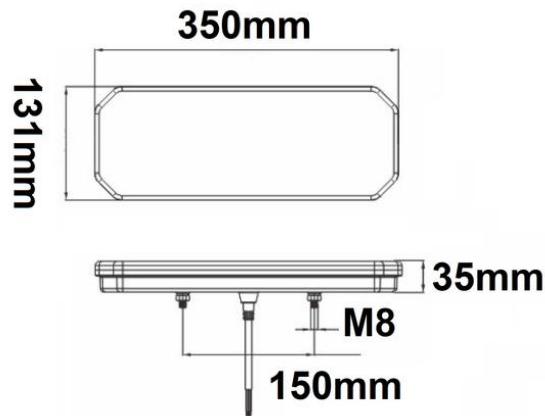
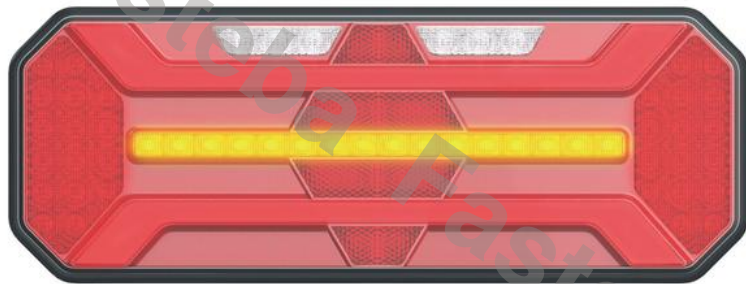


MATERIAL	LED QUANTITY	MOUNTING	CABLE	FUNCTION	WATT	VOLTAGE	CERTYFICATES	PACKING/ WEIGHT
<ul style="list-style-type: none"> » Lens: PC » Housing: PC 	<ul style="list-style-type: none"> » 74 	<ul style="list-style-type: none"> » screw 	<ul style="list-style-type: none"> » 450mm 	<ul style="list-style-type: none"> » tail » stop » indicator » fog » reverse » reflector 	<ul style="list-style-type: none"> » 4,6W » 1,5W » 6,1W » 4,7W » 2,3W 	<ul style="list-style-type: none"> » 12V/24V 	<ul style="list-style-type: none"> » ECE R3 » ECE R6 » ECE R7 » ECE R10 » ECE R23 » ECE R38 	<ul style="list-style-type: none"> » cart. dim: 360x140x87mm » lamp weight: 940g » 20 pcs/bulk box

REAR LAMP LED DYNAMIC INDICATOR RIGHT

Reference: FA37194

PHOTO AND TECHNICAL DRAWING:



TECHNICAL SPECIFICATIONS:

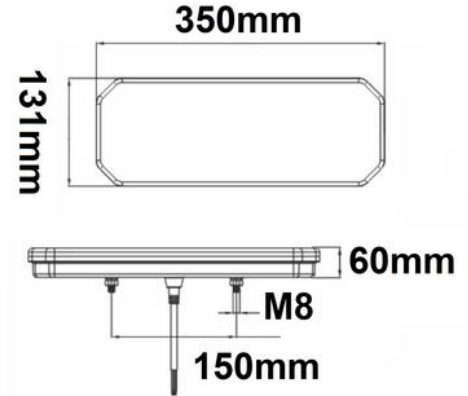


MATERIAL	LED QUANTITY	MOUNTING	CABLE	FUNCTION	WATT	VOLTAGE	CERTYFICATES	PACKING/ WEIGHT
<ul style="list-style-type: none"> » Lens: PC » Housing: PC 	<ul style="list-style-type: none"> » 74 	<ul style="list-style-type: none"> » screw 	<ul style="list-style-type: none"> » 450mm 	<ul style="list-style-type: none"> » tail » stop » indicator » fog » reverse » reflector 	<ul style="list-style-type: none"> » 4,6W » 1,5W » 6,1W » 4,7W » 2,3W 	<ul style="list-style-type: none"> » 12V/24V 	<ul style="list-style-type: none"> » ECE R3 » ECE R6 » ECE R7 » ECE R10 » ECE R23 » ECE R38 	<ul style="list-style-type: none"> » cart. dim: 360x140x87mm » lamp weight: 940g » 20 pcs/bulk box

REAR LAMP LED DYNAMIC INDICATOR + SML LEFT

Reference: FA37195

PHOTO AND TECHNICAL DRAWING:



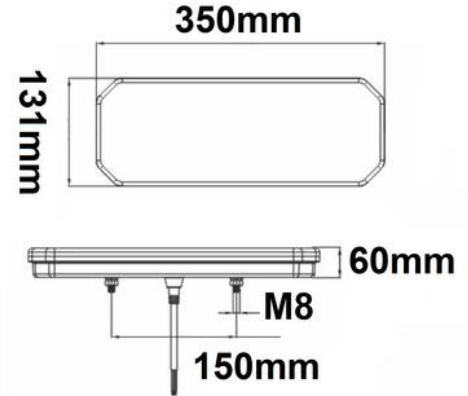
TECHNICAL SPECIFICATIONS:

MATERIAL	LED QUANTITY	MOUNTING	CABLE	FUNCTION	WATT	VOLTAGE	CERTYFICATES	PACKING/ WEIGHT
» Lens: PC » Housing: PC	» 80	» screw	» 450mm	» tail » stop » indicator » fog » reverse » side marker » NPL » reflector	» 4,6W » 1,5W » 6,1W » 4,7W » 2,3W » 0,45W » 0,6W	» 12V/24V	» ECE R3 » ECE R4 » ECE R6 » ECE R7 » ECE R10 » ECE R23 » ECE R38 » ECE R91	» cart. dim: 365x140x110 mm » lamp weight: 1180g » 16 pcs/bulk box

REAR LAMP LED DYNAMIC INDICATOR + SML RIGHT

Reference: FA37196

PHOTO AND TECHNICAL DRAWING:



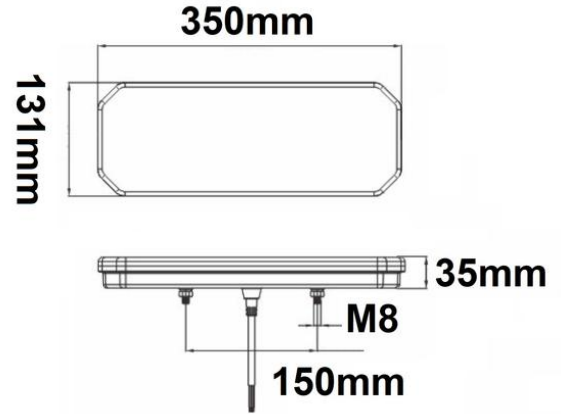
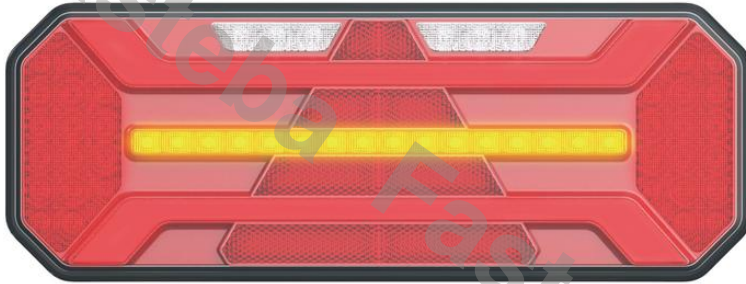
TECHNICAL SPECIFICATIONS:

MATERIAL	LED QUANTITY	MOUNTING	CABLE	FUNCTION	WATT	VOLTAGE	CERTYFICATES	PACKING/ WEIGHT
<ul style="list-style-type: none"> » Lens: PC » Housing: PC 	<ul style="list-style-type: none"> » 76 	<ul style="list-style-type: none"> » screw 	<ul style="list-style-type: none"> » 450mm 	<ul style="list-style-type: none"> » tail » stop » indicator » fog » reverse » side marker » reflector 	<ul style="list-style-type: none"> » 4,6W » 1,5W » 6,1W » 4,7W » 2,3W » 0,45W 	<ul style="list-style-type: none"> » 12V/24V 	<ul style="list-style-type: none"> » ECE R3 » ECE R6 » ECE R7 » ECE R10 » ECE R23 » ECE R38 » ECE R91 	<ul style="list-style-type: none"> » cart. dim: 365x140x110 mm » lamp weight: 940g » 16 pcs/bulk box

REAR LAMP LED DYNAMIC INDICATOR + TRIANGLE LEFT

Reference: FA37197

PHOTO AND TECHNICAL DRAWING:



TECHNICAL SPECIFICATIONS:

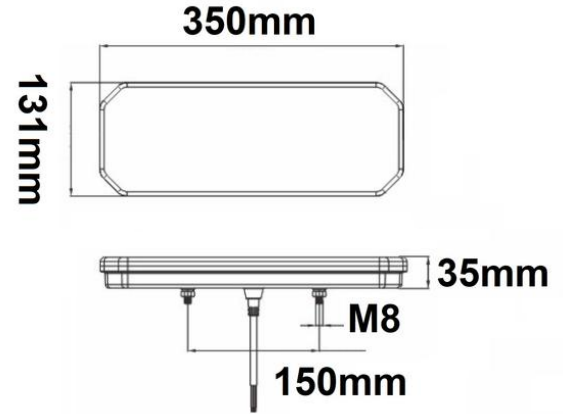
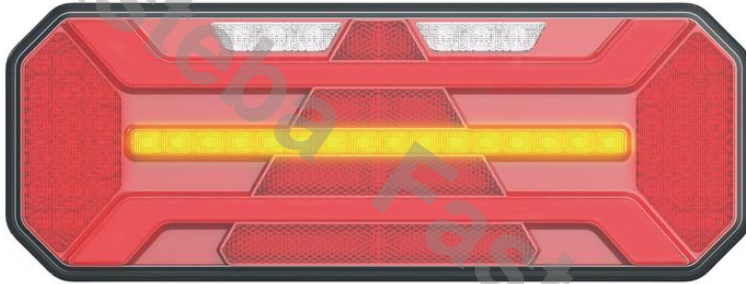


MATERIAL	LED QUANTITY	MOUNTING	CABLE	FUNCTION	WATT	VOLTAGE	CERTYFICATES	PACKING/ WEIGHT
» Lens: PC » Housing: PC	» 74	» screw	» 450mm	» tail » stop » indicator » fog » reverse » reflector	» 4,6W » 1,5W » 6,1W » 4,7W » 2,3W	» 12V/24V	» ECE R3 » ECE R6 » ECE R7 » ECE R10 » ECE R23 » ECE R38	» cart. dim: 360x140x87mm » lamp weight: 940g » 20 pcs/bulk box

REAR LAMP LED DYNAMIC INDICATOR + TRIANGLE LEFT

Reference: FA37198

PHOTO AND TECHNICAL DRAWING:



TECHNICAL SPECIFICATIONS:

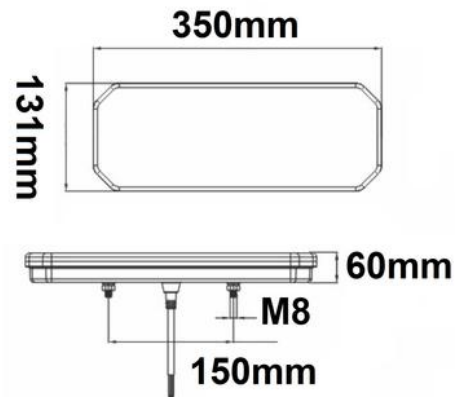


MATERIAL	LED QUANTITY	MOUNTING	CABLE	FUNCTION	WATT	VOLTAGE	CERTYFICATES	PACKING/ WEIGHT
» Lens: PC » Housing: PC	» 74	» screw	» 450mm	» tail » stop » indicator » fog » reverse » reflector	» 4,6W » 1,5W » 6,1W » 4,7W » 2,3W	» 12V/24V	» ECE R3 » ECE R6 » ECE R7 » ECE R10 » ECE R23 » ECE R38	» cart. dim: 360x140x87mm » lamp weight: 940g » 20 pcs/bulk box

REAR LAMP LED DYNAMIC INDICATOR SML TRIANGLE LEFT

Reference: FA37199

PHOTO AND TECHNICAL DRAWING:



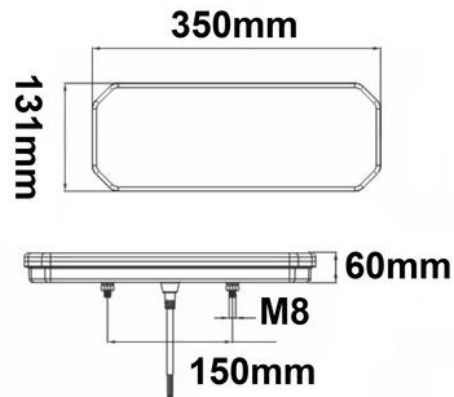
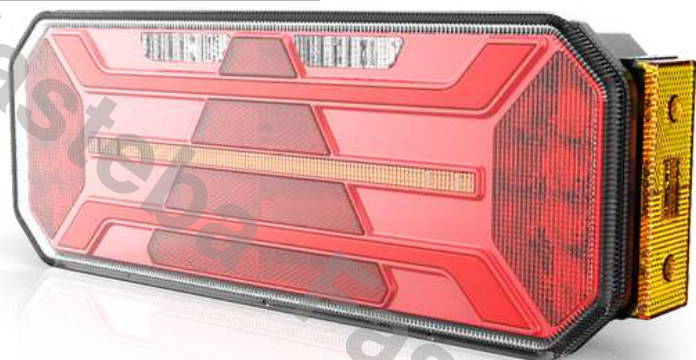
TECHNICAL SPECIFICATIONS:

MATERIAL	LED QUANTITY	MOUNTING	CABLE	FUNCTION	WATT	VOLTAGE	CERTYFICATES	PACKING/ WEIGHT
<ul style="list-style-type: none"> » Lens: PC » Housing: PC 	<ul style="list-style-type: none"> » 76 	<ul style="list-style-type: none"> » screw 	<ul style="list-style-type: none"> » 450mm 	<ul style="list-style-type: none"> » tail » stop » indicator » fog » reverse » side marker » reflector 	<ul style="list-style-type: none"> » 4,6W » 1,5W » 6,1W » 4,7W » 2,3W » 0,45W 	<ul style="list-style-type: none"> » 12V/24V 	<ul style="list-style-type: none"> » ECE R3 » ECE R6 » ECE R7 » ECE R10 » ECE R23 » ECE R38 » ECE R91 	<ul style="list-style-type: none"> » cart. dim: 365x140x110 mm » lamp weight: 1180g » 16 pcs/bulk box

REAR LAMP LED DYNAMIC INDICATOR SML TRIANGLE RIGHT

Reference: FA37200

PHOTO AND TECHNICAL DRAWING:



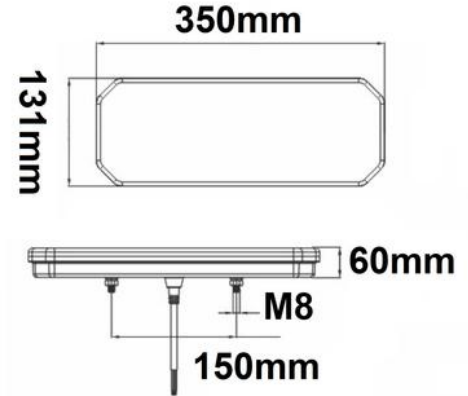
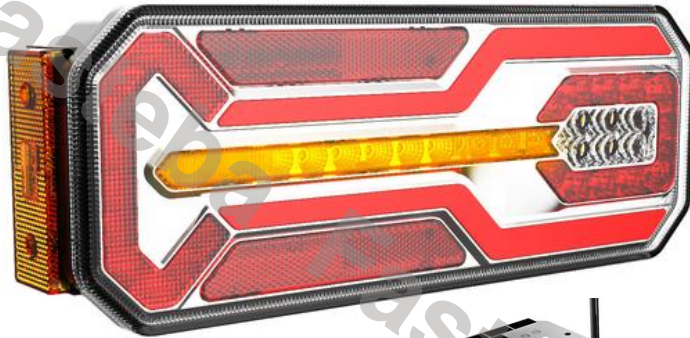
TECHNICAL SPECIFICATIONS:

MATERIAL	LED QUANTITY	MOUNTING	CABLE	FUNCTION	WATT	VOLTAGE	CERTYFICATES	PACKING/ WEIGHT
» Lens: PC » Housing: PC	» 76	» screw	» 450mm	» tail » stop » indicator » fog » reverse » side marker » reflector	» 4,6W » 1,5W » 6,1W » 4,7W » 2,3W » 0,45W	» 12V/24V	» ECE R3 » ECE R6 » ECE R7 » ECE R10 » ECE R23 » ECE R38 » ECE R91	» cart. dim: 365x140x110 mm » lamp weight: 1180g » 16 pcs/bulk box

REAR LAMP LED DYNAMIC INDICATOR + SML LEFT

Reference: FA37201

PHOTO AND TECHNICAL DRAWING:



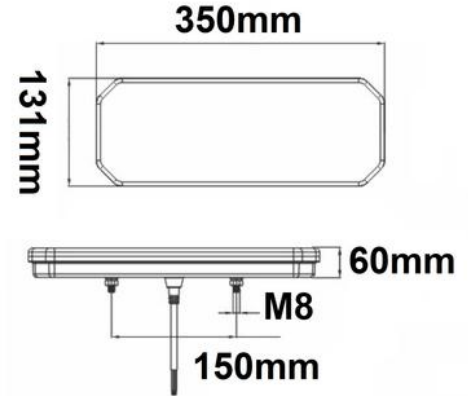
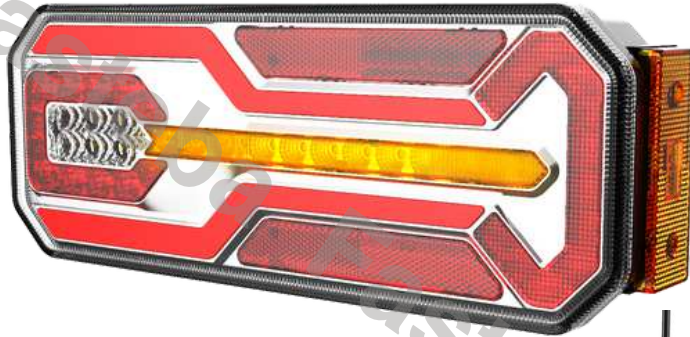
TECHNICAL SPECIFICATIONS:

MATERIAL	LED QUANTITY	MOUNTING	CABLE	FUNCTION	WATT	VOLTAGE	CERTYFICATES	PACKING/ WEIGHT
<ul style="list-style-type: none"> » Lens: PC » Housing: PC 	<ul style="list-style-type: none"> » 82 	<ul style="list-style-type: none"> » screw 	<ul style="list-style-type: none"> » 450mm 	<ul style="list-style-type: none"> » tail » stop » indicator » fog » reverse » side marker » NPL » reflector 	<ul style="list-style-type: none"> » 4,6W » 1,5W » 6,1W » 4,7W » 2,3W » 0,45W » 0,6W 	<ul style="list-style-type: none"> » 12V/24V 	<ul style="list-style-type: none"> » ECE R3 » ECE R4 » ECE R6 » ECE R7 » ECE R10 » ECE R23 » ECE R38 » ECE R91 	<ul style="list-style-type: none"> » cart. dim: 365x140x110 mm » lamp weight: 1180g » 16 pcs/bulk box

REAR LAMP LED DYNAMIC INDICATOR + SML RIGHT

Reference: FA37202

PHOTO AND TECHNICAL DRAWING:



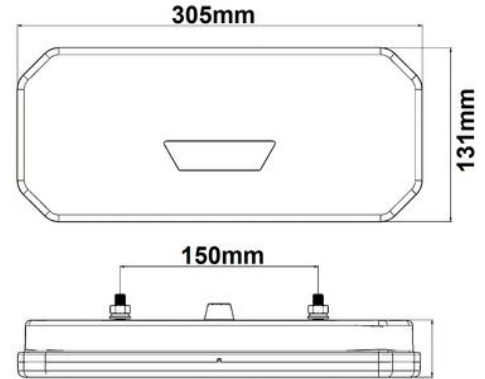
TECHNICAL SPECIFICATIONS:

MATERIAL	LED QUANTITY	MOUNTING	CABLE	FUNCTION	WATT	VOLTAGE	CERTYFICATES	PACKING/ WEIGHT
<ul style="list-style-type: none"> » Lens: PC » Housing: PC 	<ul style="list-style-type: none"> » 78 	<ul style="list-style-type: none"> » screw 	<ul style="list-style-type: none"> » 450mm 	<ul style="list-style-type: none"> » tail » stop » indicator » fog » reverse » side marker » reflector 	<ul style="list-style-type: none"> » 4,6W » 1,5W » 6,1W » 4,7W » 2,3W » 0,45W 	<ul style="list-style-type: none"> » 12V/24V 	<ul style="list-style-type: none"> » ECE R3 » ECE R6 » ECE R7 » ECE R10 » ECE R23 » ECE R38 » ECE R91 	<ul style="list-style-type: none"> » cart. dim: 365x140x110 mm » lamp weight: 1180g » 16 pcs/bulk box

REAR LAMP LED DYNAMIC INDICATOR LEFT

Reference: FA37203

PHOTO AND TECHNICAL DRAWING:



TECHNICAL SPECIFICATIONS:

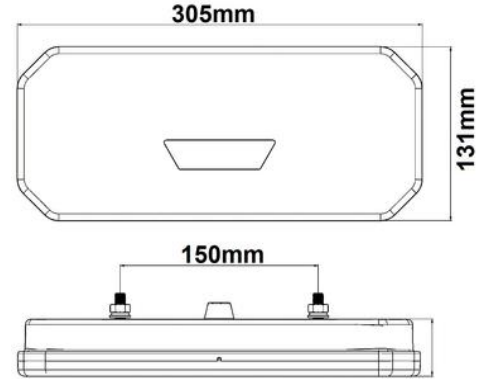


MATERIAL	LED QUANTITY	MOUNTING	WIRE	FUNCTION	WATT	VOLTAGE	CERTYFICATES	PACKING /WEIGHT
» Lens: PC » Housing: ABS	» 66	» screw	» 450mm	» tail » stop » indicator » fog » reverse » NPL » reflector	» 3,7W » 1,4W » 3,0W » 2,6W » 2,0W » 0,6W	» 12V/24V	» ECE R3 » ECE R4 » ECE R6 » ECE R7 » ECE R10 » ECE R23 » ECE R38	» cart. dim: 315x150x87mm » lamp weight: 900g » 16 pcs/bulk box

REAR LAMP LED DYNAMIC INDICATOR RIGHT

Reference: FA37204

PHOTO AND TECHNICAL DRAWING:



TECHNICAL SPECIFICATIONS:

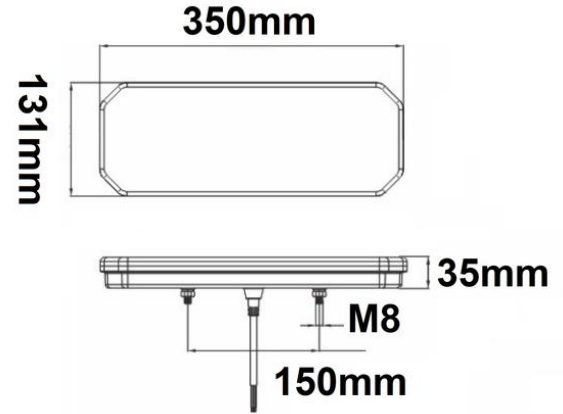
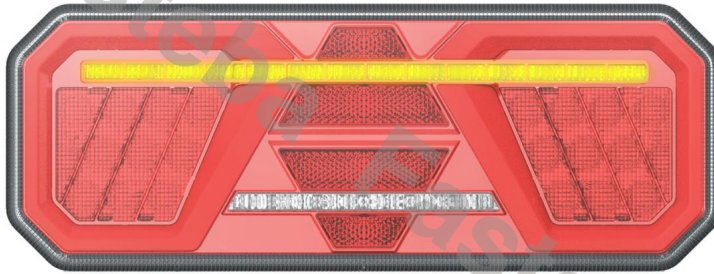


MATERIAL	LED QUANTITY	MOUNTING	WIRE	FUNCTION	WATT	VOLTAGE	CERTYFICATES	PACKING /WEIGHT
<ul style="list-style-type: none"> » Lens: PC » Housing: ABS 	<ul style="list-style-type: none"> » 66 	<ul style="list-style-type: none"> » screw 	<ul style="list-style-type: none"> » 450mm 	<ul style="list-style-type: none"> » tail » stop » indicator » fog » reverse » NPL » reflector 	<ul style="list-style-type: none"> » 3,7W » 1,4W » 3,0W » 2,6W » 2,0W » 0,6W 	<ul style="list-style-type: none"> » 12V/24V 	<ul style="list-style-type: none"> » ECE R3 » ECE R4 » ECE R6 » ECE R7 » ECE R10 » ECE R23 » ECE R38 	<ul style="list-style-type: none"> » cart. dim: 315x150x87mm » lamp weight: 900g » 16 pcs/bulk box

REAR LAMP LED DYNAMIC INDICATOR LEFT

Reference: FA37205

PHOTO AND TECHNICAL DRAWING:



TECHNICAL SPECIFICATIONS:

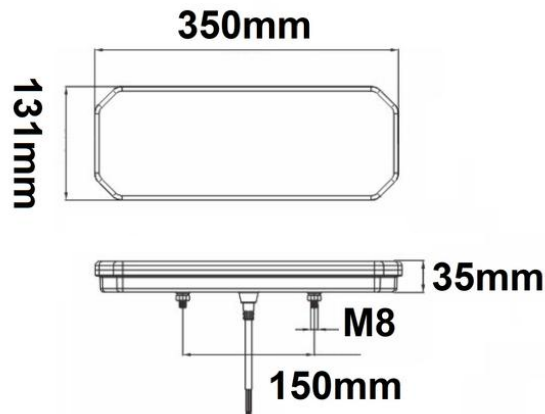
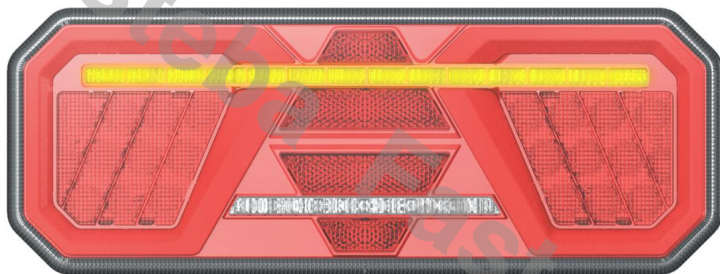


MATERIAL	LED QUANTITY	MOUNTING	CABLE	FUNCTION	WATT	VOLTAGE	CERTYFICATES	PACKING/ WEIGHT
<ul style="list-style-type: none"> » Lens: PC » Housing: PC 	<ul style="list-style-type: none"> » 74 	<ul style="list-style-type: none"> » screw 	<ul style="list-style-type: none"> » 450mm 	<ul style="list-style-type: none"> » tail » stop » indicator » fog » reverse » reflector 	<ul style="list-style-type: none"> » 3,5W » 1,4W » 3,0W » 2,6W » 2,0W 	<ul style="list-style-type: none"> » 12V/24V 	<ul style="list-style-type: none"> » ECE R3 » ECE R6 » ECE R7 » ECE R10 » ECE R23 » ECE R38 	<ul style="list-style-type: none"> » cart. dim: 360x140x87mm » lamp weight: 940g » 20 pcs/bulk box

REAR LAMP LED DYNAMIC INDICATOR RIGHT

Reference: FA37206

PHOTO AND TECHNICAL DRAWING:



TECHNICAL SPECIFICATIONS:

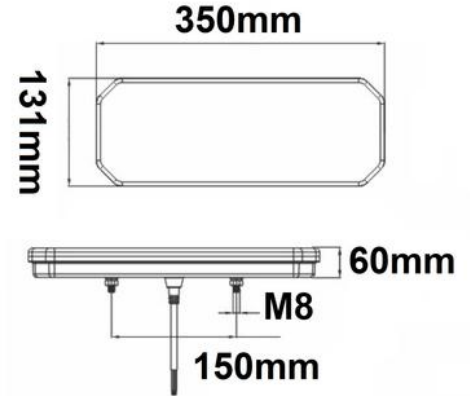


MATERIAL	LED QUANTITY	MOUNTING	CABLE	FUNCTION	WATT	VOLTAGE	CERTYFICATES	PACKING/ WEIGHT
<ul style="list-style-type: none"> » Lens: PC » Housing: PC 	<ul style="list-style-type: none"> » 74 	<ul style="list-style-type: none"> » screw 	<ul style="list-style-type: none"> » 450mm 	<ul style="list-style-type: none"> » tail » stop » indicator » fog » reverse » reflector 	<ul style="list-style-type: none"> » 3,5W » 1,4W » 3,0W » 2,6W » 2,0W 	<ul style="list-style-type: none"> » 12V/24V 	<ul style="list-style-type: none"> » ECE R3 » ECE R6 » ECE R7 » ECE R10 » ECE R23 » ECE R38 	<ul style="list-style-type: none"> » cart. dim: 360x140x87mm » lamp weight: 940g » 20 pcs/bulk box

REAR LAMP LED DYNAMIC INDICATOR + SML LEFT

Reference: FA37207

PHOTO AND TECHNICAL DRAWING:



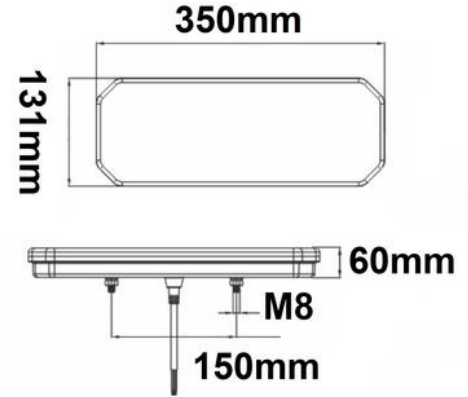
TECHNICAL SPECIFICATIONS:

MATERIAL	LED QUANTITY	MOUNTING	CABLE	FUNCTION	WATT	VOLTAGE	CERTYFICATES	PACKING/ WEIGHT
<ul style="list-style-type: none"> » Lens: PC » Housing: PC 	<ul style="list-style-type: none"> » 80 	<ul style="list-style-type: none"> » screw 	<ul style="list-style-type: none"> » 450mm 	<ul style="list-style-type: none"> » tail » stop » indicator » fog » reverse » side marker » NPL » reflector 	<ul style="list-style-type: none"> » 3,5W » 1,4W » 3,0W » 2,6W » 2,0W » 0,45W » 0,6W 	<ul style="list-style-type: none"> » 12V/24V 	<ul style="list-style-type: none"> » ECE R3 » ECE R4 » ECE R6 » ECE R7 » ECE R10 » ECE R23 » ECE R38 » ECE R91 	<ul style="list-style-type: none"> » cart. dim: 365x140x110 mm » lamp weight: 1180g » 16 pcs/bulk box

REAR LAMP LED DYNAMIC INDICATOR + SML RIGHT

Reference: FA37208

PHOTO AND TECHNICAL DRAWING:



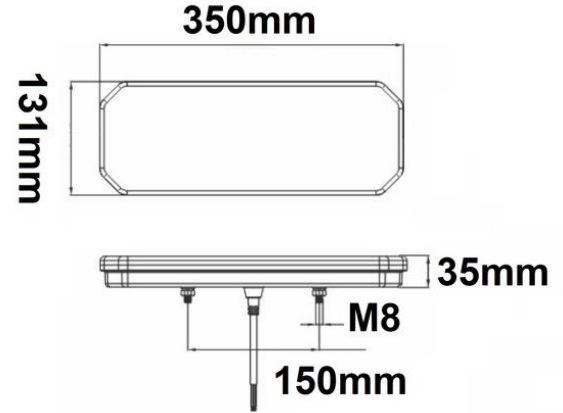
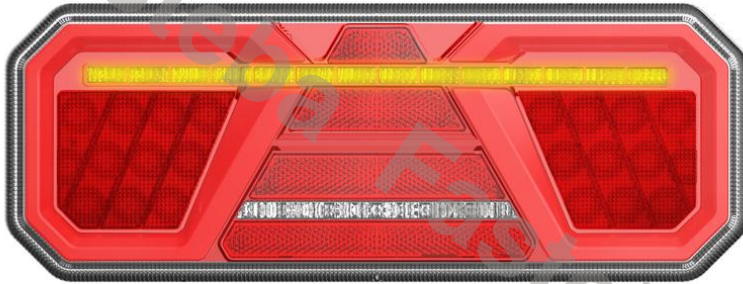
TECHNICAL SPECIFICATIONS:

MATERIAL	LED QUANTITY	MOUNTING	CABLE	FUNCTION	WATT	VOLTAGE	CERTYFICATES	PACKING/ WEIGHT
<ul style="list-style-type: none"> » Lens: PC » Housing: PC 	<ul style="list-style-type: none"> » 80 	<ul style="list-style-type: none"> » screw 	<ul style="list-style-type: none"> » 450mm 	<ul style="list-style-type: none"> » tail » stop » indicator » fog » reverse » side marker » NPL » reflector 	<ul style="list-style-type: none"> » 3,5W » 1,4W » 3,0W » 2,6W » 2,0W » 0,45W » 0,6W 	<ul style="list-style-type: none"> » 12V/24V 	<ul style="list-style-type: none"> » ECE R3 » ECE R4 » ECE R6 » ECE R7 » ECE R10 » ECE R23 » ECE R38 » ECE R91 	<ul style="list-style-type: none"> » cart. dim: 365x140x110 mm » lamp weight: 1180g » 16 pcs/bulk box

REAR LAMP LED DYNAMIC INDICATOR + TRIANGLE LEFT

Reference: FA37209

PHOTO AND TECHNICAL DRAWING:



TECHNICAL SPECIFICATIONS:

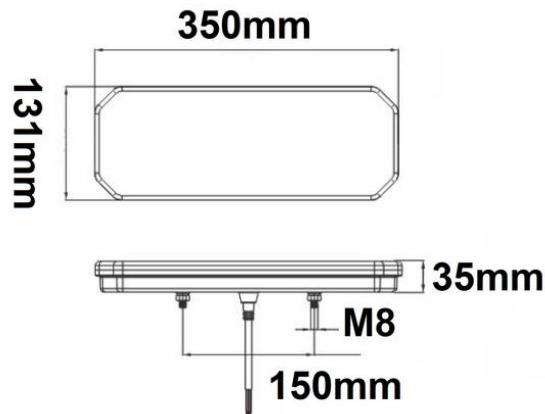


MATERIAL	LED QUANTITY	MOUNTING	CABLE	FUNCTION	WATT	VOLTAGE	CERTYFICATES	PACKING/ WEIGHT
» Lens: PC » Housing: PC	» 74	» screw	» 450mm	» tail » stop » indicator » fog » reverse » reflector	» 3,5W » 1,4W » 3,0W » 2,6W » 2,0W	» 12V/24V	» ECE R3 » ECE R6 » ECE R7 » ECE R10 » ECE R23 » ECE R38	» cart. dim: 360x140x87mm » lamp weight: 940g » 20 pcs/bulk box

REAR LAMP LED DYNAMIC INDICATOR + TRIANGLE RIGHT

Reference: FA37210

PHOTO AND TECHNICAL DRAWING:



TECHNICAL SPECIFICATIONS:

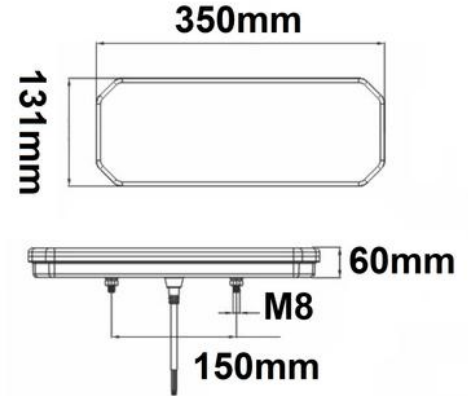


MATERIAL	LED QUANTITY	MOUNTING	CABLE	FUNCTION	WATT	VOLTAGE	CERTYFICATES	PACKING/ WEIGHT
<ul style="list-style-type: none"> » Lens: PC » Housing: PC 	<ul style="list-style-type: none"> » 74 	<ul style="list-style-type: none"> » screw 	<ul style="list-style-type: none"> » 450mm 	<ul style="list-style-type: none"> » tail » stop » indicator » fog » reverse » reflector 	<ul style="list-style-type: none"> » 3,5W » 1,4W » 3,0W » 2,6W » 2,0W 	<ul style="list-style-type: none"> » 12V/24V 	<ul style="list-style-type: none"> » ECE R3 » ECE R6 » ECE R7 » ECE R10 » ECE R23 » ECE R38 	<ul style="list-style-type: none"> » cart. dim: 360x140x87mm » lamp weight: 940g » 20 pcs/bulk box

REAR LAMP LED DYNAMIC INDICATOR SML TRIANGLE LEFT

Reference: FA37211

PHOTO AND TECHNICAL DRAWING:



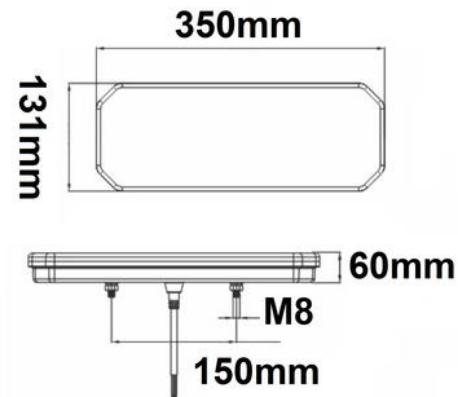
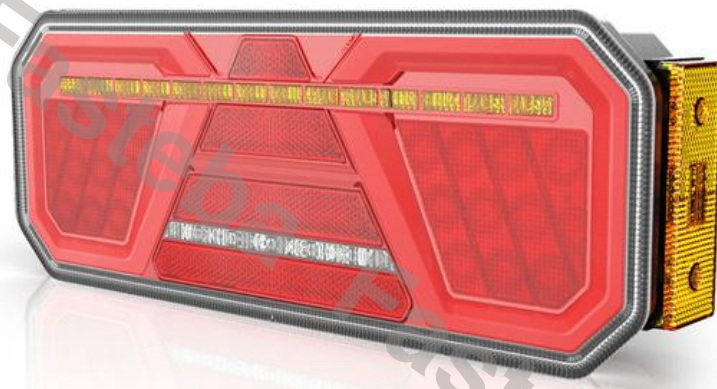
TECHNICAL SPECIFICATIONS:

MATERIAL	LED QUANTITY	MOUNTING	CABLE	FUNCTION	WATT	VOLTAGE	CERTYFICATES	PACKING/ WEIGHT
<ul style="list-style-type: none"> » Lens: PC » Housing: PC 	<ul style="list-style-type: none"> » 76 	<ul style="list-style-type: none"> » screw 	<ul style="list-style-type: none"> » 450mm 	<ul style="list-style-type: none"> » tail » stop » indicator » fog » reverse » side marker » reflector 	<ul style="list-style-type: none"> » 3,5W » 1,4W » 3,0W » 2,6W » 2,0W » 0,45W 	<ul style="list-style-type: none"> » 12V/24V 	<ul style="list-style-type: none"> » ECE R3 » ECE R6 » ECE R7 » ECE R10 » ECE R23 » ECE R38 » ECE R91 	<ul style="list-style-type: none"> » cart. dim: 365x140x110 mm » lamp weight: 1180g » 16 pcs/bulk box

REAR LAMP LED DYNAMIC INDICATOR SML TRIANGLE RIGHT

Reference: FA37212

PHOTO AND TECHNICAL DRAWING:



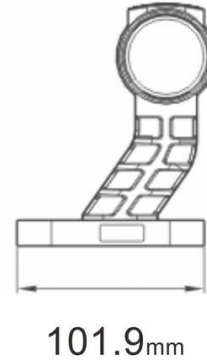
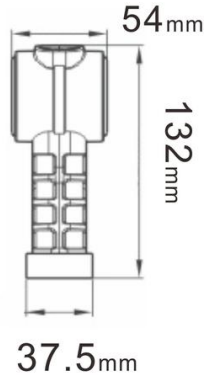
TECHNICAL SPECIFICATIONS:

MATERIAL	LED QUANTITY	MOUNTING	CABLE	FUNCTION	WATT	VOLTAGE	CERTYFICATES	PACKING/ WEIGHT
» Lens: PC » Housing: PC	» 76	» screw	» 450mm	» tail » stop » indicator » fog » reverse » side marker » reflector	» 3,5W » 1,4W » 3,0W » 2,6W » 2,0W » 0,45W	» 12V/24V	» ECE R3 » ECE R6 » ECE R7 » ECE R10 » ECE R23 » ECE R38 » ECE R91	» cart. dim: 365x140x110 mm » lamp weight: 1180g » 16 pcs/bulk box

SIDE MARKER LAMP LED LEFT

Reference: FA36167

PHOTO AND TECHNICAL DRAWING:



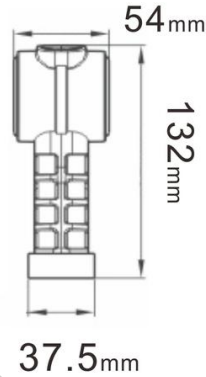
TECHNICAL SPECIFICATIONS:

MATERIAL	LED QUANTITY	MOUNTING	CABLE	FUNCTION	WATT	VOLTAGE	CERTYFICATES	PACKING/ WEIGHT
» Lens: PC » Housing: rubber	» 15	» screw	» 400mm	» front position » rear position » side marker	» 1,0W » 1,0W » 0,5W	» 12V/24V	» ECE R7 » ECE R10 » ECE R91	» cart. dim: 109x62x140 mm » lamp weight: 180g » 20 pcs/bulk box

SIDE MARKER LAMP LED RIGHT

Reference: FA36168

PHOTO AND TECHNICAL DRAWING:



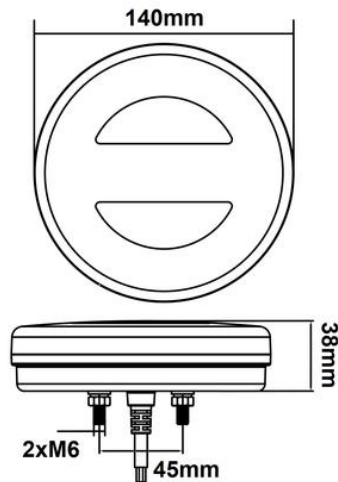
TECHNICAL SPECIFICATIONS:

MATERIAL	LED QUANTITY	MOUNTING	CABLE	FUNCTION	WATT	VOLTAGE	CERTYFICATES	PACKING/ WEIGHT
<ul style="list-style-type: none"> » Lens: PC » Housing: rubber 	<ul style="list-style-type: none"> » 15 	<ul style="list-style-type: none"> » screw 	<ul style="list-style-type: none"> » 400mm 	<ul style="list-style-type: none"> » front position » rear position » side marker 	<ul style="list-style-type: none"> » 1,0W » 1,0W » 0,5W 	<ul style="list-style-type: none"> » 12V/24V 	<ul style="list-style-type: none"> » ECE R7 » ECE R10 » ECE R91 	<ul style="list-style-type: none"> » cart. dim: 109x62x140 mm » lamp weight: 180g » 20 pcs/bulk box

REAR LAMP LED DYNAMIC INDICATOR RIGHT

Reference: FA37216

PHOTO AND TECHNICAL DRAWING:



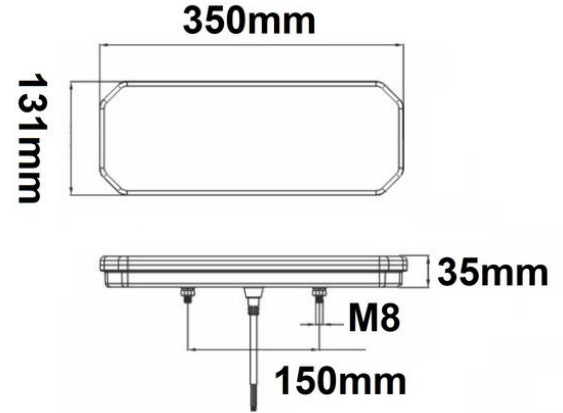
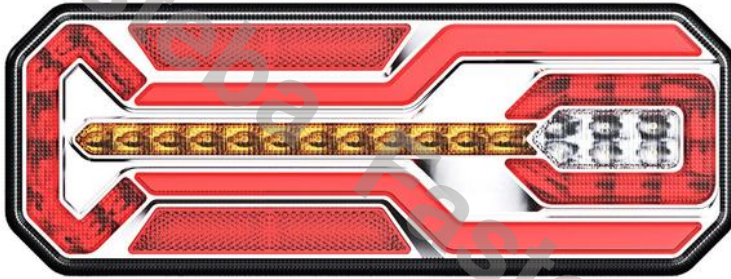
TECHNICAL SPECIFICATIONS:

MATERIAL	LED QUANTITY	MOUNTING	CABLE	FUNCTION	WATT	VOLTAGE	CERTYFICATES	PACKING/ WEIGHT
<ul style="list-style-type: none"> » Lens: PC » Housing: PC 	<ul style="list-style-type: none"> » 40 	<ul style="list-style-type: none"> » screw 	<ul style="list-style-type: none"> » 440mm 	<ul style="list-style-type: none"> » tail » stop » indicator » reflector 	<ul style="list-style-type: none"> » 1,2W » 2,2W » 4,4W 	<ul style="list-style-type: none"> » 12V/24V 	<ul style="list-style-type: none"> » ECE R3 » ECE R6 » ECE R7 » ECE R10 	<ul style="list-style-type: none"> » cart. dim: 148x148x66 mm » lamp weight: 360g » 20 pcs/bulk box

REAR LAMP LED DYNAMIC INDICATOR LEFT

Reference: FA37217

PHOTO AND TECHNICAL DRAWING:



TECHNICAL SPECIFICATIONS:

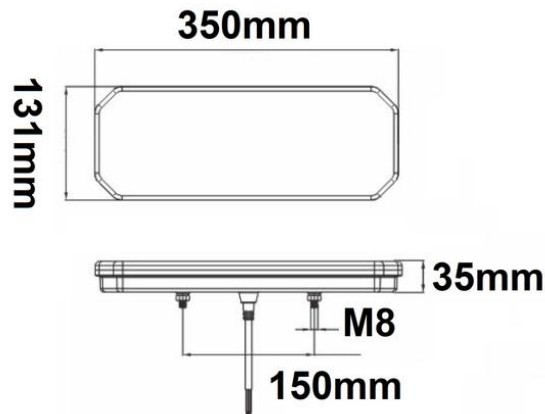
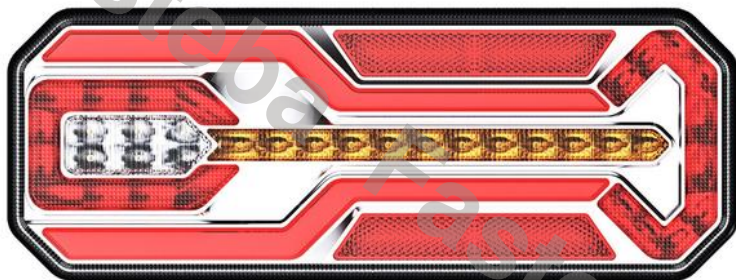


MATERIAL	LED QUANTITY	MOUNTING	CABLE	FUNCTION	WATT	VOLTAGE	CERTYFICATES	PACKING/ WEIGHT
» Lens: PC » Housing: PC	» 76	» screw	» 450mm	» tail » stop » indicator » fog » reverse » reflector	» 1,6W » 1,6W » 2,2W » 2,3W » 1,9W	» 12V/24V	» ECE R3 » ECE R6 » ECE R7 » ECE R10 » ECE R23 » ECE R38	» cart. dim: 360x140x87mm » lamp weight: 940g » 20 pcs/bulk box

REAR LAMP LED DYNAMIC INDICATOR RIGHT

Reference: FA37218

PHOTO AND TECHNICAL DRAWING:



TECHNICAL SPECIFICATIONS:

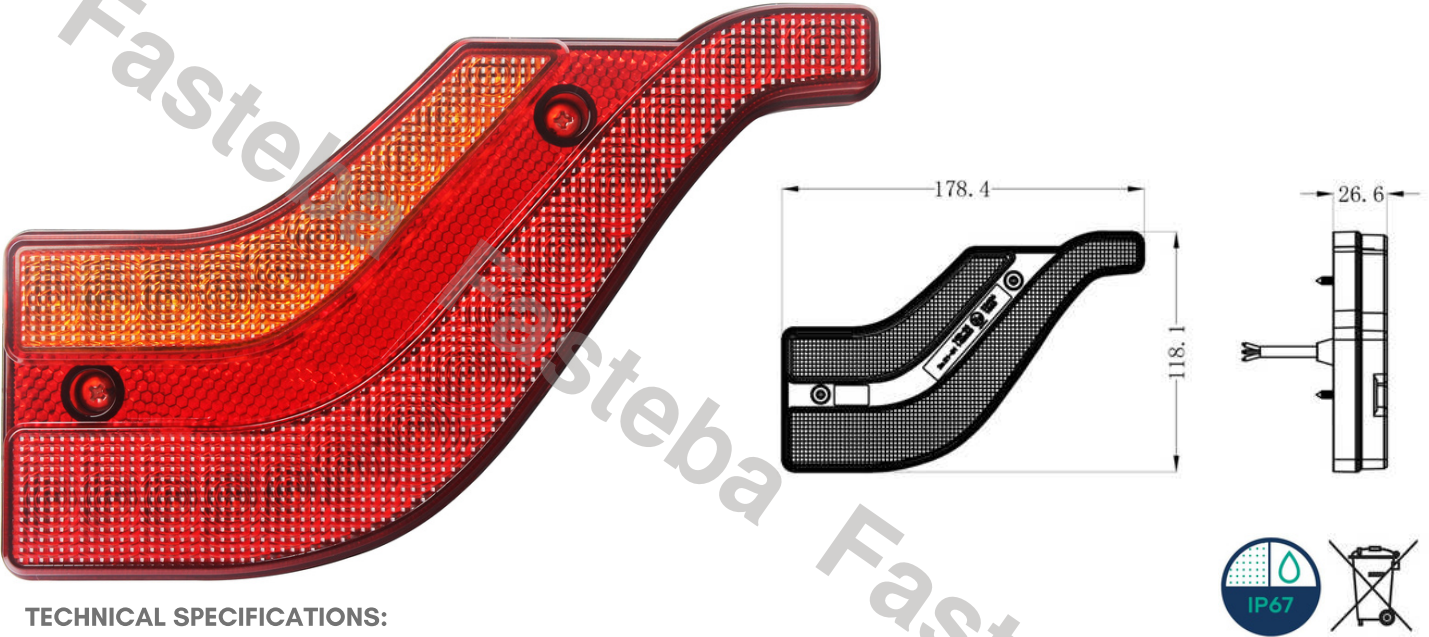


MATERIAL	LED QUANTITY	MOUNTING	CABLE	FUNCTION	WATT	VOLTAGE	CERTYFICATES	PACKING/ WEIGHT
<ul style="list-style-type: none"> » Lens: PC » Housing: PC 	<ul style="list-style-type: none"> » 76 	<ul style="list-style-type: none"> » screw 	<ul style="list-style-type: none"> » 450mm 	<ul style="list-style-type: none"> » tail » stop » indicator » fog » reverse » reflector 	<ul style="list-style-type: none"> » 1,6W » 1,6W » 2,2W » 2,3W » 1,9W 	<ul style="list-style-type: none"> » 12V/24V 	<ul style="list-style-type: none"> » ECE R3 » ECE R6 » ECE R7 » ECE R10 » ECE R23 » ECE R38 	<ul style="list-style-type: none"> » cart. dim: 360x140x87mm » lamp weight: 940g » 20 pcs/bulk box

TAIL LAMP LED 3-FUN. DYNAMIC INDICATOR LEFT

Reference: FA37219

PHOTO AND TECHNICAL DRAWING:



TECHNICAL SPECIFICATIONS:



MATERIAL	LED QUANTITY	MOUNTING	CABLE	FUNCTION	WATT	VOLTAGE	CERTYFICATES	PACKING/ WEIGHT
» Lens: PC » Housing: ABS	» 24	» screw	» 250mm	» tail » stop » indicator	» 0,5W » 3,1W » 2,1W	» 12V/24V	» ECE R148 » ECE R10	» cart. dim: 184x50x125 mm » lamp weight: 350g » 40 pcs/bulk box

SET LAMP PVC BOARD 1400MM TRIANGLE NPL

Reference: FA37220

PHOTO AND TECHNICAL DRAWING:



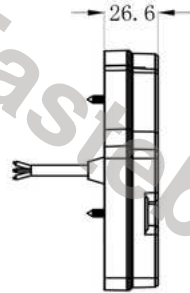
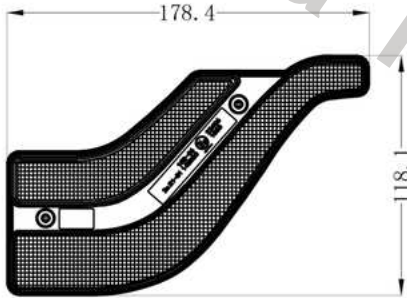
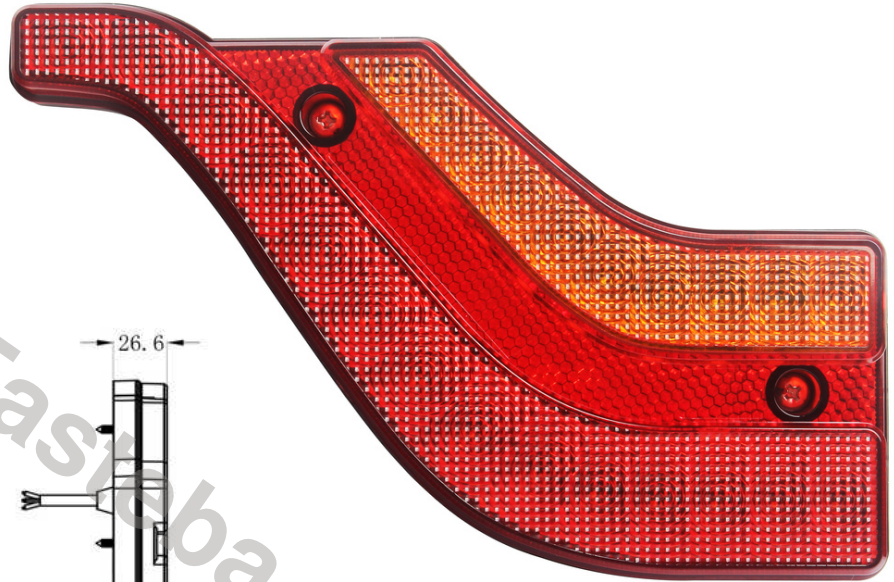
TECHNICAL SPECIFICATIONS:

MATERIAL	LED QUANTITY	MOUNTING	CABLE	FUNCTION	WATT	VOLTAGE	CERTYFICATES	PACKING/ WEIGHT
<ul style="list-style-type: none"> » Lens: PC » Housing: ABS 	<ul style="list-style-type: none"> » 2x28 	<ul style="list-style-type: none"> » screw 	<ul style="list-style-type: none"> » 7500mm 	<ul style="list-style-type: none"> » tail » stop » indicator » NPL 	<ul style="list-style-type: none"> » 0,5W » 3,1W » 2,1W » 1,5W 	<ul style="list-style-type: none"> » 12V/24V 	<ul style="list-style-type: none"> » ECE R3 » ECE R4 » ECE R10 » ECE R148 	<ul style="list-style-type: none"> » cart. dim: 1590x75x175 mm » lamp weight: 3000g » 1 pcs/bulk box

TAIL LAMP LED 3-FUN. DYNAMIC INDICATOR RIGHT

Reference: FA37221

PHOTO AND TECHNICAL DRAWING:



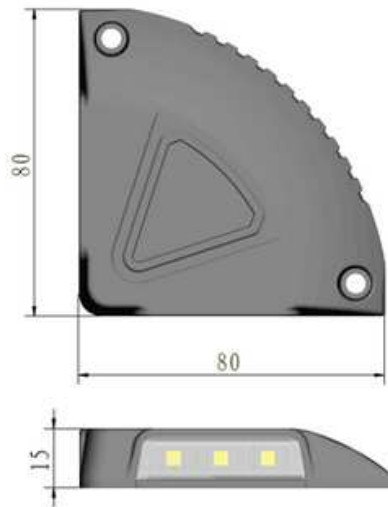
TECHNICAL SPECIFICATIONS:

MATERIAL	LED QUANTITY	MOUNTING	CABLE	FUNCTION	WATT	VOLTAGE	CERTYFICATES	PACKING/ WEIGHT
<ul style="list-style-type: none"> » Lens: PC » Housing: ABS 	<ul style="list-style-type: none"> » 24 	<ul style="list-style-type: none"> » screw 	<ul style="list-style-type: none"> » 250mm 	<ul style="list-style-type: none"> » tail » stop » indicator 	<ul style="list-style-type: none"> » 0,5W » 3,1W » 2,1W 	<ul style="list-style-type: none"> » 12V/24V 	<ul style="list-style-type: none"> » ECE R10 » ECE R148 	<ul style="list-style-type: none"> » cart. dim: 184x50x125 mm » lamp weight: 350g » 40 pcs/bulk box

WARNING LIGHT FOR REAR LIFTING BLACK

Reference: FA34088

PHOTO AND TECHNICAL DRAWING:



TECHNICAL SPECIFICATIONS:

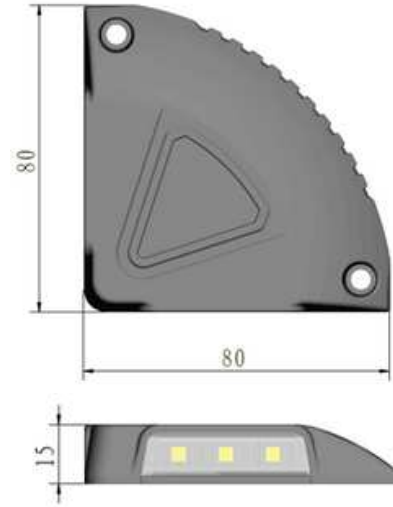


MATERIAL	QUANTITY LED/LM	MOUNTING	CABLE	FUNCTION	WATT	VOLTAGE	CERTIFICATES	PACKING/ WEIGHT
» Lens: PC » Housing: AL	» 4	» screw	» 400 mm	» Warning light for rear lifting	» 2W	» 12V/24V	» ECE R6 » ECE R10	» cart. dim.: 112x50x82 mm » lamp weight: 108g » 50 pcs/bulk box

WARNING LIGHT FOR REAR LIFTING SILVER

Reference: FA34089

PHOTO AND TECHNICAL DRAWING:



TECHNICAL SPECIFICATIONS:

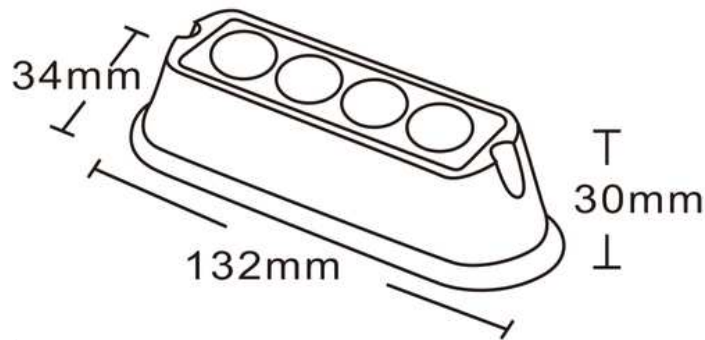


MATERIAL	QUANTITY LED/LM	MOUNTING	CABLE	FUNCTION	WATT	VOLTAGE	CERTIFICATES	PACKING/ WEIGHT
» Lens: PC » Housing: AL	» 4	» screw	» 400 mm	» Warning light for rear lifting	» 2W	» 12V/24V	» ECE R6 » ECE R10	» cart. dim.: 112x50x82 mm » lamp weight: 108g » 50 pcs/bulk box

LED STROBO LIGHT 4X LED 12/24V ORANGE R65 R10

Reference: FA36169

PHOTO AND TECHNICAL DRAWING:



TECHNICAL SPECIFICATIONS:



Amber

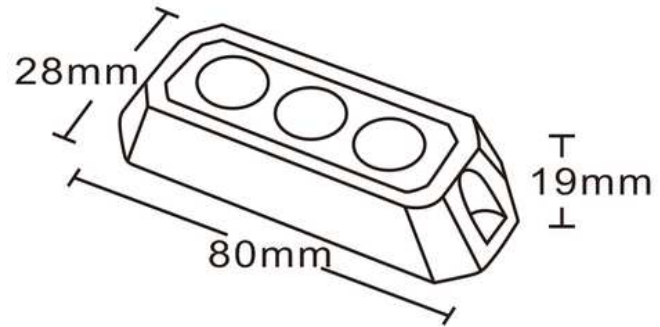


MATERIAL	LED QUANTITY	MOUNTING	WIRE	FUNCTION	WATT	VOLTAGE	CERTYFICATES	PACKING/ WEIGHT
<ul style="list-style-type: none"> » Lens: PC » Housing: AL 	<ul style="list-style-type: none"> » 4 	<ul style="list-style-type: none"> » screw 	<ul style="list-style-type: none"> » 200mm 	<ul style="list-style-type: none"> » 3 warning flashes 	<ul style="list-style-type: none"> » 12W 	<ul style="list-style-type: none"> » 12V/24V 	<ul style="list-style-type: none"> » ECE R10 » ECE R65 	<ul style="list-style-type: none"> » cart. dim: 150x60x50 mm » lamp weight: 140g » 50 pcs/bulk box

STROBO LAMP 3X LED ORANGE R10

Reference: FA36177

PHOTO AND TECHNICAL DRAWING:



TECHNICAL SPECIFICATIONS:

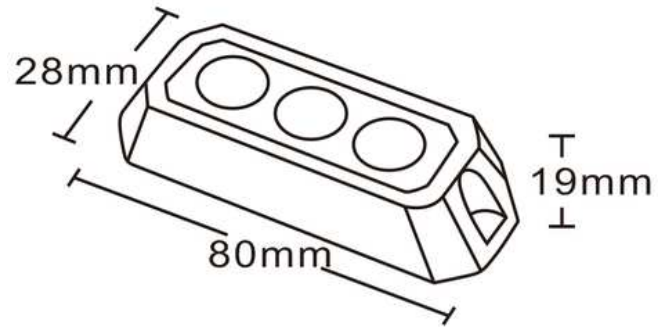


MATERIAL	QUANTITY LED	MOUNTING	CABLE	FUNCTION	WATT	VOLTAGE	CERTIFICATES	PACKING/WEIGHT
» Lens: PC » Housing: AL	» 3	» screw	» 200mm	» 4 warning flashes	» 9W	» 12V/24V	» ECE R10 » CE	» cart. dim.: 150x60x50mm » lamp weight: 70g » 50 pcs/bulk box

STROBO LAMP 3X LED ORANGE R10 + 5M CABEL

Reference: FA36178

PHOTO AND TECHNICAL DRAWING:



TECHNICAL SPECIFICATIONS:

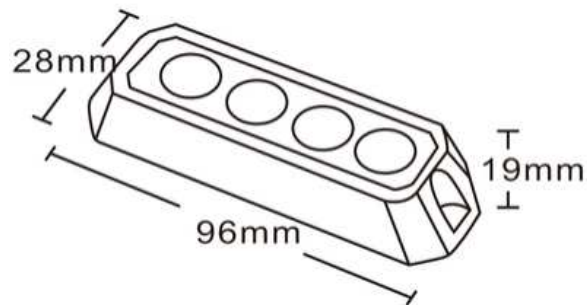


MATERIAL	QUANTITY LED	MOUNTING	CABLE	FUNCTION	WATT	VOLTAGE	CERTIFICATES	PACKING/WEIGHT
<ul style="list-style-type: none"> » Lens: PC » Housing: AL 	<ul style="list-style-type: none"> » 3 	<ul style="list-style-type: none"> » screw 	<ul style="list-style-type: none"> » 5000mm 	<ul style="list-style-type: none"> » 4 warning flashes 	<ul style="list-style-type: none"> » 9w 	<ul style="list-style-type: none"> » 12V/24V 	<ul style="list-style-type: none"> » ECE R10 » CE 	<ul style="list-style-type: none"> » cart. dim.: 110x90x140 mm » lamp weight: 300g » 50 pcs/bulk box

LED STROBO LIGHT 4X LED ORANGE R65 R10

Reference: FA36179

PHOTO AND TECHNICAL DRAWING:



TECHNICAL SPECIFICATIONS:

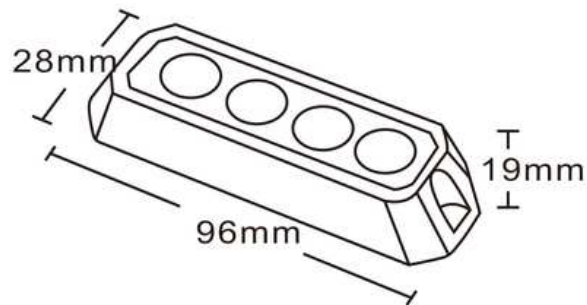


MATERIAL	QUANTITY LED	MOUNTING	CABLE	FUNCTION	WATT	VOLTAGE	CERTIFICATES	PACKING/WEIGHT
» Lens: PC » Housing: AL	» 4	» screw	» 200mm	» 4 warning flashes	» 12W	» 12V/24V	» ECE R10 » ECE R65	» cart. dim.: 150x60x50 mm » lamp weight: 70g » 50 pcs/bulk box

LED STROBO LAMP 4X LED WHITE R10

Reference: FA36180

PHOTO AND TECHNICAL DRAWING:



TECHNICAL SPECIFICATIONS:

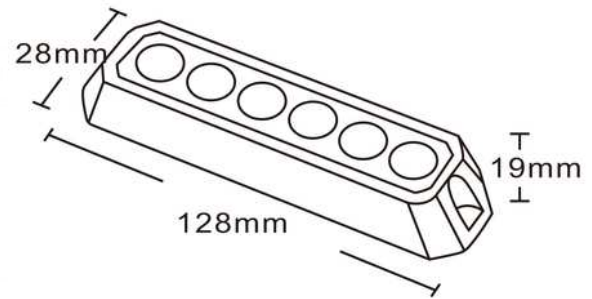
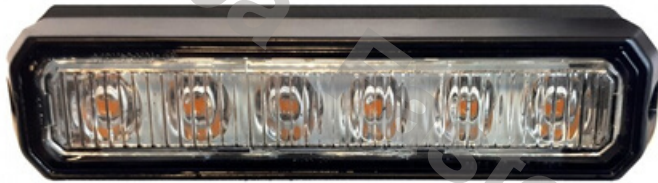


MATERIAL	QUANTITY LED	MOUNTING	CABLE	FUNCTION	WATT	VOLTAGE	CERTIFICATES	PACKING/WEIGHT
» Lens: PC » Housing: AL	» 4	» screw	» 200mm	» 26 warning flashes	» 12W	» 12V/24V	» ECE R10	» cart. dim.: 150x60x50 mm » lamp weight: 70g » 50 pcs/bulk box

LED STROBO LIGHT 6XLED ORANGE R65 R10

Reference: FA36181

PHOTO AND TECHNICAL DRAWING:



TECHNICAL SPECIFICATIONS:



Amber

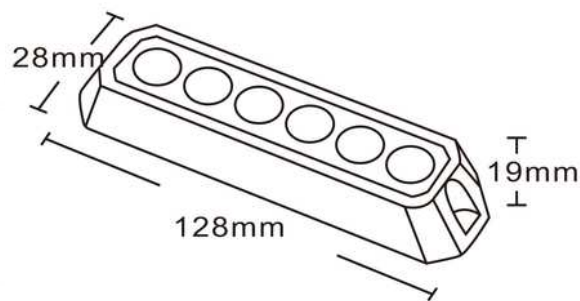


MATERIAL	QUANTITY LED	MOUNTING	CABLE	FUNCTION	WATT	VOLTAGE	CERTIFICATES	PACKING/ WEIGHT
<ul style="list-style-type: none"> » Lens: PC » Housing: AL 	<ul style="list-style-type: none"> » 6 	<ul style="list-style-type: none"> » screw 	<ul style="list-style-type: none"> » 200mm 	<ul style="list-style-type: none"> » 3 warning flashes 	<ul style="list-style-type: none"> » 12W 	<ul style="list-style-type: none"> » 12V/24V 	<ul style="list-style-type: none"> » ECE R10 » ECE R65 	<ul style="list-style-type: none"> » cart. dim.: 150x60x50 mm » lamp weight: 90g » 50 pcs/bulk box

LED STROBO LAMP 4X LED WHITE R10

Reference: FA36182

PHOTO AND TECHNICAL DRAWING:



TECHNICAL SPECIFICATIONS:

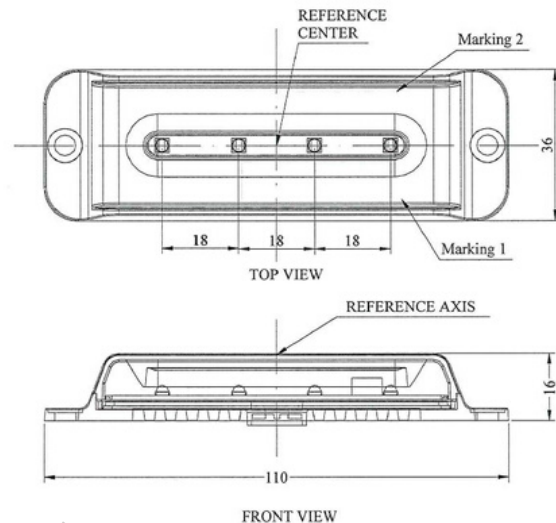


MATERIAL	QUANTITY LED	MOUNTING	CABLE	FUNCTION	WATT	VOLTAGE	CERTIFICATES	PACKING/WEIGHT
» Lens: PC » Housing: AL	» 6	» screw	» 200mm	» 26 warning flashes	» 12W	» 12V/24V	» ECE R10	» cart. dim.: 150x60x50 mm » lamp weight: 90g » 50 pcs/bulk box

LAMPA STROBO 4 LED BLUE R10 R65

Reference: FA36183

PHOTO AND TECHNICAL DRAWING:



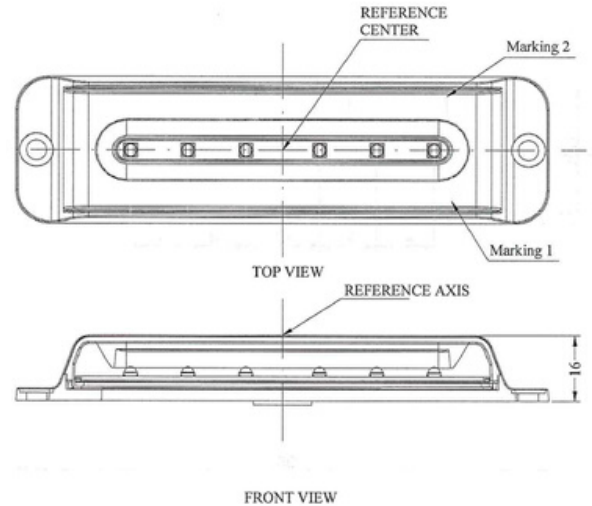
TECHNICAL SPECIFICATIONS:

MATERIAL	QUANTITY LED	MOUNTING	WIRE	FUNCTION	WATT	VOLTAGE	CERTYFICATES	PACKING/ WEIGHT
» Lens: PMMA » Housing: AL	» 4	» screw	» 150mm	» 2 warning flash	» 13W	» 12V/24V	» ECE R10 » ECE R65	» cart. dim: 150x50x40 mm » lamp weight: 70g » 50 psc/bulk box

LAMPA STROBO 6 LED BLUE R10 R65

Reference: FA36184

PHOTO AND TECHNICAL DRAWING:



TECHNICAL SPECIFICATIONS:



Blue



MATERIAL	QUANTITY LED	MOUNTING	WIRE	FUNCTION	WATT	VOLTAGE	CERTYFICATES	PACKING/ WEIGHT
<ul style="list-style-type: none"> » Lens: PMMA » Housing: AL 	» 6	» screw	» 150mm	» 2 warning flash	» 11W	» 12V/24V	<ul style="list-style-type: none"> » ECE R10 » ECE R65 	<ul style="list-style-type: none"> » cart. dim: 150x50x40 mm » lamp weight: 100g » 50 psc/bulk box

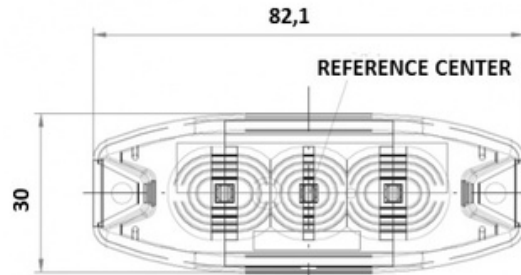
LED STROBO LIGHT 3X LED SLIM

Reference: FA36185

PHOTO AND TECHNICAL DRAWING:



TOP VIEW



FRONT VIEW



Amber



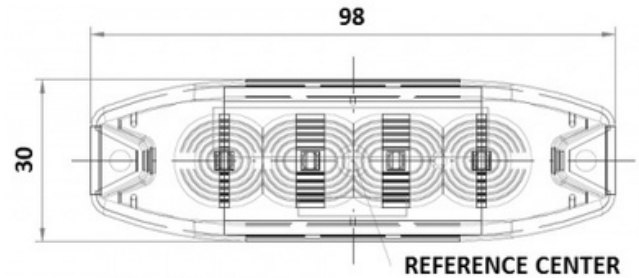
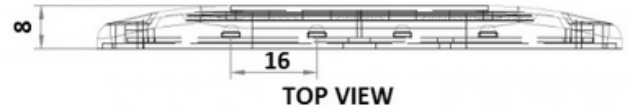
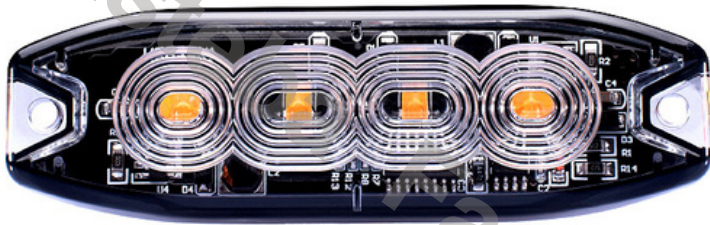
TECHNICAL SPECIFICATIONS:

MATERIAL	LED QUANTITY	MOUNTING	WIRE	FUNCTION	WATT	VOLTAGE	CERTYFICATES	PACKING/WEIGHT
<ul style="list-style-type: none"> » Lens: PMMA » Housing: AL 	<ul style="list-style-type: none"> » 3 	<ul style="list-style-type: none"> » screw 	<ul style="list-style-type: none"> » 150mm 	<ul style="list-style-type: none"> » 3 warning flashes 	<ul style="list-style-type: none"> » 8W 	<ul style="list-style-type: none"> » 12V/24V 	<ul style="list-style-type: none"> » ECE R10 » ECE R65 	<ul style="list-style-type: none"> » cart. dim: 140x50x40 mm » lamp weight: 30g » 50 pcs/bulk box

LED STROBO LIGHT 4X LED SLIM

Reference: FA36186

PHOTO AND TECHNICAL DRAWING:



FRONT VIEW



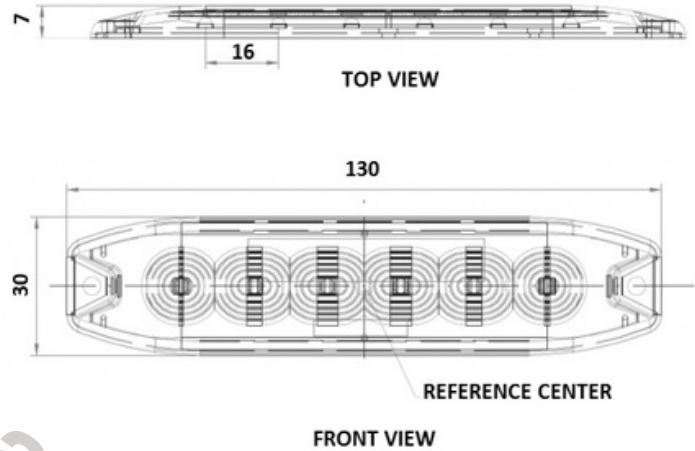
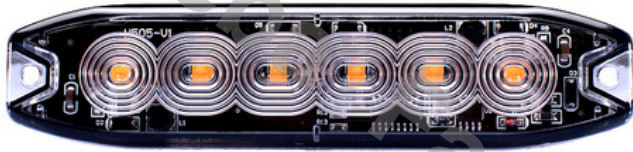
TECHNICAL SPECIFICATIONS:

MATERIAL	LED QUANTITY	MOUNTING	WIRE	FUNCTION	WATT	VOLTAGE	CERTYFICATES	PACKING/ WEIGHT
» Lens: PMMA » Housing: AL	» 4	» screw	» 150mm	» 3 warning flashes	» 9W	» 12V/24V	» ECE R10 » ECE R65	» cart. dim: 140x50x40 mm » lamp weight: 30g » 50 pcs/bulk box

LED STROBO LIGHT 6X LED SLIM

Reference: FA36187

PHOTO AND TECHNICAL DRAWING:



TECHNICAL SPECIFICATIONS:

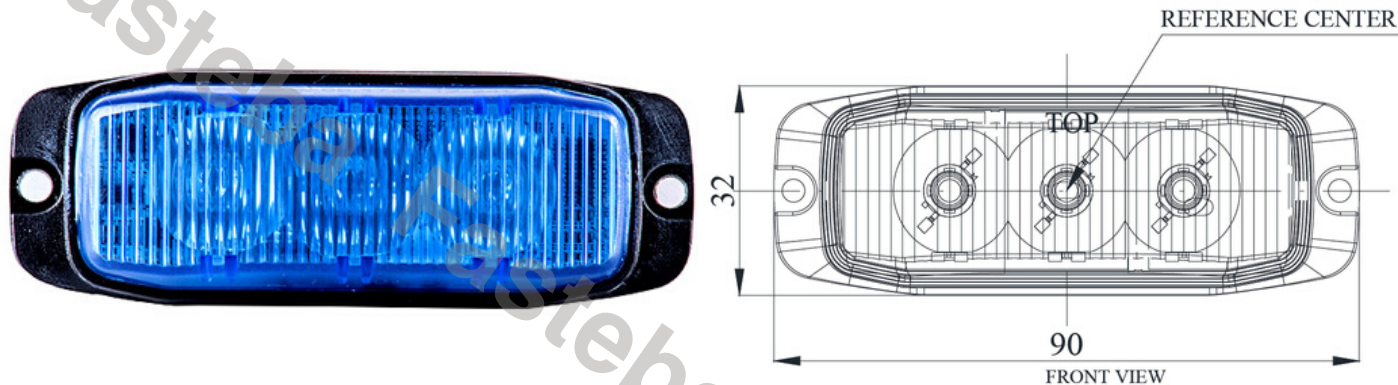


MATERIAL	LED QUANTITY	MOUNTING	WIRE	FUNCTION	WATT	VOLTAGE	CERTYFICATES	PACKING/WEIGHT
<ul style="list-style-type: none"> » Lens: PMMA » Housing: AL 	<ul style="list-style-type: none"> » 6 	<ul style="list-style-type: none"> » screw 	<ul style="list-style-type: none"> » 150mm 	<ul style="list-style-type: none"> » 3 warning flashes 	<ul style="list-style-type: none"> » 9W 	<ul style="list-style-type: none"> » 12V/24V 	<ul style="list-style-type: none"> » ECE R10 » ECE R65 	<ul style="list-style-type: none"> » cart. dim: 140x50x40 mm » lamp weight: 30g » 50 pcs/bulk box

LED STROBO LIGHT SPECIAL VEHICLES 3XLED BLUE R10 R65

Reference: FA36188

PHOTO AND TECHNICAL DRAWING:



TECHNICAL SPECIFICATIONS:

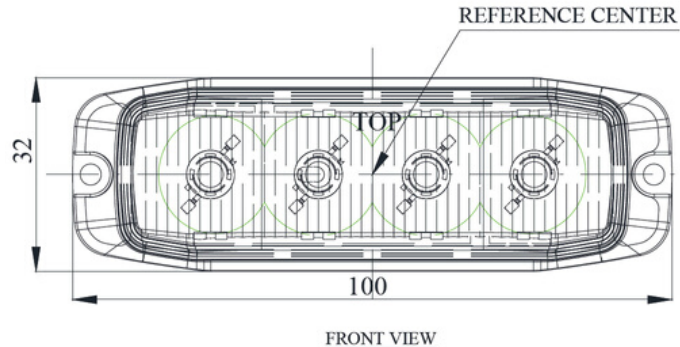
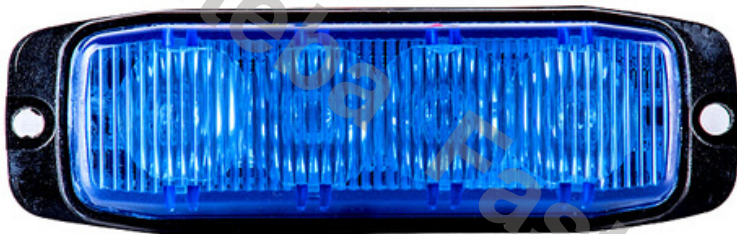


MATERIAL	QUANTITY LED	MOUNTING	WIRE	FUNCTION	WATT	VOLTAGE	CERTYFICATES	PACKING/ WEIGHT
» Lens: PC » Housing: AL	» 3	» screw	» 150mm	» 1 warning flash	» 4,5-11W	» 12V/24V	» ECE R10 » ECE R65	» cart. dim: 140x50x40 mm » lamp weight: 40g » 50 psc/bulk box

LED STROBO LIGHT SPECIAL VEHICLES 4XLED BLUE R10 R65

Reference: FA36189

PHOTO AND TECHNICAL DRAWING:



TECHNICAL SPECIFICATIONS:

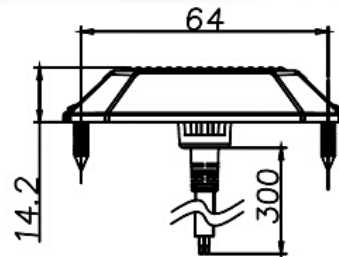
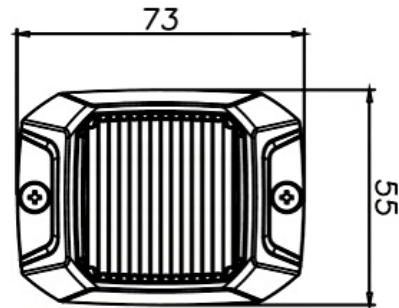


MATERIAL	QUANTITY LED	MOUNTING	WIRE	FUNCTION	WATT	VOLTAGE	CERTYFICATES	PACKING/WEIGHT
» Lens: PC » Housing: AL	» 4	» screw	» 150mm	» 1 warning flash	» 7-17W	» 12V/24V	» ECE R10 » ECE R65	» cart. dim: 140x50x40 mm » lamp weight: 50g » 50 psc/bulk box

LED STROBE LAMP 10W AMBER R10 R65 XA2

Reference: FA36190

PHOTO AND TECHNICAL DRAWING:



Amber



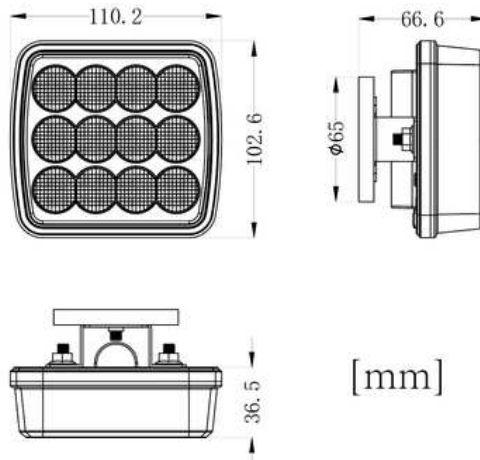
TECHNICAL SPECIFICATIONS:

MATERIAL	LED QUANTITY	MOUNTING	WIRE	FUNCTION	WATT	VOLTAGE	CERTYFICATES	PACKING/ WEIGHT
<ul style="list-style-type: none"> » Lens: PC » Housing: AL 	<ul style="list-style-type: none"> » 4 	<ul style="list-style-type: none"> » screw 	<ul style="list-style-type: none"> » 300mm 	<ul style="list-style-type: none"> » 1 warning flash » two level of intensity, day and night 	<ul style="list-style-type: none"> » 10W 	<ul style="list-style-type: none"> » 12V/24V 	<ul style="list-style-type: none"> » ECE R10 » ECE R65 	<ul style="list-style-type: none"> » cart. dim: 60x60x85mm » lamp weight: 88g » 50 pcs/bulk box

LED STROBO LIGHT 12XLED 12/24V MAGNET

Reference: FA31691

PHOTO AND TECHNICAL DRAWING:



TECHNICAL SPECIFICATIONS:



MATERIAL	LED QUANTITY	MOUNTING	CABLE	FUNCTION	WATT	VOLTAGE	CERTIFICATES	PACKING/WEIGHT
<ul style="list-style-type: none"> » Lens: PC » Housing: ABS 	<ul style="list-style-type: none"> » 12 	<ul style="list-style-type: none"> » magnet 	<ul style="list-style-type: none"> » 3,5m spiral cable with plug for lighter socket 	<ul style="list-style-type: none"> » 1 warning flash, 	<ul style="list-style-type: none"> » 5W 	<ul style="list-style-type: none"> » 12V/24V 	<ul style="list-style-type: none"> » ECE R65 » ECE R10 	<ul style="list-style-type: none"> » cart. dim.: 140x75x115 mm » lamp weight: 500g » 20 pcs/bulk box