



Fasteba



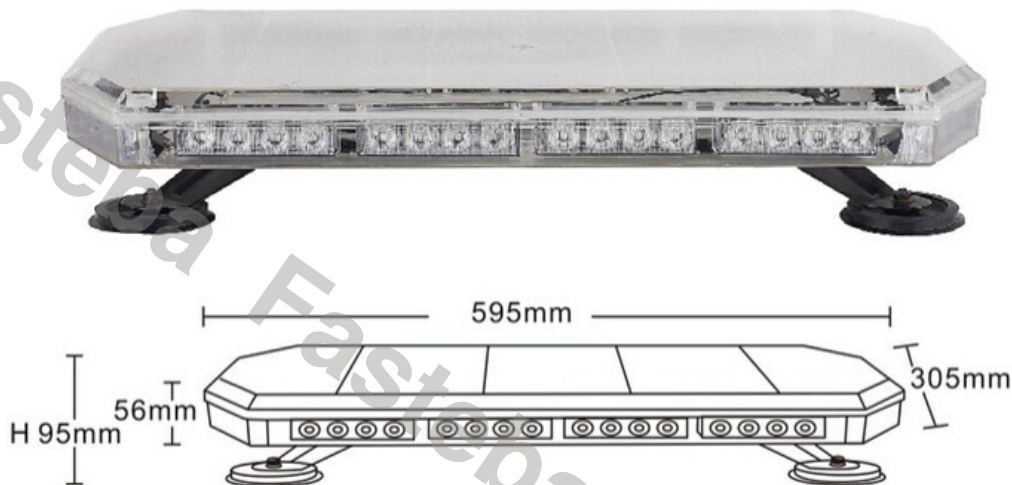
Ledverlichting

Contact informatie
www.fasteba.com
info@fasteba.com

WARNING MINI BAR LED 595X305X56MM R65 R10

Reference: FA35084

PHOTO AND TECHNICAL DRAWING:



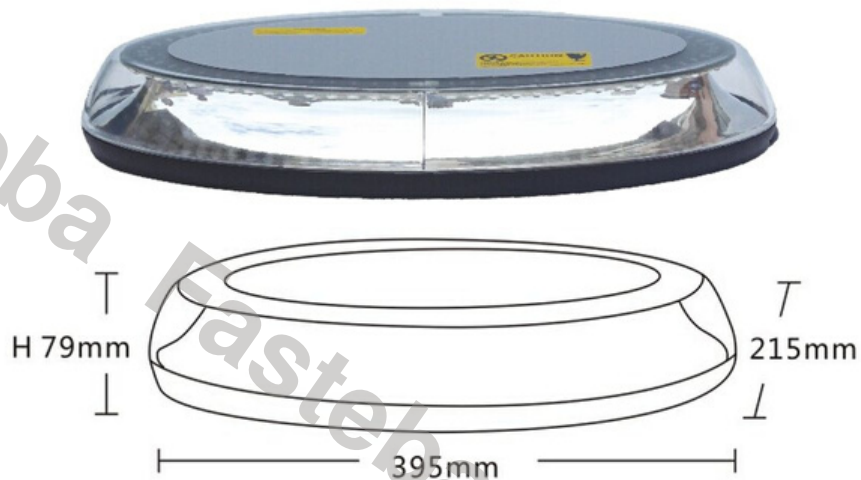
TECHNICAL SPECIFICATIONS:

MATERIAL	LED QUANTITY	MOUNTING	CABLE	FUNCTION	WATT	VOLTAGE (operating range)	CERTIFICATES	PACKING/ WEIGHT
<ul style="list-style-type: none"> » Lens: PC » Housing: AL 	<ul style="list-style-type: none"> » 56 	<ul style="list-style-type: none"> » magnet 	<ul style="list-style-type: none"> » 3000mm spiral cable with plug for lighter socket 	<ul style="list-style-type: none"> » 1 warning flash 	<ul style="list-style-type: none"> » 70W 	<ul style="list-style-type: none"> » 12V/24V 	<ul style="list-style-type: none"> » ECE R65 » ECE R10 	<ul style="list-style-type: none"> » cart. dim.: 600x325x150 mm » lamp weight: 5680g » 3 pcs/master carton

WARNING MINI BAR LED 395X215X79MM R65 R10

Reference: FA35085

PHOTO AND TECHNICAL DRAWING:



TECHNICAL SPECIFICATIONS:



MATERIAL	LED QUANTITY	MOUNTING	CABLE	FUNCTION	WATT	VOLTAGE	CERTIFICATES	PACKING/WEIGHT
» Lens: PC » Housing: PC	» 32	» magnet	3m spiral cable with plug for lighter socket	» 1 warning flash	» 28W	» 12V/24V	» ECE R65 » ECE R10	» cart. dim.: 450x225x85 mm » lamp weight: 2200g » 6 pcs/bulk box

WARNING MINI BAR LED 250X173X47MM R65 R10

Reference: FA35086

PHOTO AND TECHNICAL DRAWING:



TECHNICAL SPECIFICATIONS:

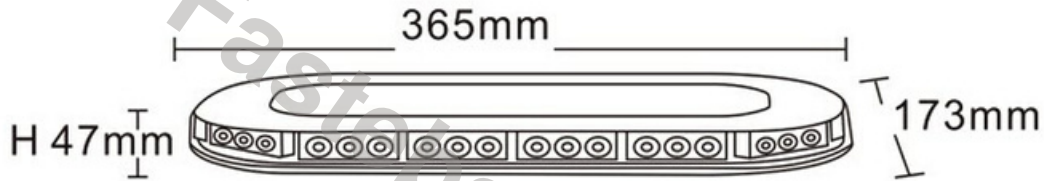


MATERIAL	LED QUANTITY	MOUNTING	CABLE	FUNCTION	WATT	VOLTAGE	CERTIFICATES	PACKING/ WEIGHT
» Lens: PC » Housing: PC	» 30	» magnet	» 3000mm spiral cable with plug for lighter socket	» 1 warning flash	» 95W	» 12V/24V	» ECE R65 » ECE R10	» cart. dim.: 285x200x90 mm » lamp weight: 1260g » 9 pcs/bulk carton

WARNING MINI BAR LED 365X173X47MM R65 R10

Reference: FA35087

PHOTO AND TECHNICAL DRAWING:



TECHNICAL SPECIFICATIONS:



MATERIAL	LED QUANTITY	MOUNTING	CABLE	FUNCTION	WATT	VOLTAGE	CERTIFICATES	PACKING/ WEIGHT
» Lens: PC » Housing: PC	» 42	» magnet	» 3000mm spiral cable with plug for lighter socket	» 1 warning flash	» 50W	» 12V/24V	» ECE R65 » ECE R10	» cart. dim.: 400x200x90 mm » lamp weight: 1850g » 6 pcs/bulk box

WARNING MINI BAR LED 420X276X80MM R65 R10

Reference: FA35088

PHOTO AND TECHNICAL DRAWING:



TECHNICAL SPECIFICATIONS:



MATERIAL	LED QUANTITY	MOUNTING	CABLE	FUNCTION	WATT	VOLTAGE	CERTIFICATES	PACKING/WEIGHT
<ul style="list-style-type: none"> » Lens: PC » Housing: PC 	<ul style="list-style-type: none"> » 30 	<ul style="list-style-type: none"> » magnet 	<ul style="list-style-type: none"> » 3000mm spiral cable with plug for lighter socket 	<ul style="list-style-type: none"> » 1 warning flash 	<ul style="list-style-type: none"> » 70W 	<ul style="list-style-type: none"> » 12V/24V 	<ul style="list-style-type: none"> » ECE R65 » ECE R10 	<ul style="list-style-type: none"> » cart. dim.: 440x290x100 mm » lamp weight: 2760g » 6 pcs/bulk box

WARNING MINI BAR LED 280X165X57MM R65 R10

Reference: FA35089

PHOTO AND TECHNICAL DRAWING:



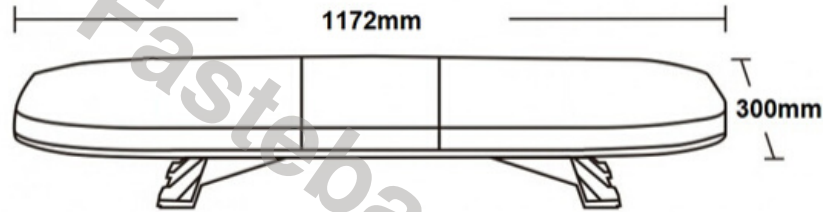
TECHNICAL SPECIFICATIONS:

MATERIAL	LED QUANTITY	MOUNTING	CABLE	FUNCTION	WATT	VOLTAGE	CERTIFICATES	PACKING/WEIGHT
» Lens: PC » Housing: ABS	» 80	» magnet	» 3000mm spiral cable with plug for lighter socket	» 1 warning flash	» maximum: 50W » average: 18W	» 12V/24V	» ECE R65 » ECE R10	» cart. dim.: 340x190x85 mm » lamp weight: 1370g » 12 pcs/bulk box

WARNING LIGHTBAR LED 1170MM R65 R10 BLUE

Reference: FA35090

PHOTO AND TECHNICAL DRAWING:



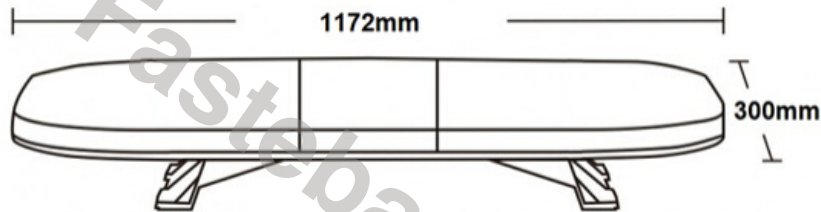
TECHNICAL SPECIFICATIONS:

MATERIAL	LED QUANTITY	MOUNTING	CABLE	FUNCTION	WATT	VOLTAGE	CERTIFICATES	PACKING/WEIGHT
» Lens: PC » Housing: AL	» 144	» screws	» 3000mm	» 8 warnings flashes	» 80W	» 12V/24V	» ECE R65 » ECE R10	» cart.dim.: 1245x360x175 mm » lamp weight: 13500g » 1 pc/bulk box

WARNING LIGHTBAR LED 1170MM R65 R10

Reference: FA35091

PHOTO AND TECHNICAL DRAWING:



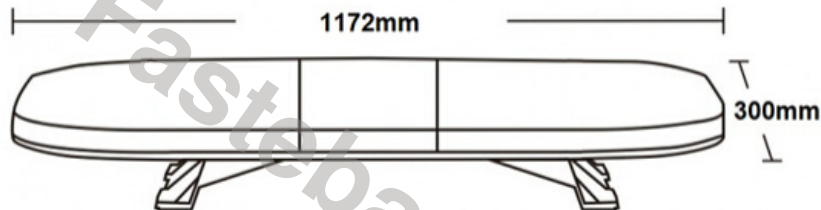
TECHNICAL SPECIFICATIONS:



MATERIAL	LED QUANTITY	MOUNTING	CABLE	FUNCTION	WATT	VOLTAGE	CERTIFICATES	PACKING/ WEIGHT
» Lens: PC » Housing: AL	» 144	» screws	» 3000mm	» 8 warnings flashes	» 80W	» 12V/24V	» ECE R65 » ECE R10	» cart.dim.: 1245x360x175 mm » lamp weight: 13500g » 1 pc/bulk box

WARNING LIGHTBAR LED 1170MM R65 R10

PHOTO AND TECHNICAL DRAWING:



TECHNICAL SPECIFICATIONS:



Amber

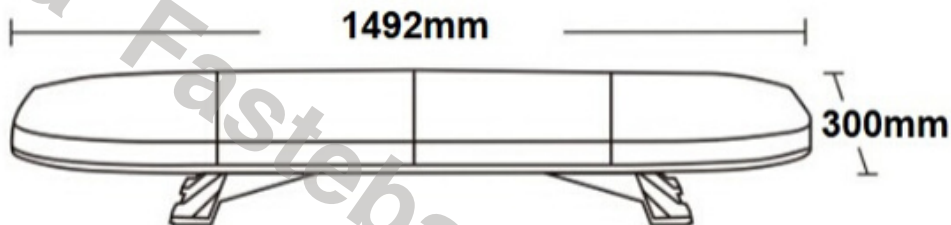


MATERIAL	LED QUANTITY	MOUNTING	CABLE	FUNCTION	WATT	VOLTAGE	CERTIFICATES	PACKING/WEIGHT
» Lens: PC » Housing: AL	» 144	» screws	» 3000mm	» 8 warnings flashes	» 80W	» 12V/24V	» ECE R65 » ECE R10	» cart.dim.: 1245x360x175 mm » lamp weight: 13500g » 1 pc/bulk box

WARNING LIGHTBAR LED 1470MM R65 R10 BLUE

Reference: FA35092

PHOTO AND TECHNICAL DRAWING:



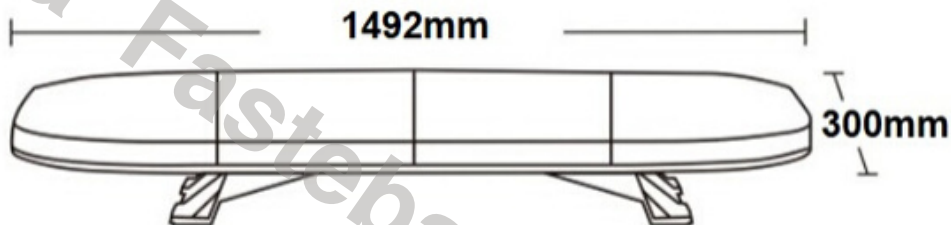
TECHNICAL SPECIFICATIONS:

MATERIAL	LED QUANTITY	MOUNTING	CABLE	FUNCTION	WATT	VOLTAGE	CERTIFICATES	PACKING/ WEIGHT
» Lens: PC » Housing: AL	» 144	» screws	» 3000mm	» 8 warnings flashes	» 80W	» 12V/24V	» ECE R65 » ECE R10	» cart. dim.: 1610x360x175 mm » lamp weight: 16500g » 1 pcs/bulk box

WARNING LIGHTBAR LED 1470MM R65 R10

Reference: FA35093

PHOTO AND TECHNICAL DRAWING:



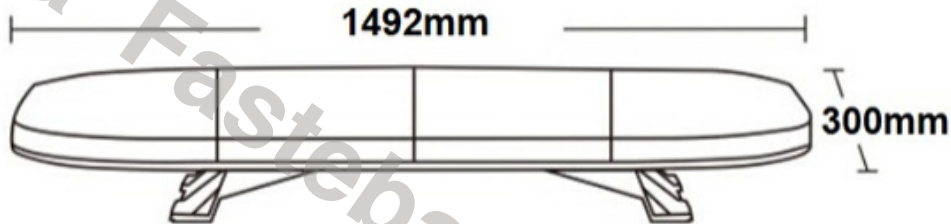
TECHNICAL SPECIFICATIONS:



MATERIAL	LED QUANTITY	MOUNTING	CABLE	FUNCTION	WATT	VOLTAGE	CERTIFICATES	PACKING/ WEIGHT
» Lens: PC » Housing: AL	» 144	» screws	» 3000mm	» 8 warnings flashes	» 80W	» 12V/24V	» ECE R65 » ECE R10	» cart. dim.: 1610x360x175 mm » lamp weight: 16500g » 1 pcs/bulk box

WARNING LIGHTBAR LED 1470MM R65 R10

PHOTO AND TECHNICAL DRAWING:



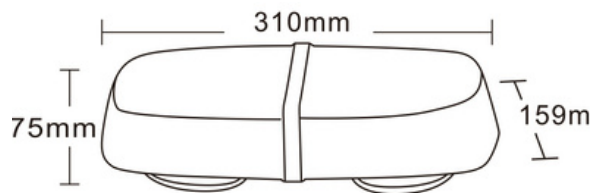
TECHNICAL SPECIFICATIONS:

MATERIAL	LED QUANTITY	MOUNTING	CABLE	FUNCTION	WATT	VOLTAGE	CERTIFICATES	PACKING/ WEIGHT
<ul style="list-style-type: none"> » Lens: PC » Housing: AL 	<ul style="list-style-type: none"> » 144 	<ul style="list-style-type: none"> » screws 	<ul style="list-style-type: none"> » 3000mm 	<ul style="list-style-type: none"> » 8 warnings flashes 	<ul style="list-style-type: none"> » 80W 	<ul style="list-style-type: none"> » 12V/24V 	<ul style="list-style-type: none"> » ECE R65 » ECE R10 	<ul style="list-style-type: none"> » cart. dim.: 1610x360x175 mm » lamp weight: 16500g » 1 pcs/bulk box

WARNING MINI BAR LED 315X165X70MM R65 R10

Reference: FA35094

PHOTO AND TECHNICAL DRAWING:



TECHNICAL SPECIFICATIONS:

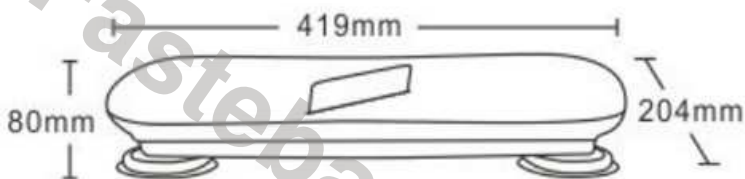


MATERIAL	LED QUANTITY	MOUNTING	CABLE	FUNCTION	WATT	VOLTAGE	CERTIFICATES	PACKING/WEIGHT
» Lens: PC » Housing: ABS	» 72	» magnet	» 3000mm spiral cable with plug for lighter socket	» 1 warning flash	» 42W	» 12V/24V	» ECE R65 » ECE R10	» cart. dim.: 330x170x100 mm » lamp weight: 750g » 12 pcs/bulk box

WARNING MINI BAR LED 419X204X80MM R65 R10

Reference: FA35097

PHOTO AND TECHNICAL DRAWING:



TECHNICAL SPECIFICATIONS:

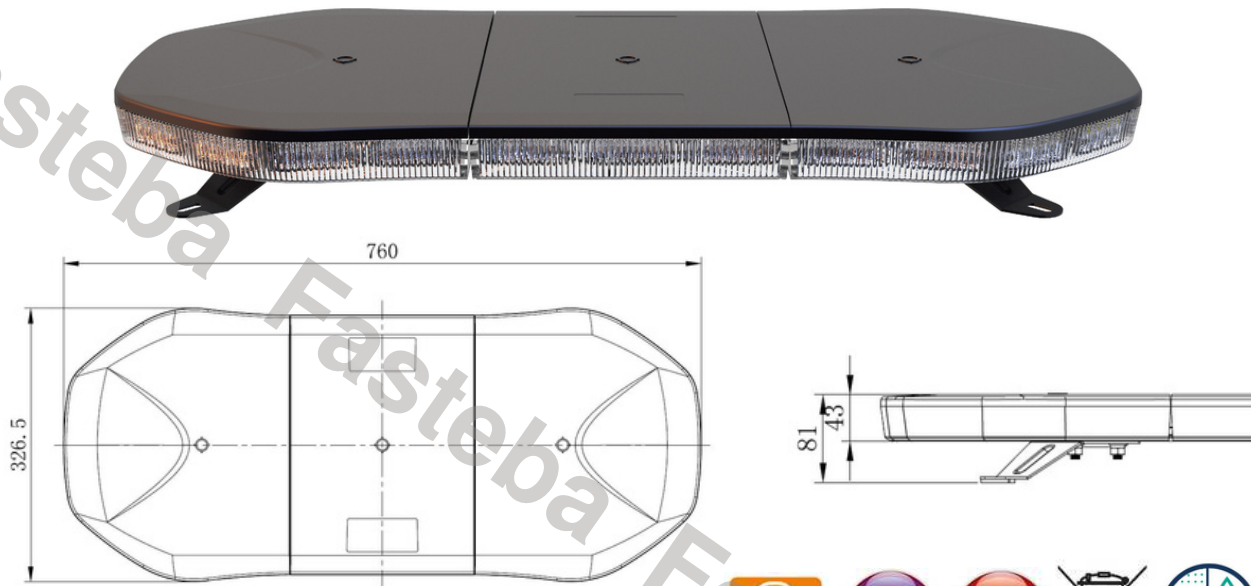


MATERIAL	LED QUANTITY	MOUNTING	CABLE	FUNCTION	WATT	VOLTAGE	CERTIFICATES	PACKING/WEIGHT
» Lens: PC » Housing: PC	» 24	» magnet	» 3000mm spiral cable with plug for lighter socket	» 1 warning flash	» 72W	» 12V/24V	» ECE R65 » ECE R10	» cart. dim.: 480x240x140 mm » lamp weight: 2370g » 6 pcs/bulk box

WARNING LIGHTBAR LED 760X326X81MM R65 R10

Reference: FA35098

PHOTO AND TECHNICAL DRAWING:



TECHNICAL SPECIFICATIONS:

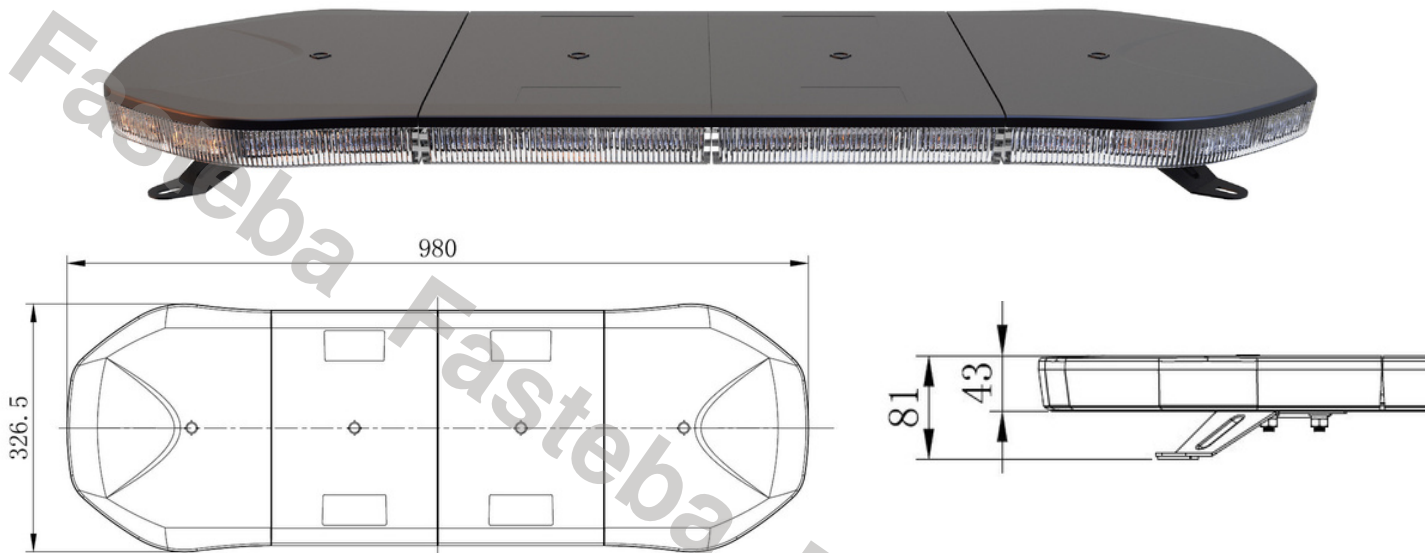


MATERIAL	LED QUANTITY	MOUNTING	CABLE	FUNCTION	WATT	VOLTAGE	CERTIFICATES	PACKING/WEIGHT
» Lens: PC » Housing: AL	» 104	» screws	» 4000mm	» 6 warning flashes	» 52W	» 12V/24V	» ECE R65 » ECE R10	» cart. dim.: 820x380x120 mm » lamp weight: 5750g » 2 pc/bulk box

WARNING LIGHTBAR LED 980X326X81MM R65 R10

Reference: FA35099

PHOTO AND TECHNICAL DRAWING:



TECHNICAL SPECIFICATIONS:

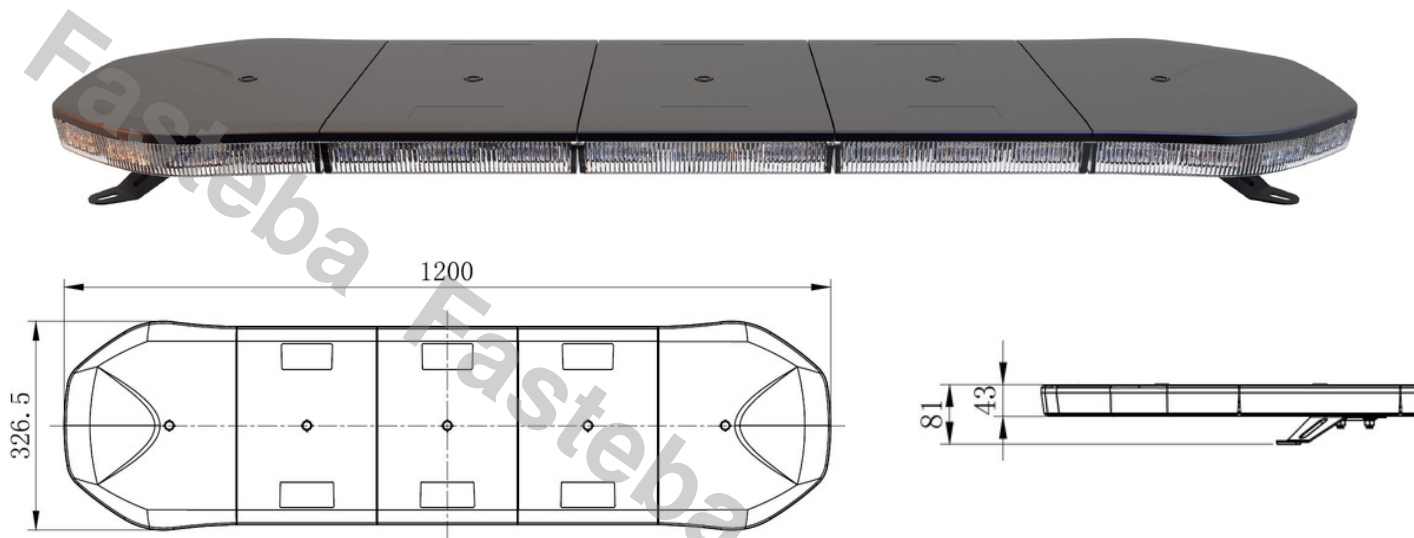


MATERIAL	LED QUANTITY	MOUNTING	CABLE	FUNCTION	WATT	VOLTAGE	CERTIFICATES	PACKING/WEIGHT
» Lens: PC » Housing: AL	» 104	» screws	» 4000mm	» 6 warning flashes	» 64W	» 12V/24V	» ECE R65 » ECE R10	» cart. dim.: 1060x380x120 mm » lamp weight: 7800g » 2 pc/bulk box

WARNING LIGHTBAR LED 1200X326X81MM R65 R10

Reference: FA35100

PHOTO AND TECHNICAL DRAWING:



TECHNICAL SPECIFICATIONS:

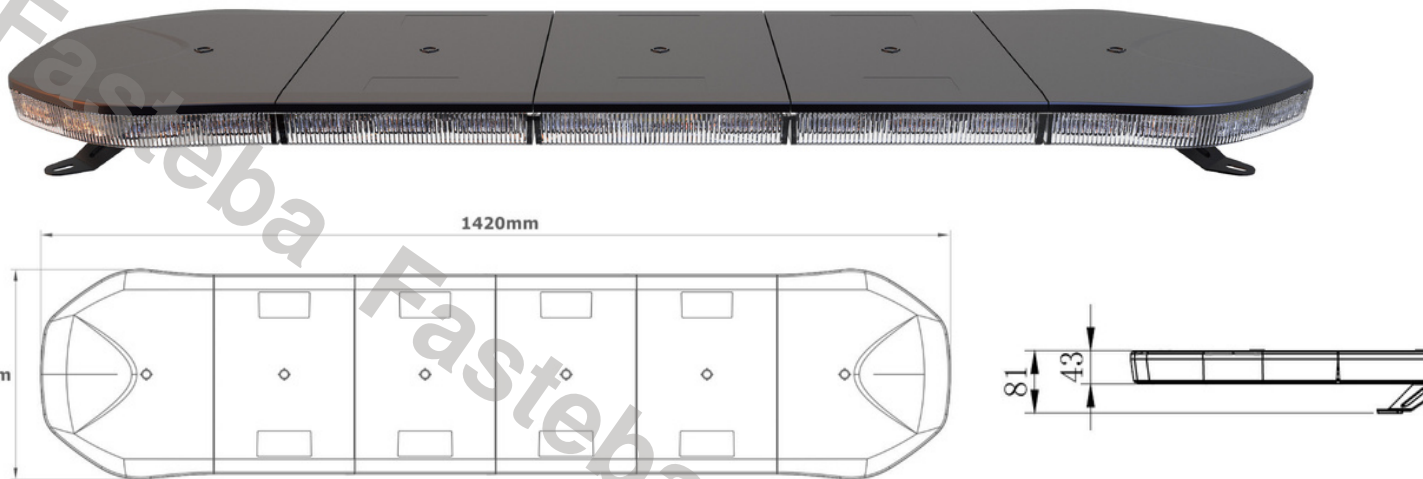


MATERIAL	LED QUANTITY	MOUNTING	CABLE	FUNCTION	WATT	VOLTAGE	CERTIFICATES	PACKING/ WEIGHT
<ul style="list-style-type: none"> » Lens: PC » Housing: AL 	<ul style="list-style-type: none"> » 152 	<ul style="list-style-type: none"> » screws 	<ul style="list-style-type: none"> » 4000mm 	<ul style="list-style-type: none"> » 6 warning flashes 	<ul style="list-style-type: none"> » 76W 	<ul style="list-style-type: none"> » 12V/24V 	<ul style="list-style-type: none"> » ECE R65 » ECE R10 	<ul style="list-style-type: none"> » cart. dim.: 1260x380x120 mm » lamp weight: 8200g » 2 pc/bulk box

WARNING LIGHTBAR LED 1420X326X81MM R65 R10

Reference: FA35101

PHOTO AND TECHNICAL DRAWING:



TECHNICAL SPECIFICATIONS:

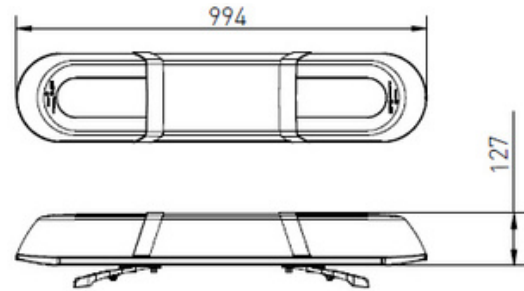


MATERIAL	LED QUANTITY	MOUNTING	CABLE	FUNCTION	WATT	VOLTAGE	CERTIFICATES	PACKING/ WEIGHT
<ul style="list-style-type: none"> » Lens: PC » Housing: AL 	<ul style="list-style-type: none"> » 176 	<ul style="list-style-type: none"> » screws 	<ul style="list-style-type: none"> » 4000mm 	<ul style="list-style-type: none"> » 6 warning flashes 	<ul style="list-style-type: none"> » 88W 	<ul style="list-style-type: none"> » 12V/24V 	<ul style="list-style-type: none"> » ECE R65 » ECE R10 	<ul style="list-style-type: none"> » cart. dim.: 1500x390x135 mm » lamp weight: 12500g » 1 pc/bulk box

LED WARNING LIGHTBAR 994X217X180 R10 R65

Reference: FA35102

PHOTO AND TECHNICAL DRAWING:



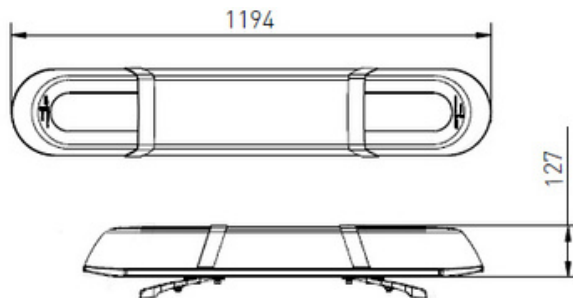
TECHNICAL SPECIFICATIONS:

MATERIAL	LED QUANTITY	MOUNTING	CABLE	FUNCTION	WATT	VOLTAGE	CERTIFICATES	PACKING/ WEIGHT
» Lens: PC » Housing: AL	» 48	» screws	» 5000mm	» 1 warning flash	» 62W	» 12V/24V	» ECE R65 » ECE R10	» cart. dim.: 1110x280x220 mm » lamp weight: 6750g » 1 pc/bulk box

LED WARNING LIGHTBAR 1194X217X180 R10 R65

Reference: FA350103

PHOTO AND TECHNICAL DRAWING:



Amber



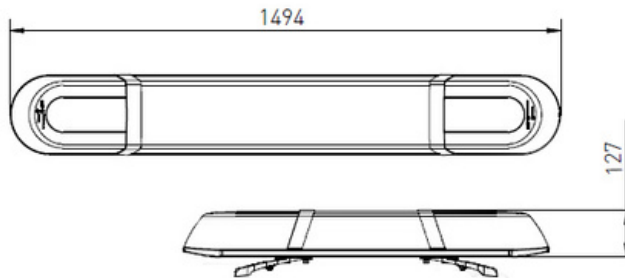
TECHNICAL SPECIFICATIONS:

MATERIAL	LED QUANTITY	MOUNTING	CABLE	FUNCTION	WATT	VOLTAGE	CERTIFICATES	PACKING/ WEIGHT
» Lens: PC » Housing: AL	» 84	» screws	» 5000mm	» 1 warning flash	» 72W	» 12V/24V	» ECE R65 » ECE R10	» cart. dim.: 1310x280x220 mm » lamp weight: 7600g » 1 pc/bulk box

LED WARNING LIGHTBAR 1494X217X180 R10 R65

Reference: FA35104

PHOTO AND TECHNICAL DRAWING:



Amber



R10
UNECE Regulation
10 Approved



R65
UNECE Regulation
65 Approved



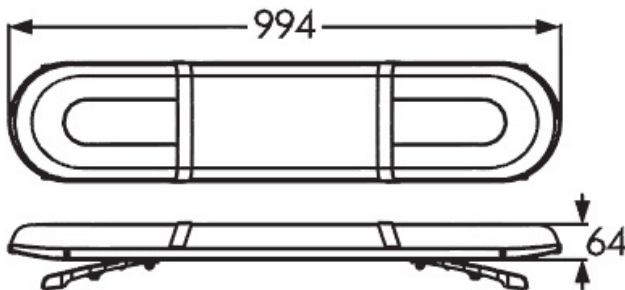
TECHNICAL SPECIFICATIONS:

MATERIAL	LED QUANTITY	MOUNTING	CABLE	FUNCTION	WATT	VOLTAGE	CERTIFICATES	PACKING/ WEIGHT
» Lens: PC » Housing: AL	» 120	» screws	» 5000mm	» 1 warning flash	» 82W	» 12V/24V	» ECE R65 » ECE R10	» cart. dim.: 1630x280x220 mm » lamp weight: 9000g » 1 pc/bulk box

LED WARNING LIGHTBAR 994X217X118 R10 R65 TA2

Reference: FA35105

PHOTO AND TECHNICAL DRAWING:



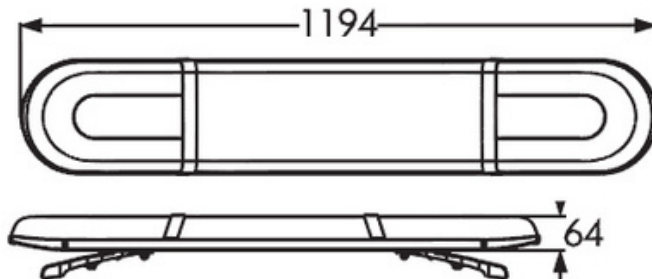
TECHNICAL SPECIFICATIONS:

MATERIAL	LED QUANTITY	MOUNTING	CABLE	FUNCTION	WATT	VOLTAGE	CERTIFICATES	PACKING/WEIGHT
<ul style="list-style-type: none"> » Lens: PC » Housing: AL 	<ul style="list-style-type: none"> » 42 	<ul style="list-style-type: none"> » screws 	<ul style="list-style-type: none"> » 5000mm 	<ul style="list-style-type: none"> » 1 warning flash 	<ul style="list-style-type: none"> » 70W 	<ul style="list-style-type: none"> » 12V/24V 	<ul style="list-style-type: none"> » ECE R65 » ECE R10 	<ul style="list-style-type: none"> » cart. dim.: 1100x280x130 mm » lamp weight: 5300g » 1 pc/bulk box

LED WARNING LIGHTBAR 1194X217X118 R10 R65 TA2

Reference: FA35106

PHOTO AND TECHNICAL DRAWING:



Amber



R10

UNECE Regulation
10 Approved



R65

UNECE Regulation
65 Approved



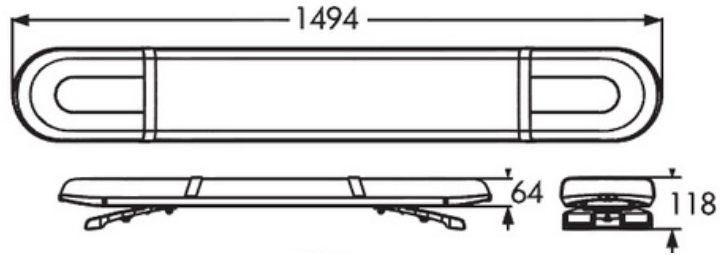
TECHNICAL SPECIFICATIONS:

MATERIAL	LED QUANTITY	MOUNTING	CABLE	FUNCTION	WATT	VOLTAGE	CERTIFICATES	PACKING/ WEIGHT
<ul style="list-style-type: none"> » Lens: PC » Housing: AL 	<ul style="list-style-type: none"> » 42 	<ul style="list-style-type: none"> » screws 	<ul style="list-style-type: none"> » 5000mm 	<ul style="list-style-type: none"> » 1 warning flash 	<ul style="list-style-type: none"> » 70W 	<ul style="list-style-type: none"> » 12V/24V 	<ul style="list-style-type: none"> » ECE R65 » ECE R10 	<ul style="list-style-type: none"> » cart. dim.: 1300x280x130 mm » lamp weight: 6450g » 1 pc/bulk box

LED WARNING LIGHTBAR 1494X217X118 R10 R65 TA2

Reference: FA35107

PHOTO AND TECHNICAL DRAWING:



Amber



R10
UNECE Regulation
10 Approved



R65
UNECE Regulation
65 Approved



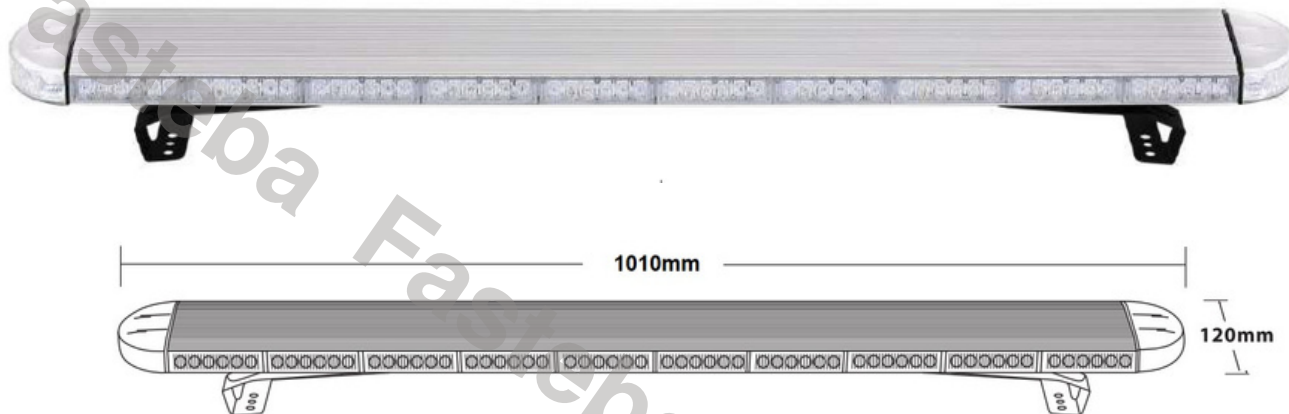
TECHNICAL SPECIFICATIONS:

MATERIAL	LED QUANTITY	MOUNTING	CABLE	FUNCTION	WATT	VOLTAGE	CERTIFICATES	PACKING/ WEIGHT
<ul style="list-style-type: none"> » Lens: PC » Housing: AL 	<ul style="list-style-type: none"> » 42 	<ul style="list-style-type: none"> » screws 	<ul style="list-style-type: none"> » 5000mm 	<ul style="list-style-type: none"> » 1 warning flash 	<ul style="list-style-type: none"> » 70W 	<ul style="list-style-type: none"> » 12V/24V 	<ul style="list-style-type: none"> » ECE R65 » ECE R10 	<ul style="list-style-type: none"> » cart. dim.: 1630x280x130 mm » lamp weight: 7600g » 1 pc/bulk box

LED WARNING LIGHTBAR 1010X120 R65 R10

Reference: FA35108

PHOTO AND TECHNICAL DRAWING:



TECHNICAL SPECIFICATIONS:

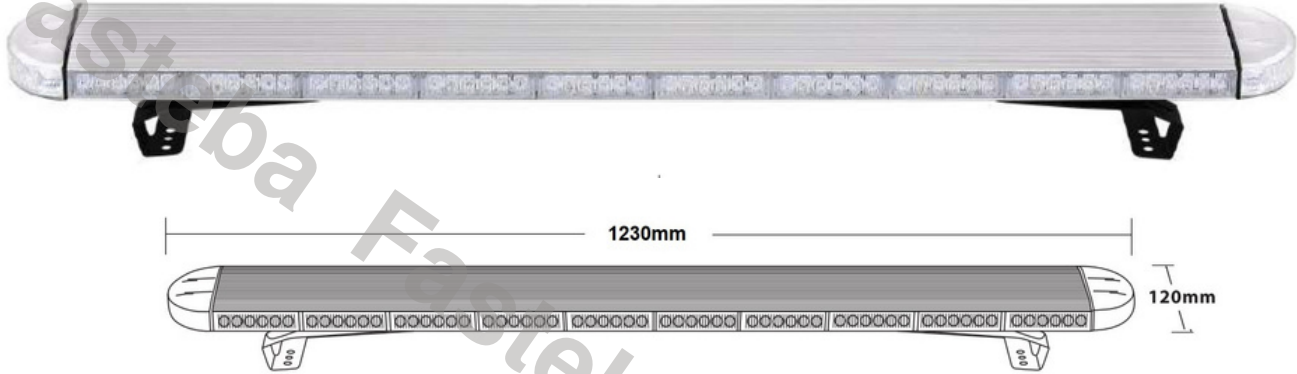


MATERIAL	LED QUANTITY	MOUNTING	CABLE	FUNCTION	WATT	VOLTAGE	CERTIFICATES	PACKING/ WEIGHT
» Lens: PC » Housing: AL	» 114	» screws	» 3500mm	» 8 warnings flashes	» 114W	» 12V/24V	» ECE R65 » ECE R10	» cart.dim.: 1060x190x120 mm » lamp weight: 6500g » 2 pc/bulk box

LED WARNING LIGHTBAR 1230X120 R65 R10

Reference: FA35109

PHOTO AND TECHNICAL DRAWING:



TECHNICAL SPECIFICATIONS:

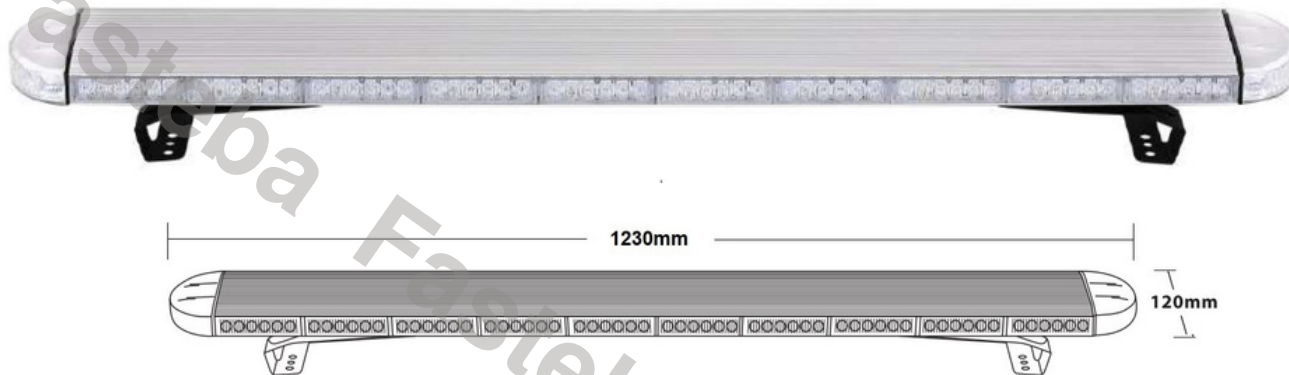


MATERIAL	LED QUANTITY	MOUNTING	CABLE	FUNCTION	WATT	VOLTAGE	CERTIFICATES	PACKING/ WEIGHT
» Lens: PC » Housing: AL	» 138	» screws	» 3500mm	» 8 warnings flashes	» 138W	» 12V/24V	» ECE R65 » ECE R10	» cart.dim.: 1280x190x120 mm » lamp weight: 7500g » 2 pc/bulk box

LED WARNING LIGHTBAR 1450X120 R65 R10

Reference: FA35110

PHOTO AND TECHNICAL DRAWING:



TECHNICAL SPECIFICATIONS:

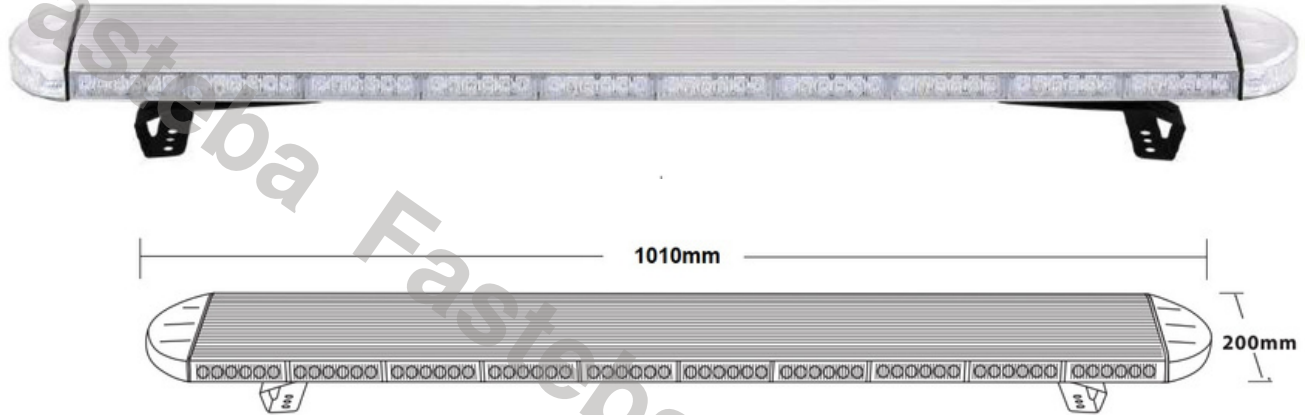


MATERIAL	LED QUANTITY	MOUNTING	CABLE	FUNCTION	WATT	VOLTAGE	CERTIFICATES	PACKING/WEIGHT
<ul style="list-style-type: none"> » Lens: PC » Housing: AL 	<ul style="list-style-type: none"> » 138 	<ul style="list-style-type: none"> » screws 	<ul style="list-style-type: none"> » 3500mm 	<ul style="list-style-type: none"> » 8 warnings flashes 	<ul style="list-style-type: none"> » 138W 	<ul style="list-style-type: none"> » 12V/24V 	<ul style="list-style-type: none"> » ECE R65 » ECE R10 	<ul style="list-style-type: none"> » cart.dim.: 1500x190x120 mm » lamp weight: 8250g » 2 pc/bulk box

LED WARNING LIGHTBAR 1010X200 R65 R10

Reference: FA35111

PHOTO AND TECHNICAL DRAWING:



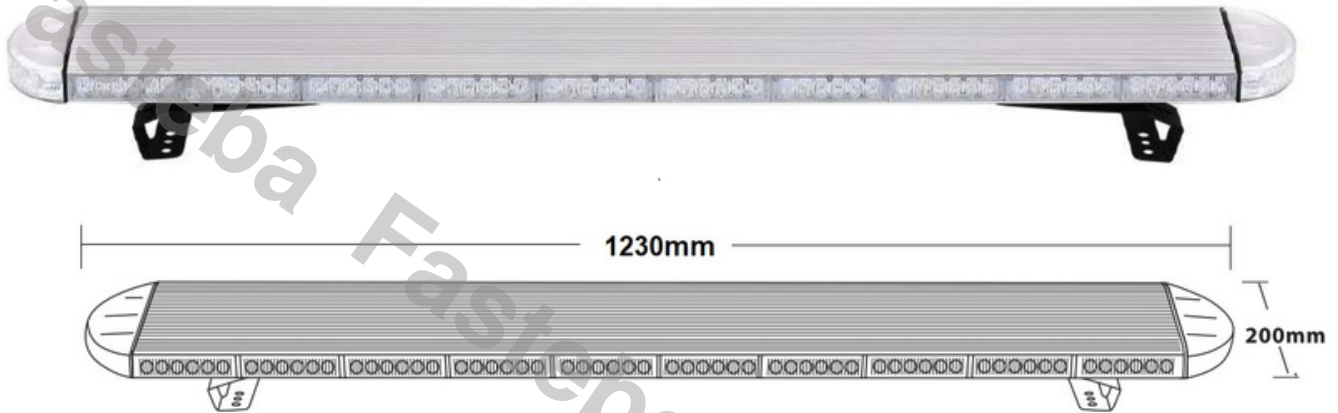
TECHNICAL SPECIFICATIONS:

MATERIAL	LED QUANTITY	MOUNTING	CABLE	FUNCTION	WATT	VOLTAGE	CERTIFICATES	PACKING/WEIGHT
<ul style="list-style-type: none"> » Lens: PC » Housing: AL 	<ul style="list-style-type: none"> » 114 	<ul style="list-style-type: none"> » screws 	<ul style="list-style-type: none"> » 3500mm 	<ul style="list-style-type: none"> » 8 warnings flashes 	<ul style="list-style-type: none"> » 114W 	<ul style="list-style-type: none"> » 12V/24V 	<ul style="list-style-type: none"> » ECE R65 » ECE R10 	<ul style="list-style-type: none"> » cart.dim.: 1075x280x140 mm » lamp weight: 7500g » 1 pc/bulk box

LED WARNING LIGHTBAR 1230X200 R65 R10

Reference: FA35112

PHOTO AND TECHNICAL DRAWING:



TECHNICAL SPECIFICATIONS:

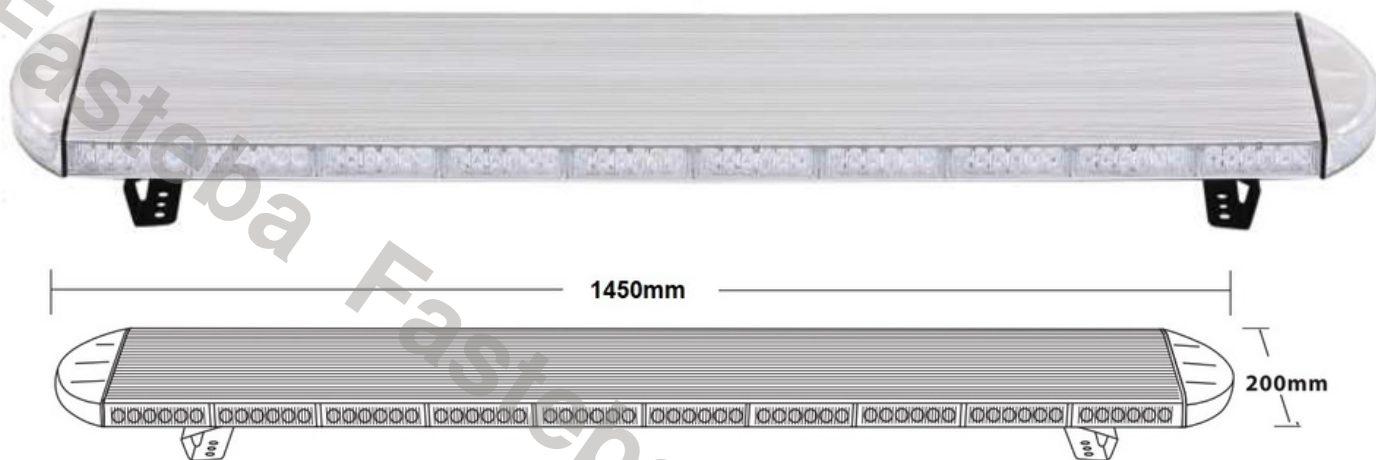


MATERIAL	LED QUANTITY	MOUNTING	CABLE	FUNCTION	WATT	VOLTAGE	CERTIFICATES	PACKING/ WEIGHT
» Lens: PC » Housing: AL	» 138	» screws	» 3500mm	» 8 warnings flashes	» 138W	» 12V/24V	» ECE R65 » ECE R10	» cart.dim.: 1300x280x140 mm » lamp weight: 8500g » 1 pc/bulk box

LED WARNING LIGHTBAR 1450X200 R65 R10

Reference: FA35113

PHOTO AND TECHNICAL DRAWING:



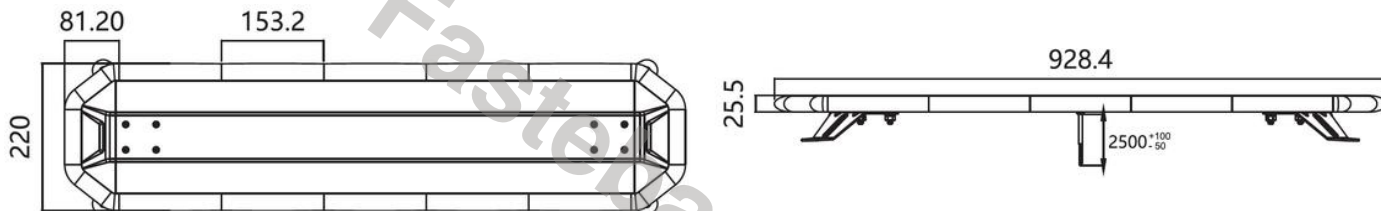
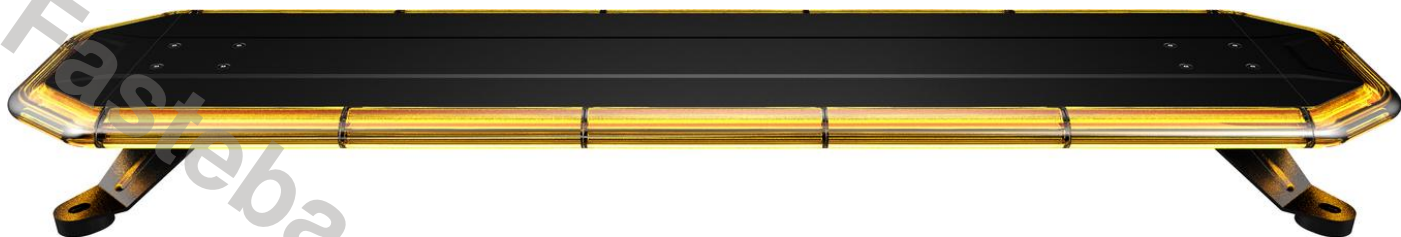
TECHNICAL SPECIFICATIONS:

MATERIAL	LED QUANTITY	MOUNTING	CABLE	FUNCTION	WATT	VOLTAGE	CERTIFICATES	PACKING/ WEIGHT
<ul style="list-style-type: none"> » Lens: PC » Housing: AL 	<ul style="list-style-type: none"> » 138 	<ul style="list-style-type: none"> » screws 	<ul style="list-style-type: none"> » 3500mm 	<ul style="list-style-type: none"> » 8 warnings flashes 	<ul style="list-style-type: none"> » 138W 	<ul style="list-style-type: none"> » 12V/24V 	<ul style="list-style-type: none"> » ECE R65 » ECE R10 	<ul style="list-style-type: none"> » cart.dim.: 1500x280x140 mm » lamp weight: 9500g » 1 pc/bulk box

LED WARNING LIGHTBAR 930X220 R10 R65 TA2

Reference: FA35114

PHOTO AND TECHNICAL DRAWING:



Amber



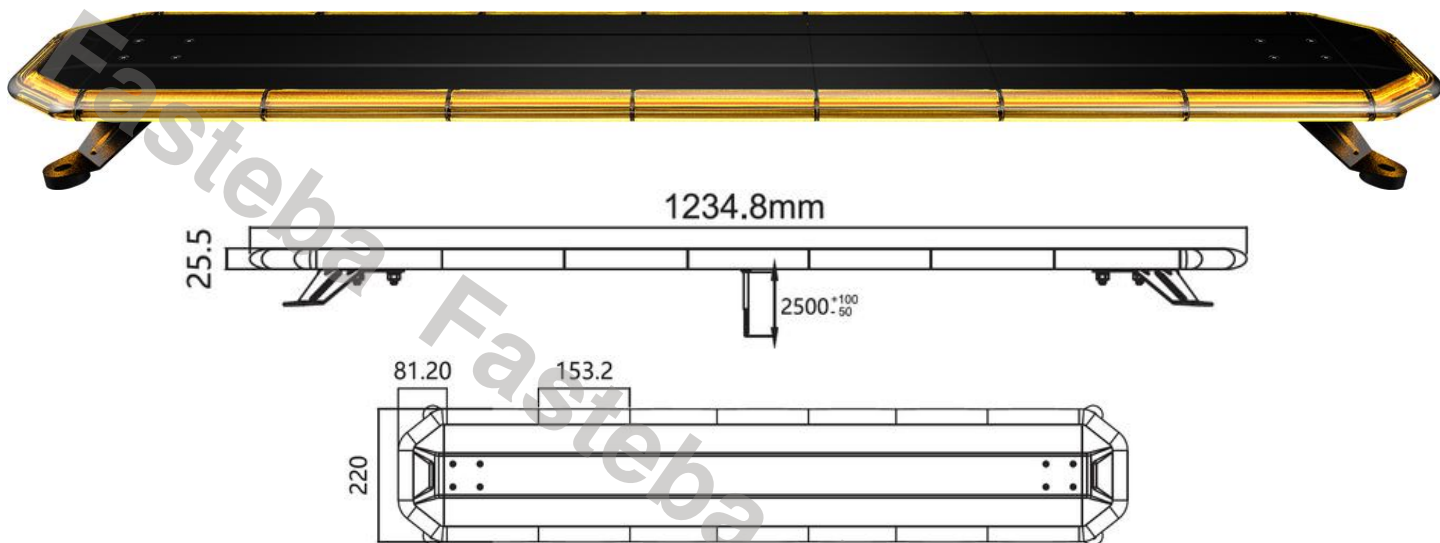
TECHNICAL SPECIFICATIONS:

MATERIAL	LED QUANTITY	MOUNTING	CABLE	FUNCTION	WATT	VOLTAGE	CERTIFICATES	PACKING/WEIGHT
<ul style="list-style-type: none"> » Lens: PC » Housing: AL 	<ul style="list-style-type: none"> » 16 	<ul style="list-style-type: none"> » screws 	<ul style="list-style-type: none"> » 5000mm 	<ul style="list-style-type: none"> » 1 warnings flashes, » two level of intensity, day and night 	<ul style="list-style-type: none"> » 152W 	<ul style="list-style-type: none"> » 12V/24V 	<ul style="list-style-type: none"> » ECE R65 » ECE R10 	<ul style="list-style-type: none"> » cart.dim.: 1180x300x50 mm » lamp weight: 5820g » 1 pc/bulk box

LED WARNING LIGHTBAR 1235X220 R10 R65 TA2

Reference: FA35115

PHOTO AND TECHNICAL DRAWING:



Amber



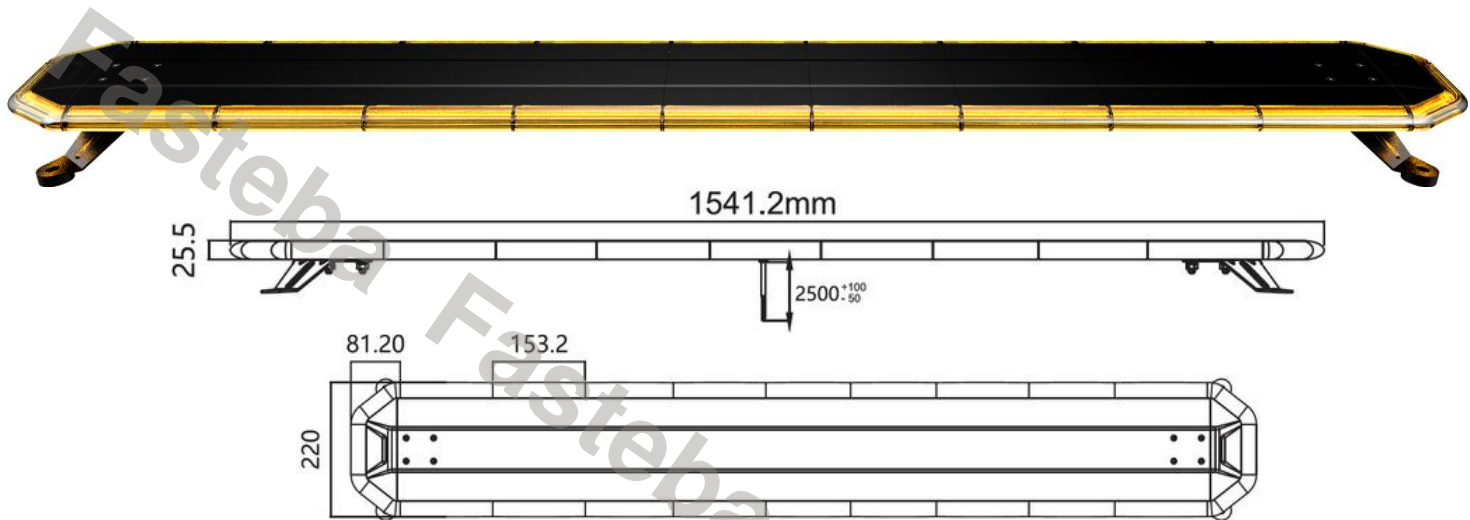
TECHNICAL SPECIFICATIONS:

MATERIAL	LED QUANTITY	MOUNTING	CABLE	FUNCTION	WATT	VOLTAGE	CERTIFICATES	PACKING/WEIGHT
<ul style="list-style-type: none"> » Lens: PC » Housing: AL 	<ul style="list-style-type: none"> » 20 	<ul style="list-style-type: none"> » screws 	<ul style="list-style-type: none"> » 5000mm 	<ul style="list-style-type: none"> » 1 warnings flashes, » two level of intensity, day and night 	<ul style="list-style-type: none"> » 178W 	<ul style="list-style-type: none"> » 12V/24V 	<ul style="list-style-type: none"> » ECE R65 » ECE R10 	<ul style="list-style-type: none"> » cart.dim.: 1500x300x50 mm » lamp weight: 7220g » 1 pc/bulk box

LED WARNING LIGHTBAR 1540X220 R10 R65 TA2

Reference: FA35116

PHOTO AND TECHNICAL DRAWING:



TECHNICAL SPECIFICATIONS:



Amber

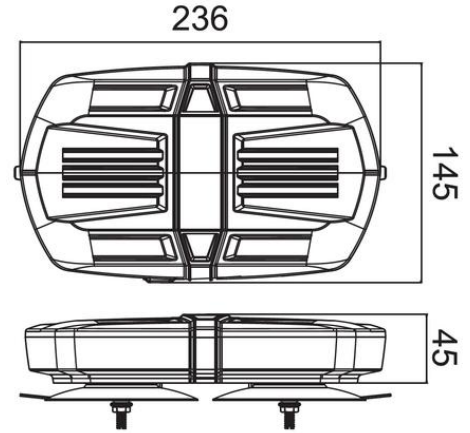


MATERIAL	LED QUANTITY	MOUNTING	CABLE	FUNCTION	WATT	VOLTAGE	CERTIFICATES	PACKING/ WEIGHT
<ul style="list-style-type: none"> » Lens: PC » Housing: AL 	<ul style="list-style-type: none"> » 24 	<ul style="list-style-type: none"> » screws 	<ul style="list-style-type: none"> » 5000mm 	<ul style="list-style-type: none"> » 1 warnings flashes, » two level of intensity, day and night 	<ul style="list-style-type: none"> » 188W 	<ul style="list-style-type: none"> » 12V/24V 	<ul style="list-style-type: none"> » ECE R65 » ECE R10 	<ul style="list-style-type: none"> » cart.dim.: 1800x300x50 mm » lamp weight: 8730g » 1 pc/bulk box

LED WARNING LIGHTBAR 23W R10 R65 MAGNET

Reference: FA35117

PHOTO AND TECHNICAL DRAWING:



TECHNICAL SPECIFICATIONS:

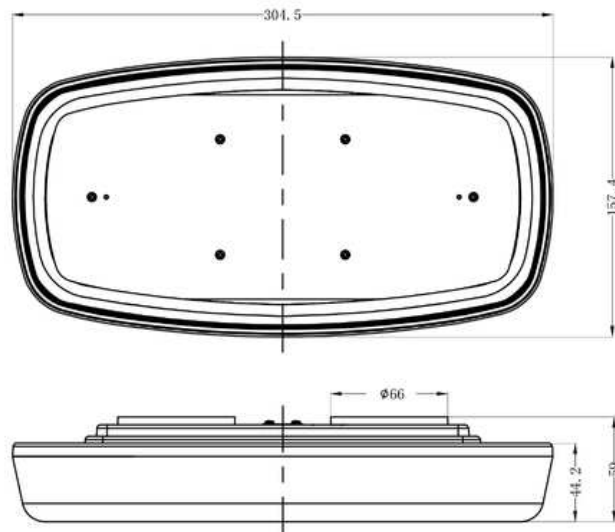


MATERIAL	LED QUANTITY	MOUNTING	CABLE	FUNCTION	WATT	VOLTAGE	CERTIFICATES	PACKING/WEIGHT
<ul style="list-style-type: none"> » Lens: PC » Housing: AL 	<ul style="list-style-type: none"> » 32 	<ul style="list-style-type: none"> » magnet 	<ul style="list-style-type: none"> » 2500mm with cigarette lighter plug 	<ul style="list-style-type: none"> » 1 warnings flashes 	<ul style="list-style-type: none"> » 23W 	<ul style="list-style-type: none"> » 12V/24V 	<ul style="list-style-type: none"> » ECE R65 » ECE R10 	<ul style="list-style-type: none"> » cart.dim.: 390x265x56mm » lamp weight: 1000g » 8 pc/bulk box

LED WARNING LIGHTBAR 305X158 R10 R65 MAGNET

Reference: FA35118

PHOTO AND TECHNICAL DRAWING:



TECHNICAL SPECIFICATIONS:

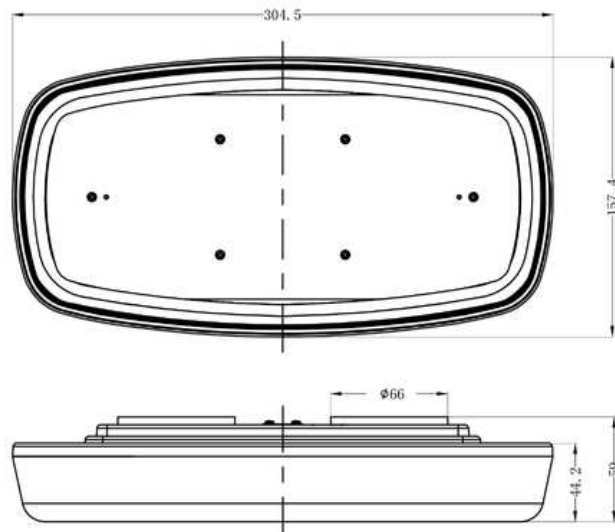


MATERIAL	LED QUANTITY	MOUNTING	CABLE	FUNCTION	WATT	VOLTAGE	CERTIFICATES	PACKING/WEIGHT
<ul style="list-style-type: none"> » Lens: PC » Housing: ABS 	» 84	» magnet	» 3,5m straight cable with plug for lighter socket	» 2 warning flashes	» 38W	» 12V/24V	<ul style="list-style-type: none"> » ECE R65 » ECE R10 	<ul style="list-style-type: none"> » cart. dim.: 337x244x90 mm » lamp weight: 1500g » 10 pcs/bulk box

LED WARNING LIGHTBAR 305X158 R10 R65 MAGNET

Reference: FA35119

PHOTO AND TECHNICAL DRAWING:



TECHNICAL SPECIFICATIONS:

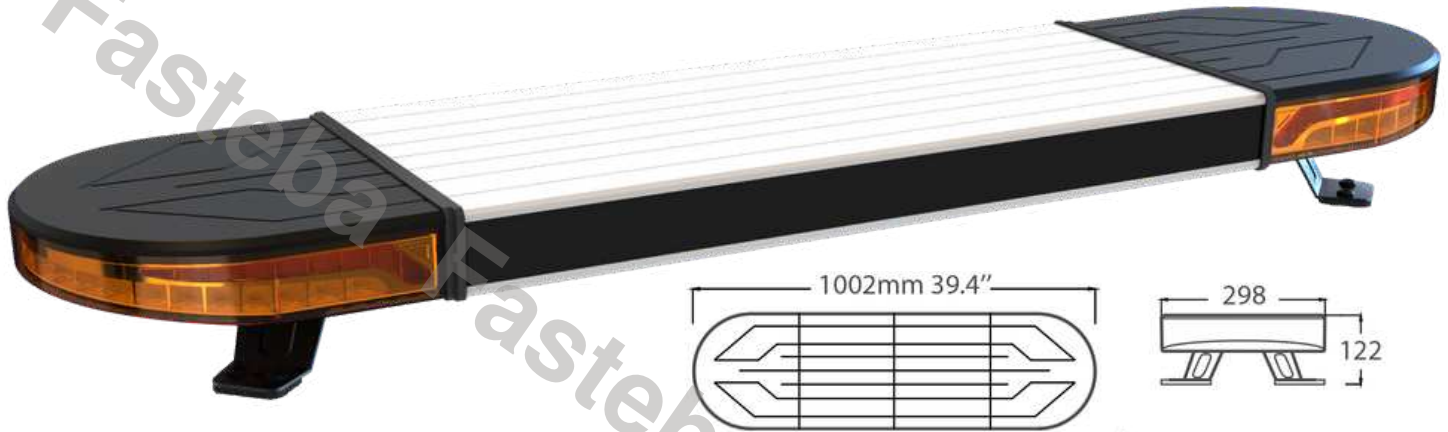


MATERIAL	LED QUANTITY	MOUNTING	CABLE	FUNCTION	WATT	VOLTAGE	CERTIFICATES	PACKING/WEIGHT
<ul style="list-style-type: none"> » Lens: PC » Housing: ABS 	<ul style="list-style-type: none"> » 84 	<ul style="list-style-type: none"> » magnet 	<ul style="list-style-type: none"> » 3,5m straight cable with plug for lighter socket 	<ul style="list-style-type: none"> » 2 warning flashes 	<ul style="list-style-type: none"> » 38W 	<ul style="list-style-type: none"> » 12V/24V 	<ul style="list-style-type: none"> » ECE R65 » ECE R10 	<ul style="list-style-type: none"> » cart. dim.: 337x244x90 mm » lamp weight: 1500g » 10 pcs/bulk box

LED WARNING LIGHTBAR 1002X286 R10 R65 TA2

Reference: FA35120

PHOTO AND TECHNICAL DRAWING:



TECHNICAL SPECIFICATIONS:



MATERIAL	LED QUANTITY	MOUNTING	CABLE	FUNCTION	WATT	VOLTAGE	CERTIFICATES	PACKING/WEIGHT
<ul style="list-style-type: none"> » Lens: PC » Housing: ABS 	<ul style="list-style-type: none"> » 48 	<ul style="list-style-type: none"> » magnet 	<ul style="list-style-type: none"> » 3,5m straight cable with plug for lighter socket 	<ul style="list-style-type: none"> » 1 warning flash, » two level of intensity, day and night 	<ul style="list-style-type: none"> » 60W 	<ul style="list-style-type: none"> » 12V/24V 	<ul style="list-style-type: none"> » ECE R65 » ECE R10 	<ul style="list-style-type: none"> » cart. dim.: 1070x345x185 mm » lamp weight: 6000g » 1 pcs/bulk box

LED WARNING LIGHTBAR 1240X286 R10 R65 TA2

Reference: FA35121

PHOTO AND TECHNICAL DRAWING:



TECHNICAL SPECIFICATIONS:



MATERIAL	LED QUANTITY	MOUNTING	CABLE	FUNCTION	WATT	VOLTAGE	CERTIFICATES	PACKING/WEIGHT
<ul style="list-style-type: none"> » Lens: PC » Housing: ABS 	<ul style="list-style-type: none"> » 48 	<ul style="list-style-type: none"> » magnet 	<ul style="list-style-type: none"> » 3,5m straight cable with plug for lighter socket 	<ul style="list-style-type: none"> » 1 warning flash, » two level of intensity, day and night 	<ul style="list-style-type: none"> » 60W 	<ul style="list-style-type: none"> » 12V/24V 	<ul style="list-style-type: none"> » ECE R65 » ECE R10 	<ul style="list-style-type: none"> » cart. dim.: 1270x345x185 mm » lamp weight: 7000g » 1 pcs/bulk box

LED WARNING LIGHTBAR 628X35 R65 R10

Reference: FA35122

PHOTO AND TECHNICAL DRAWING:



TECHNICAL SPECIFICATIONS:

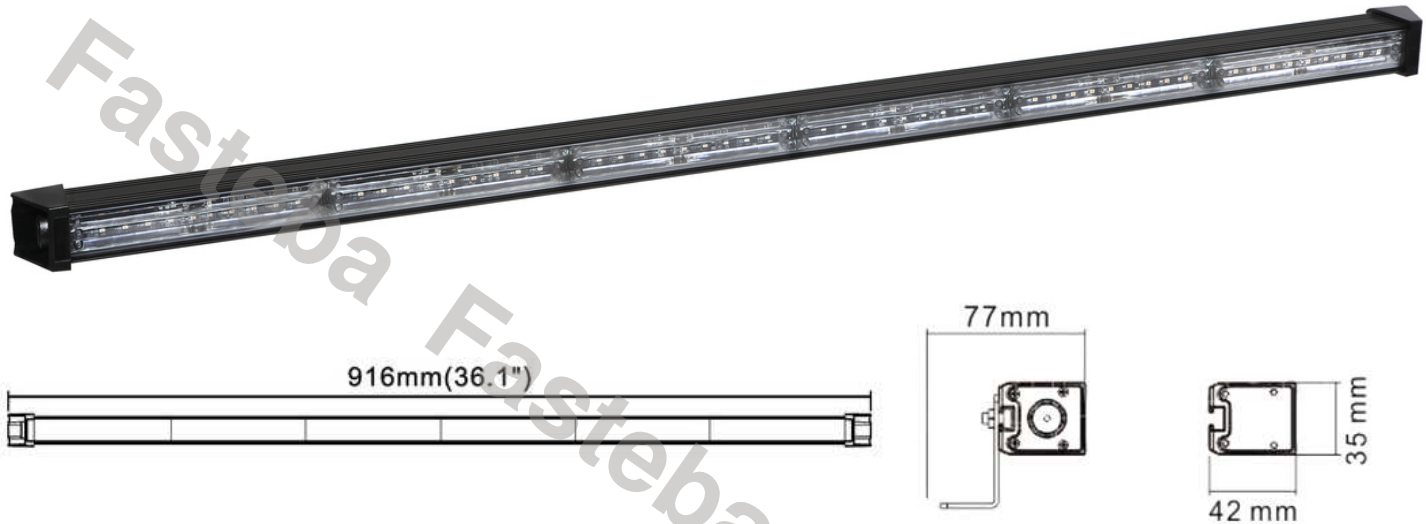


MATERIAL	LED QUANTITY	MOUNTING	CABLE	FUNCTION	WATT	VOLTAGE	CERTIFICATES	PACKING/WEIGHT
<ul style="list-style-type: none"> » Lens: PC » Housing: AL 	<ul style="list-style-type: none"> » 36 	<ul style="list-style-type: none"> » screws 	<ul style="list-style-type: none"> » 3m cable with plug for lighter socket 	<ul style="list-style-type: none"> » 6 warning flashes 	<ul style="list-style-type: none"> » 30W 	<ul style="list-style-type: none"> » 12V/24V 	<ul style="list-style-type: none"> » ECE R10 » ECE R65 	<ul style="list-style-type: none"> » cart. dim.: 100x100x100 mm » lamp weight: 1000 g » 1 pc/bulk box

LED WARNING LIGHTBAR 916X35 R65 R10

Reference: FA35123

PHOTO AND TECHNICAL DRAWING:



TECHNICAL SPECIFICATIONS:

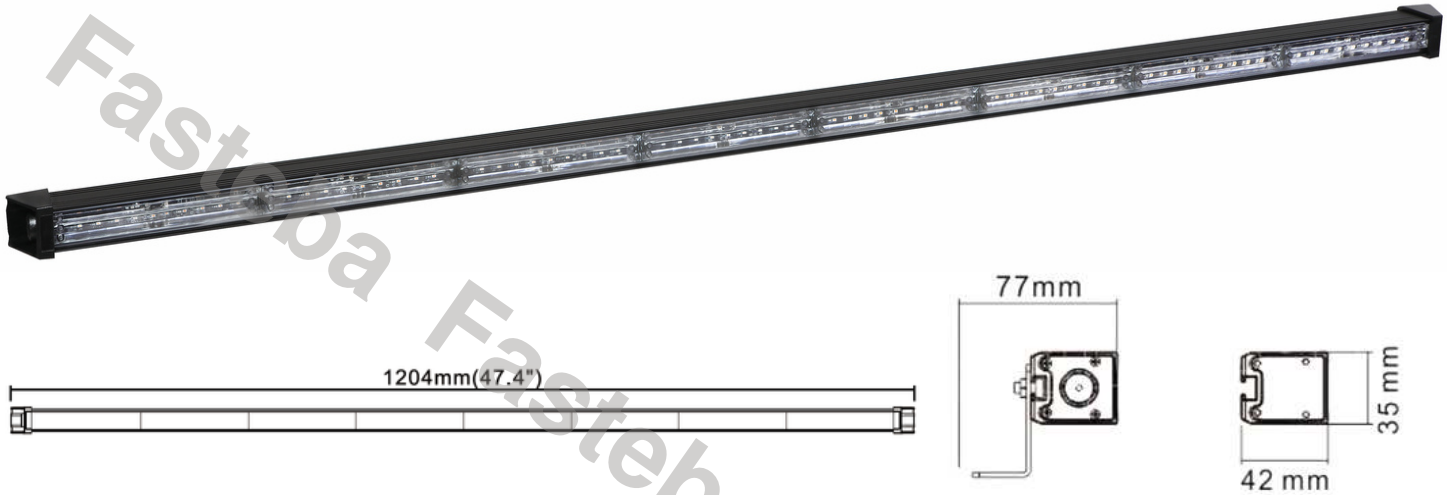


MATERIAL	LED QUANTITY	MOUNTING	CABLE	FUNCTION	WATT	VOLTAGE	CERTIFICATES	PACKING/ WEIGHT
<ul style="list-style-type: none"> » Lens: PC » Housing: AL 	<ul style="list-style-type: none"> » 54 	<ul style="list-style-type: none"> » screws 	<ul style="list-style-type: none"> » 3m cable with plug for lighter socket 	<ul style="list-style-type: none"> » 6 warning flashes 	<ul style="list-style-type: none"> » 44W 	<ul style="list-style-type: none"> » 12V/24V 	<ul style="list-style-type: none"> » ECE R10 » ECE R65 	<ul style="list-style-type: none"> » cart. dim.: x mm » lamp weight: x g » 2 pc/bulk box

LED WARNING LIGHTBAR 1204X35 R65 R10

Reference: FA35124

PHOTO AND TECHNICAL DRAWING:



TECHNICAL SPECIFICATIONS:



MATERIAL	LED QUANTITY	MOUNTING	CABLE	FUNCTION	WATT	VOLTAGE	CERTIFICATES	PACKING/WEIGHT
<ul style="list-style-type: none"> » Lens: PC » Housing: AL 	<ul style="list-style-type: none"> » 72 	<ul style="list-style-type: none"> » screws 	<ul style="list-style-type: none"> » 3m cable with plug for lighter socket 	<ul style="list-style-type: none"> » 6 warning flashes 	<ul style="list-style-type: none"> » 58W 	<ul style="list-style-type: none"> » 12V/24V 	<ul style="list-style-type: none"> » ECE R10 » ECE R65 	<ul style="list-style-type: none"> » cart. dim.: 113x113x136 mm » lamp weight: 1500 g » 1 pc/bulk box