



**Fasteba**



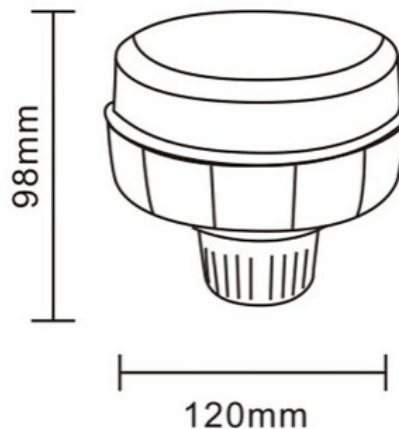
# Ledverlichting

Contact informatie  
[www.fasteba.com](http://www.fasteba.com)  
[info@fasteba.com](mailto:info@fasteba.com)

# WARNING LAMP 12 LED\*3W R65 R10 STIFF MOUNTING

## PHOTO AND TECHNICAL DRAWING:

Reference: FA34001



## TECHNICAL SPECIFICATIONS:

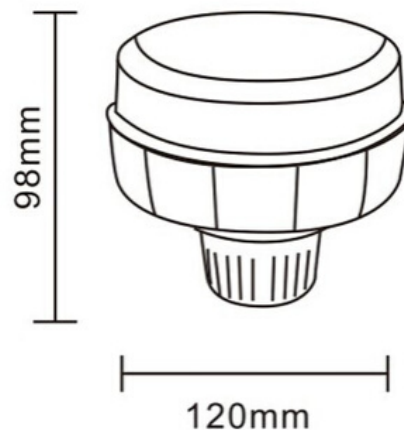


MATERIAL	LED QUANTITY	MOUNTING	CABLE	FUNCTION	WATT	VOLTAGE	CERTIFICATES	PACKING/WEIGHT
<ul style="list-style-type: none"> <li>» Lens: PC</li> <li>» Housing: ABS</li> </ul>	<ul style="list-style-type: none"> <li>» 12</li> </ul>	<ul style="list-style-type: none"> <li>» stiff mounting</li> </ul>	<ul style="list-style-type: none"> <li>» -----</li> </ul>	<ul style="list-style-type: none"> <li>» 1 warning flash</li> </ul>	<ul style="list-style-type: none"> <li>» 36W</li> </ul>	<ul style="list-style-type: none"> <li>» 12V/24V</li> </ul>	<ul style="list-style-type: none"> <li>» ECE R65</li> <li>» ECE R10</li> </ul>	<ul style="list-style-type: none"> <li>» cart. dim.: 150x150x140 mm</li> <li>» lamp weight: 340g</li> <li>» 20 pcs/bulk box</li> </ul>

# ROTATING WARNING LAMP 8LED 13W R65 R10 STIFF MOUNTING

## PHOTO AND TECHNICAL DRAWING:

Reference: FA34002



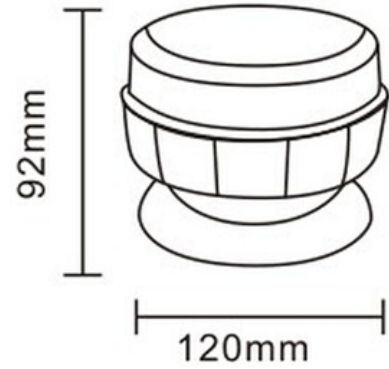
## TECHNICAL SPECIFICATIONS:

MATERIAL	LED QUANTITY	MOUNTING	CABLE	FUNCTION	WATT	VOLTAGE	CERTIFICATES	PACKING/WEIGHT
<ul style="list-style-type: none"> <li>» Lens: PC</li> <li>» Housing: ABS</li> </ul>	<ul style="list-style-type: none"> <li>» 8</li> </ul>	<ul style="list-style-type: none"> <li>» stiff mounting</li> </ul>	<ul style="list-style-type: none"> <li>» -----</li> </ul>	<ul style="list-style-type: none"> <li>» 1 rotating flash</li> </ul>	<ul style="list-style-type: none"> <li>» 13W</li> </ul>	<ul style="list-style-type: none"> <li>» 12V/24V</li> </ul>	<ul style="list-style-type: none"> <li>» ECE R65</li> <li>» ECE R10</li> </ul>	<ul style="list-style-type: none"> <li>» cart. dim: 150x150x140 mm</li> <li>» lamp weight: 330g</li> <li>» 20 pcs/bulk box</li> </ul>

# WARNING LAMP LED 12 LED\*3W R65 R10 MAGNET

PHOTO AND TECHNICAL DRAWING:

Reference: FA34003



TECHNICAL SPECIFICATION:

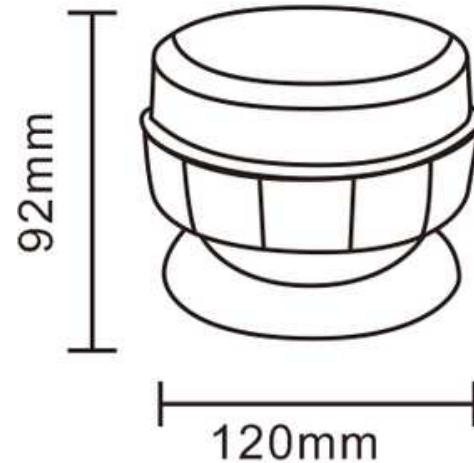


MATERIAL	LED QUANTITY	MOUNTING	CABLE	FUNCTION	WATT	VOLTAGE	CERTIFICATES	PACKING/WEIGHT
» Lens: PC » Housing: ABS	» 12	» magnet	» 3000mm spiral cable with plug for lighter socket	» 1 warning flash	» 36W	» 12V/24V	» ECE R65 » ECE R10	» cart. dim: 150x150x140 mm » lamp weight: 530g » 20 pcs/bulk box

# ROTATING WARNING LAMP 8LED 13W R65 R10 MAGNET

## PHOTO AND TECHNICAL DRAWING:

Reference: FA34004



## TECHNICAL SPECIFICATIONS:

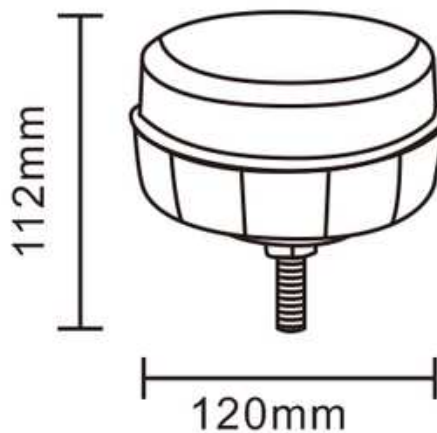


MATERIAL	LED QUANTITY	MOUNTING	CABLE	FUNCTION	WATT	VOLTAGE	CERTIFICATES	PACKING/WEIGHT
<ul style="list-style-type: none"> <li>» Lens: PC</li> <li>» Housing: ABS</li> </ul>	» 8	» magnet	» 3000mm spiral cable with plug for lighter socket	» 1 rotating flash	» 13W	» 12V/24V	<ul style="list-style-type: none"> <li>» ECE R65</li> <li>» ECE R10</li> </ul>	<ul style="list-style-type: none"> <li>» cart. dim.: 150x150x140 mm</li> <li>» lamp weight: 490g</li> <li>» 20 pcs/bulk box</li> </ul>

# ROTATING WARNING LAMP 8LED 13W R65 R10 SCREW

## PHOTO AND TECHNICAL DRAWING:

Reference: FA34006



## TECHNICAL SPECIFICATIONS:

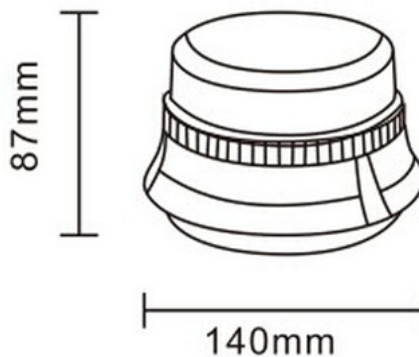


MATERIAL	LED QUANTITY	MOUNTING	CABLE	FUNCTION	WATT	VOLTAGE	CERTIFICATES	PACKING/WEIGHT
» Lens: PC » Housing: ABS	» 8	» screw	» 100mm	» 1 rotating flash	» 13W	» 12V/24V	» ECE R65 » ECE R10	» cart. dim.: 150x150x140 mm » lamp weight: 370g » 20 pcs/bulk box

# WARNING LAMP 12 LED\*3W R65 R10 MAGNET

## PHOTO AND TECHNICAL DRAWING:

Reference: FA34007



## TECHNICAL SPECIFICATIONS:

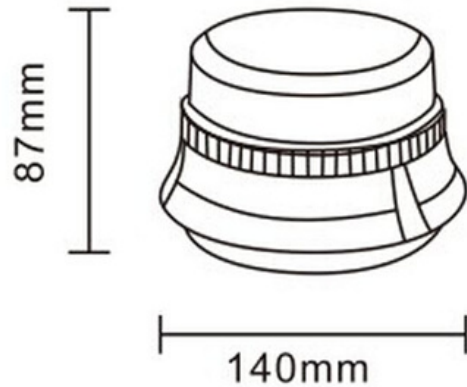


MATERIAL	LED QUANTITY	MOUNTING	CABLE	FUNCTION	WATT	VOLTAGE	CERTIFICATES	PACKING/WEIGHT
<ul style="list-style-type: none"> <li>» Lens: PC</li> <li>» Housing: ABS</li> </ul>	<ul style="list-style-type: none"> <li>» 12</li> </ul>	<ul style="list-style-type: none"> <li>» magnet</li> </ul>	<ul style="list-style-type: none"> <li>» 3000mm spiral cable with plug for lighter socket</li> </ul>	<ul style="list-style-type: none"> <li>» 1 warning flash</li> </ul>	<ul style="list-style-type: none"> <li>» 36W</li> </ul>	<ul style="list-style-type: none"> <li>» 12V/24V</li> </ul>	<ul style="list-style-type: none"> <li>» ECE R65</li> <li>» ECE R10</li> </ul>	<ul style="list-style-type: none"> <li>» cart. dim: 150x150x140 mm</li> <li>» lamp weight: 610g</li> <li>» 20 pcs/bulk box</li> </ul>

# ROTATING WARNING LAMP 8LED 13W R65 R10 MAGNET

## PHOTO AND TECHNICAL DRAWING:

Reference: FA34008



## TECHNICAL SPECIFICATIONS:



MATERIAL	LED QUANTITY	MOUNTING	CABLE	FUNCTION	WATT	VOLTAGE	CERTIFICATES	PACKING/WEIGHT
<ul style="list-style-type: none"> <li>» Lens: PC</li> <li>» Housing: ABS</li> </ul>	» 8	» magnet	» 3000mm spiral cable with plug for lighter socket	» 1 rotating flash	» 13W	» 12V/24V	<ul style="list-style-type: none"> <li>» ECE R65</li> <li>» ECE R10</li> </ul>	<ul style="list-style-type: none"> <li>» cart. dim.: 150x150x140 mm</li> <li>» lamp weight: 520g</li> <li>» 20 pcs/bulk box</li> </ul>

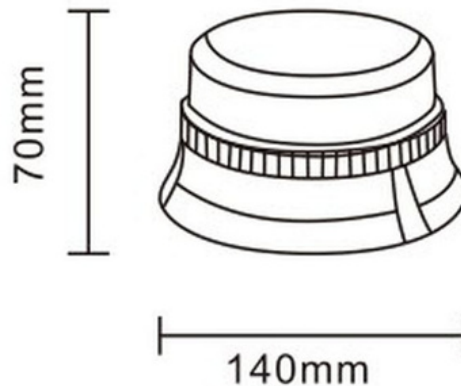


# WARNING LAMP 12 LED R65 R10 3 SCREWS

## WARNING LAMP 12 LED R65 WITH 3M CABLES

PHOTO AND TECHNICAL DRAWING:

Reference: FA34009



TECHNICAL SPECIFICATIONS:

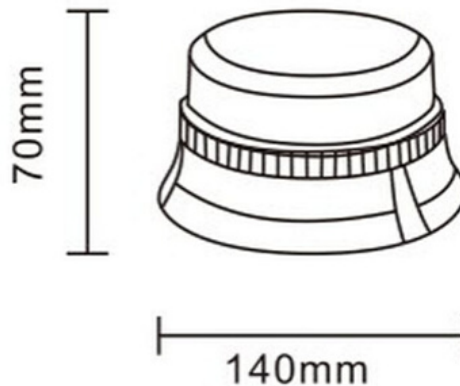


MATERIAL	LED QUANTITY	MOUNTING	CABLE	FUNCTION	WATT	VOLTAGE	CERTIFICATES	PACKING/WEIGHT
<ul style="list-style-type: none"> <li>» Lens: PC</li> <li>» Housing: ABS</li> </ul>	<ul style="list-style-type: none"> <li>» 12</li> </ul>	<ul style="list-style-type: none"> <li>» 3 screws</li> </ul>	<ul style="list-style-type: none"> <li>» 3000mm</li> </ul>	<ul style="list-style-type: none"> <li>» 1 warning flash</li> </ul>	<ul style="list-style-type: none"> <li>» 36W</li> </ul>	<ul style="list-style-type: none"> <li>» 12V/24V</li> </ul>	<ul style="list-style-type: none"> <li>» ECE R65</li> <li>» ECE R10</li> </ul>	<ul style="list-style-type: none"> <li>» cart. dim.: 150x150x140 mm</li> <li>» lamp weight: 450g</li> <li>» 20 pcs/bulk box</li> </ul>

# WARNING LAMP 12 LED\*3W R65 R10 3 SCREWS

## PHOTO AND TECHNICAL DRAWING:

Reference: FA34010



## TECHNICAL SPECIFICATIONS:

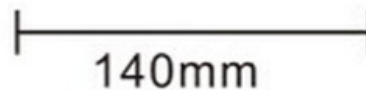
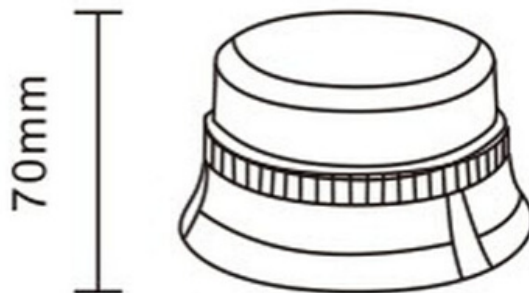


MATERIAL	LED QUANTITY	MOUNTING	CABLE	FUNCTION	WATT	VOLTAGE	CERTIFICATES	PACKING/ WEIGHT
» Lens: PC » Housing: ABS	» 12	» 3 screws	» 250mm	» 1 warning flash	» 36W	» 12V/24V	» ECE R65 » ECE R10	» cart. dim.: 150x150x140 mm » lamp weight: 330g » 20 pcs/bulk box

# ROTATING WARNING LAMP 8LED 13W R65 R10 3X SCREW

## PHOTO AND TECHNICAL DRAWING:

Reference: FA34011



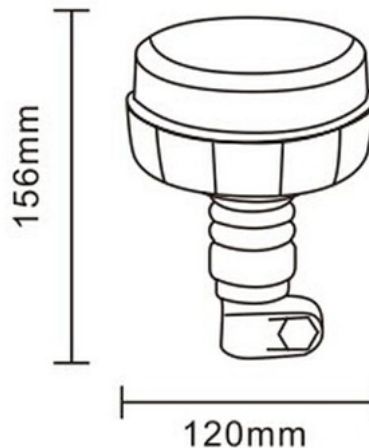
## TECHNICAL SPECIFICATIONS:

MATERIAL	LED QUANTITY	MOUNTING	CABLE	FUNCTION	WATT	VOLATAGE	CERTIFICATES	PACKING/WEIGHT
<ul style="list-style-type: none"> <li>» Lens: PC</li> <li>» Housing: ABS</li> </ul>	» 8	» 3 screws	» 250mm	» 1 rotating flash	» 13W	» 12V/24V	<ul style="list-style-type: none"> <li>» ECE R65</li> <li>» ECE R10</li> </ul>	<ul style="list-style-type: none"> <li>» cart. dim.: 150x150x140 mm</li> <li>» lamp weight: 340g</li> <li>» 20 pcs/bulk box</li> </ul>

# WARNING LAMP 12XLED\*3W R65 R10 FLEX

## PHOTO AND TECHNICAL DRAWING:

Reference: FA34012



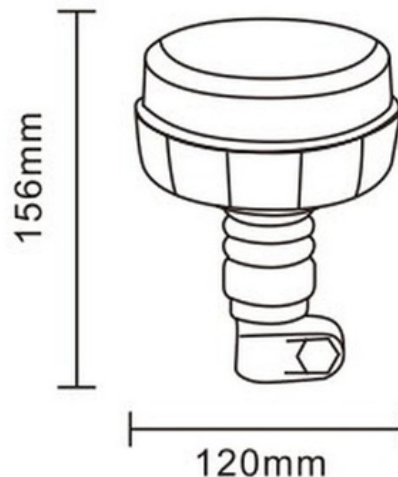
## TECHNICAL SPECIFICATIONS:

MATERIAL	LED QUANTITY	MOUNTING	CABLE	FUNCTION	WATT	VOLTAGE	CERTIFICATES	PACKING/WEIGHT
» Lens: PC » Housing: ABS	» 12	» flex	» -----	» 1 warning flash	» 36W	» 12V/24V	» ECE R65 » ECE R10	» cart. dim.: 150x150x190 mm » lamp weight: 420g » 20 pcs/bulk box

# ROTATING WARNING LAMP 8LED 13W R65 R10 FLEX

## PHOTO AND TECHNICAL DRAWING:

Reference: FA34013



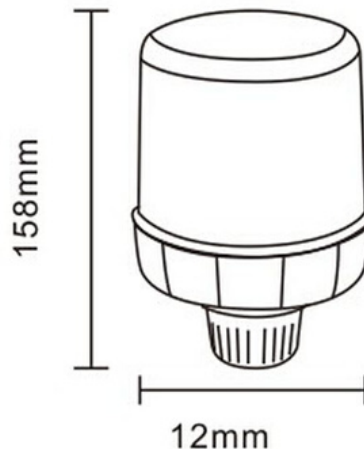
## TECHNICAL SPECIFICATIONS:

MATERIAL	LED QUANTITY	MOUNTING	CABLE	FUNCTION	WATT	VOLTAGE	CERTIFICATES	PACKING/WEIGHT
<ul style="list-style-type: none"> <li>» Lens: PC</li> <li>» Housing: ABS</li> </ul>	» 8	» flex	» -----	» 1 rotating fflash	» 13W	» 12V/24V	<ul style="list-style-type: none"> <li>» ECE R65</li> <li>» ECE R10</li> </ul>	<ul style="list-style-type: none"> <li>» cart. dim.: 150x150x190 mm</li> <li>» waga lampy: 420g</li> <li>» 20 pcs/bulk box</li> </ul>

# WARNING LAMP 18XLED\*3W R65 R10 STIFF MOUNTING

## PHOTO AND TECHNICAL DRAWING:

Reference: 34014



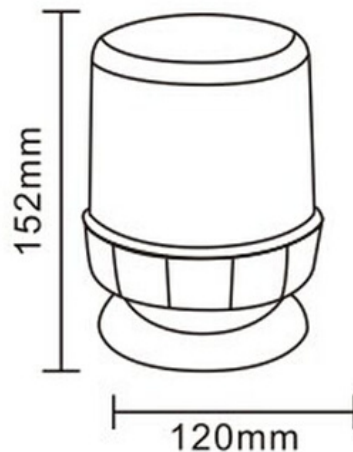
## TECHNICAL SPECIFICATIONS:

MATERIAL	LED QUANTITY	MOUNTING	CABLE	FUNCTION	WATT	VOLTAGE	CERTIFICATES	PACKING/WEIGHT
» Lens: PC » Housing: ABS	» 18	» stiff mounting	» -----	» 1 warning flash	» 54W	» 12V/24V	» ECE R65 » ECE R10	» cart. dim.: 150x150x210 mm » lamp weight: 580g » 20 pcs/bulk box

# WARNING LAMP 18XLED\*3W R65 R10 MAGNET

## PHOTO AND TECHNICAL DRAWING:

Reference: 34015



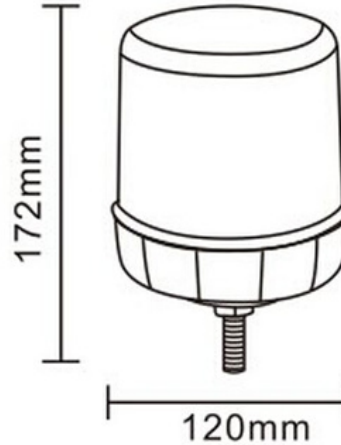
## TECHNICAL SPECIFICATIONS:

MATERIAL	LED QUANTITY	MOUNTING	CABLE	FUNCTION	WATT	VOLTAGE	CERTIFICATES	PACKING/WEIGHT
» Lens: PC » Housing: ABS	» 18	» magnet	» 3000mm spiral cable with plug for lighter socket	» 1 warning flash	» 54W	» 12V/24V	» ECE R65 » ECE R10	» cart. dim.: 150x150x190 mm » lamp weight: 750g » 20 pcs/bulk box

# WARNING LAMP 18XLED\*3W R65 R10 SCREW

## PHOTO AND TECHNICAL DRAWING:

Reference: FA34016



## TECHNICAL SPECIFICATIONS:



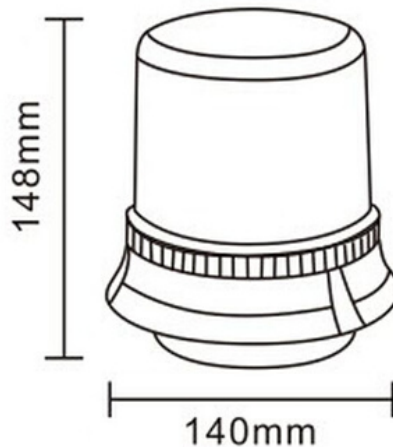
MATERIAL	LED QUANTITY	MOUNTING	CABLE	FUNCTION	WATT	VOLTAGE	CERTIFICATES	PACKING/ WEIGHT
» Lens: PC » Housing: ABS	» 18	» screw	» 100mm	» 1 warning flash	» 54W	» 12V/24V	» ECE R65 » ECE R10	» cart. dim.: 150x150x210 mm » lamp weight: 610g » 20 pcs/bulk box



# WARNING LAMP 18XLED\*3W R65 R10 MAGNET

## PHOTO AND TECHNICAL DRAWING:

Reference: 34017



## TECHNICAL SPECIFICATIONS:

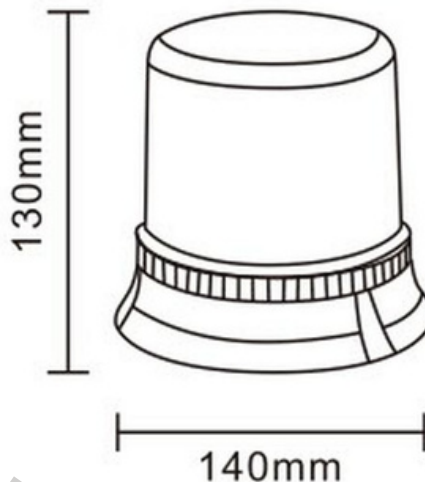


MATERIAL	LED QUANTITY	MOUNTING	CABLE	FUNCTION	WATT	VOLTAGE	CERTIFICATES	PACKING/WEIGHT
<ul style="list-style-type: none"> <li>» Lens: PC</li> <li>» Housing: ABS</li> </ul>	<ul style="list-style-type: none"> <li>» 18</li> </ul>	<ul style="list-style-type: none"> <li>» magnet</li> </ul>	<ul style="list-style-type: none"> <li>» 3000mm spiral cable with plug for lighter socket</li> </ul>	<ul style="list-style-type: none"> <li>» 1 warning flash</li> </ul>	<ul style="list-style-type: none"> <li>» 54W</li> </ul>	<ul style="list-style-type: none"> <li>» 12V/24V</li> </ul>	<ul style="list-style-type: none"> <li>» ECE R65</li> <li>» ECE R10</li> </ul>	<ul style="list-style-type: none"> <li>» cart. dim.: 150x150x190 mm</li> <li>» lamp weight: 810g</li> <li>» 20 pcs/bulk box</li> </ul>

# WARNING LAMP 18XLED\*3W R65 R10 3 SCREWS

## PHOTO AND TECHNICAL DRAWING:

Reference: FA34018



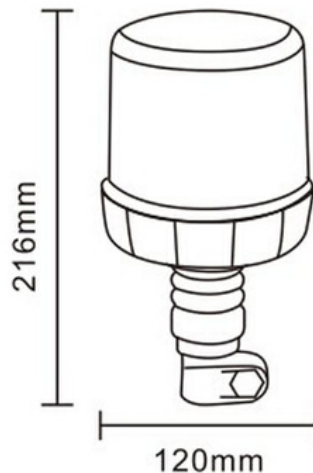
## TECHNICAL SPECIFICATIONS:

MATERIAL	LED QUANTITY	MOUNTING	CABLE	FUNCTION	WATT	VOLTAGE	CERTIFICATES	PACKING/WEIGHT
» Lens: PC » Housing: ABS	» 18	» 3 screws	» 300mm	» 1 warning flash	» 54W	» 12V/24V	» ECE R65 » ECE R10	» cart. dim.: 150x150x190 mm » lamp weight: 580g » 20 pcs/bulk box

# WARNING LAMP 18XLED\*3W R65 R10 FLEX

## PHOTO AND TECHNICAL DRAWING:

Reference: FA34019



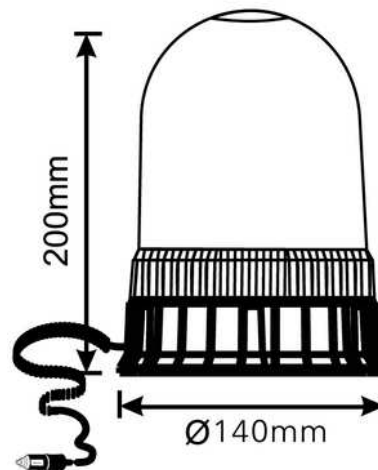
## TECHNICAL SPECIFICATIONS:

MATERIAL	LED QUANTITY	MOUNTING	CABLE	FUNCTION	WATT	VOLTAGE	CERTIFICATES	PACKING/WEIGHT
» Lens: PC » Housing: ABS	» 18	» flex	» ----	» 1 warning flash	» 54W	» 12V/24V	» ECE R65 » ECE R10	» cart. dim.: 150x150x260 mm » lamp weight: 680g » 20 pcs/bulk box

# WARNING LAMP 24XLED\*3W R65 R10 MAGNET

## PHOTO AND TECHNICAL DRAWING:

Reference: FA34020



## TECHNICAL SPECIFICATIONS:

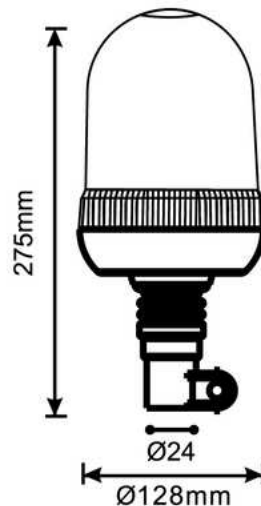


MATERIAL	LED QUANTITY	MOUNTING	CABLE	FUNCTION	WATT	VOLTAGE	CERTIFICATES	PACKING/WEIGHT
<ul style="list-style-type: none"> <li>» Lens: PC</li> <li>» Housing: ABS</li> </ul>	<ul style="list-style-type: none"> <li>» 24</li> </ul>	<ul style="list-style-type: none"> <li>» magnet</li> </ul>	<ul style="list-style-type: none"> <li>» 3m spiral cable with plug for lighter socket</li> </ul>	<ul style="list-style-type: none"> <li>» 1 warning flash</li> </ul>	<ul style="list-style-type: none"> <li>» 38W</li> </ul>	<ul style="list-style-type: none"> <li>» 12V/24V</li> </ul>	<ul style="list-style-type: none"> <li>» ECE R65</li> <li>» ECE R10</li> </ul>	<ul style="list-style-type: none"> <li>» cart. dim.: 150x150x220 mm</li> <li>» lamp weight: 830g</li> <li>» 20 pcs/bulk box</li> </ul>

# WARNING LAMP 24X LED\*3W R65 R10 FLEX

## PHOTO AND TECHNICAL DRAWING:

Reference: FA34021



## TECHNICAL SPECIFICATIONS:

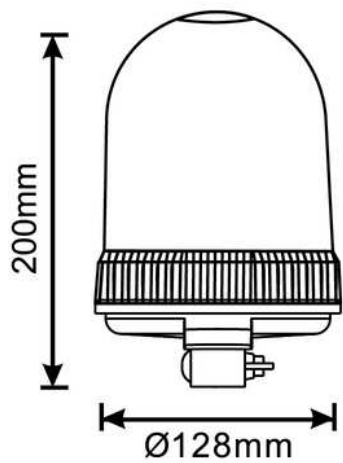


MATERIAL	LED QUANTITY	MOUNTING	CABLE	FUNCTION	WATT	VOLTAGE	CERTIFICATES	PACKING/WEIGHT
<ul style="list-style-type: none"> <li>» Lens: PC</li> <li>» Housing: ABS</li> </ul>	» 24	» flex	» ----	» 1 warning flash	» 38W	» 12V/24V	<ul style="list-style-type: none"> <li>» ECE R65</li> <li>» ECE R10</li> </ul>	<ul style="list-style-type: none"> <li>» cart. dim.: 140x140x300 mm</li> <li>» lamp weight: 675g</li> <li>» 20 pcs/bulk box</li> </ul>

# WARNING LAMP 24X LED\*3W R65 R10 STIFF MOUNTING

PHOTO AND TECHNICAL DRAWING:

Reference: FA34022



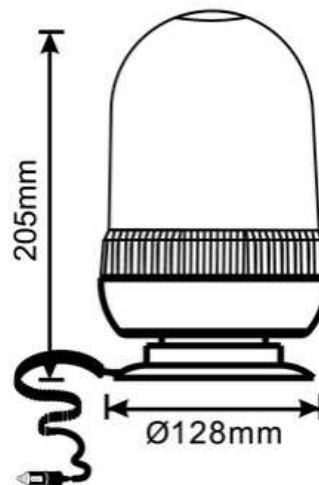
TECHNICAL SPECIFICATIONS:

MATERIAL	LED QUANTITY	MOUNTING	CABLE	FUNCTION	WATT	VOLTAGE	CERTIFICATES	PACKING/WEIGHT
» Lens: PC » Housing: ABS	» 24	» stiff mounting	» ----	» 1 warning flash	» 38W	» 12V/24V	» ECE R65 » ECE R10	» cart. dim.: 140x140x220 mm » lamp weight: 630g » 20 pcs/bulk box

# WARNING LAMP 24XLED\*3W R65 R10 MAGNET

## PHOTO AND TECHNICAL DRAWING:

Reference: FA34023



## TECHNICAL SPECIFICATIONS:

MATERIAL	LED QUANTITY	MOUNTING	CABLE	FUNCTION	WATT	VOLTAGE	CERTIFICATES	PACKING/WEIGHT
<ul style="list-style-type: none"> <li>» Lens: PC</li> <li>» Housing: ABS</li> </ul>	<ul style="list-style-type: none"> <li>» 24</li> </ul>	<ul style="list-style-type: none"> <li>» magnet</li> </ul>	<ul style="list-style-type: none"> <li>» 3m spiral cable with plug for lighter socket</li> </ul>	<ul style="list-style-type: none"> <li>» 1 warning flash</li> </ul>	<ul style="list-style-type: none"> <li>» 38W</li> </ul>	<ul style="list-style-type: none"> <li>» 12V/24V</li> </ul>	<ul style="list-style-type: none"> <li>» ECE R65</li> <li>» ECE R10</li> </ul>	<ul style="list-style-type: none"> <li>» cart. dim.: 150x150x220 mm</li> <li>» lamp weight: 770g</li> <li>» 20 pcs/bulk box</li> </ul>

# WARNING LAMP 18XLED\*3W R65 R10 STIFF MOUNTING

## PHOTO AND TECHNICAL DRAWING:

Reference: FA34024



## TECHNICAL SPECIFICATIONS:

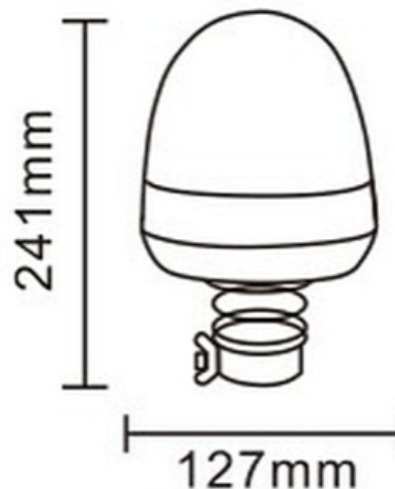
MATERIAL	LED QUANTITY	MOUNTING	CABLE	FUNCTION	WATT	VOLTAGE	CERTIFICATES	PACKING/ WEIGHT
<ul style="list-style-type: none"> <li>» Lens: PC</li> <li>» Housing: ABS</li> </ul>	<ul style="list-style-type: none"> <li>» 18</li> </ul>	<ul style="list-style-type: none"> <li>» stiff mounting</li> </ul>	<ul style="list-style-type: none"> <li>» ----</li> </ul>	<ul style="list-style-type: none"> <li>» 1 warning flash</li> </ul>	<ul style="list-style-type: none"> <li>» 57W</li> </ul>	<ul style="list-style-type: none"> <li>» 12V/24V</li> </ul>	<ul style="list-style-type: none"> <li>» ECE R65</li> <li>» ECE R10</li> </ul>	<ul style="list-style-type: none"> <li>» cart. dim.: 130x130x300 mm</li> <li>» lamp weight: 650g</li> <li>» 20 pcs/bulk box</li> </ul>



# WARNING LAMP 16XLED\*3W R65 R10 FLEX

## PHOTO AND TECHNICAL DRAWING:

Reference: FA34025



## TECHNICAL SPECIFICATIONS:

MATERIAL	LED QUANTITY	MOUNTING	CABLE	FUNCTION	WATT	VOLTAGE	CERTIFICATES	PACKING/WEIGHT
» Lens: PC » Housing: ABS	» 16	» flex	» ----	» 1 warning flash	» 28W	» 12V/24V	» ECE R65 » ECE R10	» cart. dim.: 130x130x260 mm » lamp weight: 640g » 20 pcs/bulk box

# ROTATING WARNING LAMP 16LED 13W R65 R10 FLEX

## PHOTO AND TECHNICAL DRAWING:

Reference: FA34026



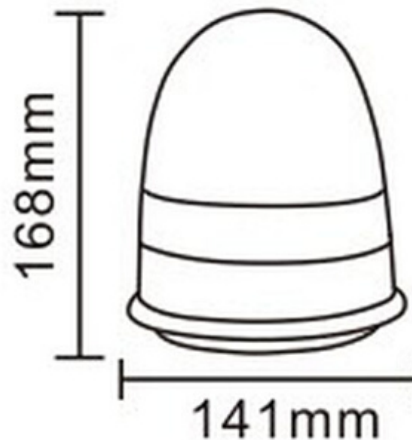
## TECHNICAL SPECIFICATIONS:

MATERIAL	LED QUANTITY	MOUNTING	CABLE	FUNCTION	WATT	VOLTAGE	CERTIFICATES	PACKING/WEIGHT
<ul style="list-style-type: none"> <li>» Lens: PC</li> <li>» Housing: PC</li> </ul>	<ul style="list-style-type: none"> <li>» 16</li> </ul>	<ul style="list-style-type: none"> <li>» flex</li> </ul>	<ul style="list-style-type: none"> <li>» -----</li> </ul>	<ul style="list-style-type: none"> <li>» 1 rotating flash</li> </ul>	<ul style="list-style-type: none"> <li>» 13W</li> </ul>	<ul style="list-style-type: none"> <li>» 12V/24V</li> </ul>	<ul style="list-style-type: none"> <li>» ECE R65</li> <li>» ECE R10</li> </ul>	<ul style="list-style-type: none"> <li>» cart. dim.: 150x150x260 mm</li> <li>» lamp weight: 640g</li> <li>» 20 pcs/bulk box</li> </ul>

# WARNING LAMP 16XLED\*3W R65 R10 MAGNET

## PHOTO AND TECHNICAL DRAWING:

Reference: FA34027



## TECHNICAL SPECIFICATIONS:

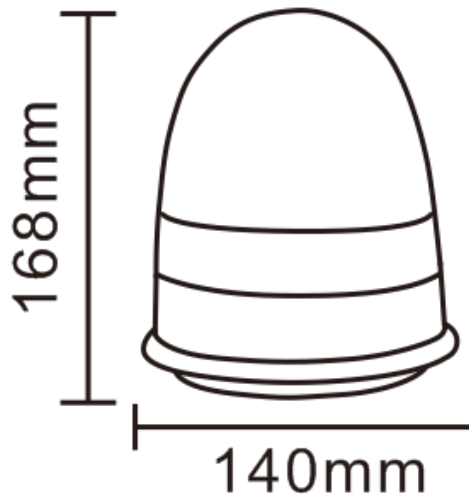


MATERIAL	LED QUANTITY	MOUNTING	CABLE	FUNCTION	WATT	VOLTAGE	CERTIFICATES	PACKING/WEIGHT
<ul style="list-style-type: none"> <li>» Lens: PC</li> <li>» Housing: ABS</li> </ul>	<ul style="list-style-type: none"> <li>» 16</li> </ul>	<ul style="list-style-type: none"> <li>» magnet</li> </ul>	<ul style="list-style-type: none"> <li>» 3m spiral cable with plug for lighter socket</li> </ul>	<ul style="list-style-type: none"> <li>» 1 warning flash</li> </ul>	<ul style="list-style-type: none"> <li>» 28W</li> </ul>	<ul style="list-style-type: none"> <li>» 12V/24V</li> </ul>	<ul style="list-style-type: none"> <li>» ECE R65</li> <li>» ECE R10</li> </ul>	<ul style="list-style-type: none"> <li>» cart. dim.: 150x150x190 mm</li> <li>» lamp weight: 800g</li> <li>» 20 pcs/bulk box</li> </ul>

# ROTATING WARNING LAMP 16LED 13W R65 R10 MAGNET

## PHOTO AND TECHNICAL DRAWING:

Reference: FA34028



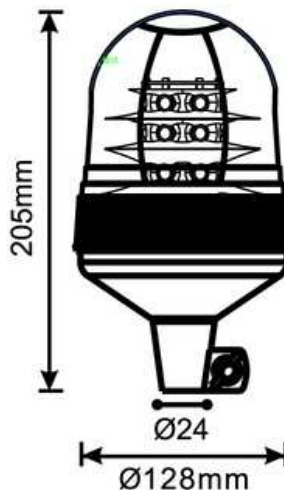
## TECHNICAL SPECIFICATIONS:

MATERIAL	LED QUANTITY	MOUNTING	CABLE	FUNCTION	WATT	VOLTAGE	CERTIFICATES	PACKING/WEIGHT
<ul style="list-style-type: none"> <li>» Lens: PC</li> <li>» Housing: PC</li> </ul>	<ul style="list-style-type: none"> <li>» 16</li> </ul>	<ul style="list-style-type: none"> <li>» magnet</li> </ul>	<ul style="list-style-type: none"> <li>» 3m spiral cable with plug for lighter socket</li> </ul>	<ul style="list-style-type: none"> <li>» 1 rotating flash</li> </ul>	<ul style="list-style-type: none"> <li>» 13W</li> </ul>	<ul style="list-style-type: none"> <li>» 12V/24V</li> </ul>	<ul style="list-style-type: none"> <li>» ECE R65</li> <li>» ECE R10</li> </ul>	<ul style="list-style-type: none"> <li>» cart. dim.: 150x150x190 mm</li> <li>» lamp weight: 710g</li> <li>» 20 pcs/bulk box</li> </ul>

# WARNING LAMP 18XLED\*3W R65 R10 STIFF MOUNTING

## PHOTO AND TECHNICAL DRAWING:

Reference: FA34029



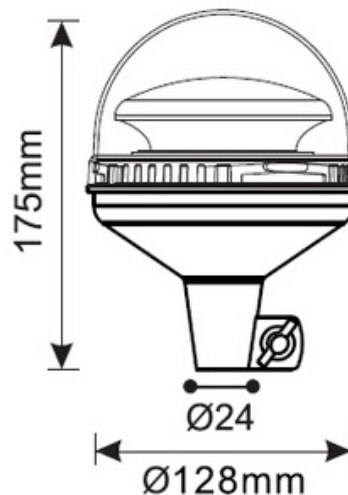
## TECHNICAL SPECIFICATIONS:

MATERIAL	LED QUANTITY	MOUNTING	CABLE	FUNCTION	WATT	VOLTAGE	CERTIFICATES	PACKING/WEIGHT
<ul style="list-style-type: none"> <li>» Lens: PC</li> <li>» Housing: ABS</li> </ul>	<ul style="list-style-type: none"> <li>» 18</li> </ul>	<ul style="list-style-type: none"> <li>» stiff mounting</li> </ul>	<ul style="list-style-type: none"> <li>» ----</li> </ul>	<ul style="list-style-type: none"> <li>» 1 warning flash</li> </ul>	<ul style="list-style-type: none"> <li>» 14-24W</li> </ul>	<ul style="list-style-type: none"> <li>» 12V/24V</li> </ul>	<ul style="list-style-type: none"> <li>» ECE R65</li> <li>» ECE R10</li> </ul>	<ul style="list-style-type: none"> <li>» cart. dim.: 140x140x220 mm</li> <li>» lamp weight: 590g</li> <li>» 20 pcs/bulk box</li> </ul>

# WARNING LAMP 45XLED\*3W R65 R10

## PHOTO AND TECHNICAL DRAWING:

Reference: FA34030



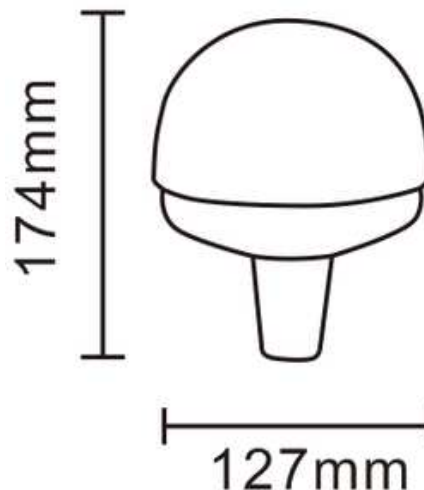
## SPECYFIKACJA TECHNICZNA:

MATERIAL	LED QUANTITY	MOUNTING	CABLE	FUNCTION	WATT	VOLTAGE	CERTIFICATES	PACKING/ WEIGHT
» Lens: PC » Housing: ABS	» 45	» stiff mounting	» ----	» 2 warning flashes	» 20W	» 12V/24V	» ECE R65 » ECE R10	» cart. dim.: 140x140x220 mm » lamp weight: 420g » 20 pcs/bulk box

# ROTATING WARNING LAMP 8LED 13W R65 R10

## PHOTO AND TECHNICAL DRAWING:

Reference: FA34031



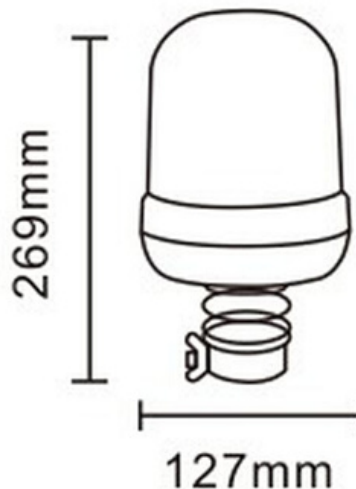
## TECHNICAL SPECIFICATIONS:

MATERIAL	LED QUANTITY	MOUNTING	CABLE	FUNCTION	WATT	VOLTAGE	CERTIFICATES	PACKING/WEIGHT
<ul style="list-style-type: none"> <li>» Lens: PC</li> <li>» Housing: PC</li> </ul>	<ul style="list-style-type: none"> <li>» 8</li> </ul>	<ul style="list-style-type: none"> <li>» 1 stiff mounting</li> </ul>	<ul style="list-style-type: none"> <li>» -----</li> </ul>	<ul style="list-style-type: none"> <li>» 1 rotating flash</li> </ul>	<ul style="list-style-type: none"> <li>» 13W</li> </ul>	<ul style="list-style-type: none"> <li>» 12V/24V</li> </ul>	<ul style="list-style-type: none"> <li>» ECE R65</li> <li>» ECE R10</li> </ul>	<ul style="list-style-type: none"> <li>» cart. dim.: 130x130x220 mm</li> <li>» lamp weight: 590g</li> <li>» 20 pcs/bulk box</li> </ul>

# WARNING LAMP 18XLED\*3W R65 R10 FLEX

## PHOTO AND TECHNICAL DRAWING:

Reference: FA34032



## TECHNICAL SPECIFICATIONS:

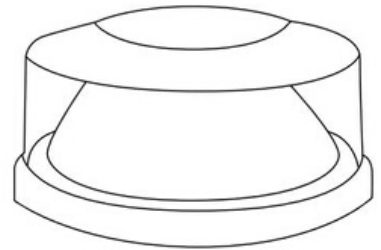
MATERIAL	LED QUANTITY	MOUNTING	CABLE	FUNCTION	WATT	VOLTAGE	CERTIFICATES	PACKING/WEIGHT
» Lens: PC » Housing: PP	» 18	» flex	» ----	» 1 warning flash	» 18W	» 12V/24V	» ECE R65 » ECE R10	» cart. dim.: 130x130x300 mm » lamp weight: 730g » 20 pcs/bulk box



# WARNING LAMP LED OCTAGON II R65 R10 MAGNET

**PHOTO AND TECHNICAL DRAWING:**

Reference: FA34033



72 mm

150 mm

**TECHNICAL SPECIFICATIONS:**

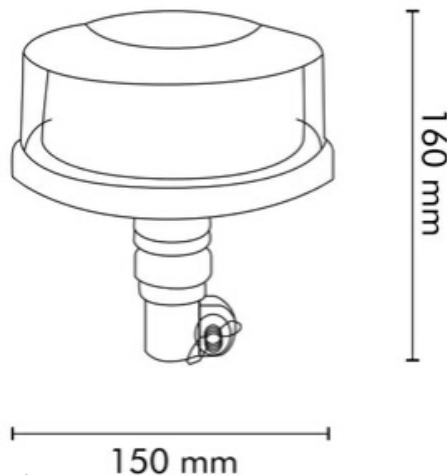


MATERIAL	LED QUANTITY	MOUNTING	CABLE	FUNCTION	WATT	VOLTAGE	CERTIFICATES	PACKING/WEIGHT
» Lens: PC » Housing: PC	» 48	» magnet	» 3m spiral cable with plug for lighter socket	» 1 warning flash	» 24W	» 12V/24V	» ECE R65 » ECE R10	» cart. dim.: 210x190x90 mm » lamp weight: 540g » 20 pcs/bulk box

# WARNING LAMP LED OCTAGON II R65 WITH FLEX

## PHOTO AND TECHNICAL DRAWING:

Reference: FA34034



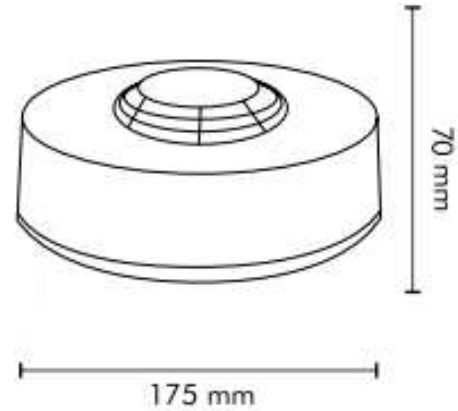
## TECHNICAL SPECIFICATIONS:

MATERIAL	LED QUANTITY	MOUNTING	CABLE	FUNCTION	WATT	VOLATGE	CERTIFICATES	PACKING/ WEIGHT
<ul style="list-style-type: none"> <li>» Lens: PC</li> <li>» Housing: PC</li> </ul>	<ul style="list-style-type: none"> <li>» 48</li> </ul>	<ul style="list-style-type: none"> <li>» flex</li> </ul>	<ul style="list-style-type: none"> <li>» -----</li> </ul>	<ul style="list-style-type: none"> <li>» 1 warning flash</li> </ul>	<ul style="list-style-type: none"> <li>» 24W</li> </ul>	<ul style="list-style-type: none"> <li>» 12V/24V</li> </ul>	<ul style="list-style-type: none"> <li>» ECE R65</li> <li>» ECE R10</li> </ul>	<ul style="list-style-type: none"> <li>» cart. dim.: 190x190x180 mm</li> <li>» lamp weight: 460g</li> <li>» 20 pcs/bulk box</li> </ul>

# WARNING LAMP LED UFO II R65 R10 MAGNET

## PHOTO AND TECHNICAL DRAWING:

Reference: FA34035



## TECHNICAL SPECIFICATIONS:

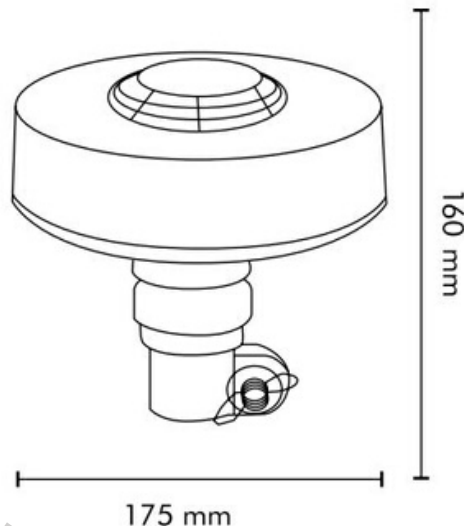


MATERIAL	LED QUANTITY	MOUNTING	CABLE	FUNCTION	WATT	VOLTAGE	CERTIFICATES	PACKING/WEIGHT
» Lens: PC » Housing: ABS	» 48	» magnet	» 3m spiral cable with plug for lighter socket	» 1 warning flash	» 24W	» 12V/24V	» ECE R65 » ECE R10	» cart. dim.: 210x190x90 mm » lamp weight: 660g » 20 pcs/bulk box

# WARNING LAMP LED UFO II R65 R10 WITH FLEX

## PHOTO AND TECHNICAL DRAWING:

Reference: FA34036



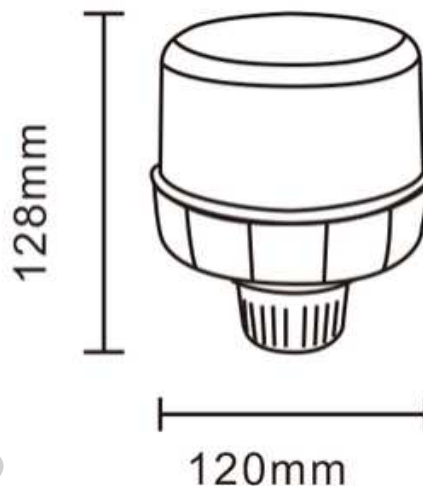
## TECHNICAL SPECIFICATIONS:

MATERIAL	LED QUANTITY	MOUNTING	CABLE	FUNCTION	WATT	VOLTAGE	CERTIFICATES	PACKING/WEIGHT
<ul style="list-style-type: none"> <li>» Lens: PC</li> <li>» Housing: ABS</li> </ul>	<ul style="list-style-type: none"> <li>» 48</li> </ul>	<ul style="list-style-type: none"> <li>» flex</li> </ul>	<ul style="list-style-type: none"> <li>» -----</li> </ul>	<ul style="list-style-type: none"> <li>» 1 warning flash</li> </ul>	<ul style="list-style-type: none"> <li>» 24W</li> </ul>	<ul style="list-style-type: none"> <li>» 12V/24V</li> </ul>	<ul style="list-style-type: none"> <li>» ECE R65</li> <li>» ECE R10</li> </ul>	<ul style="list-style-type: none"> <li>» car. dim.: 190x190x180 mm</li> <li>» lamp weight: 590g</li> <li>» 20 pcs/bulk box</li> </ul>

# ROTATING WARNING LAMP 8LED 13W R65 R10 STIFF MOUNTING

## PHOTO AND TECHNICAL DRAWING:

Reference: FA34037



## TECHNICAL SPECIFICATIONS:

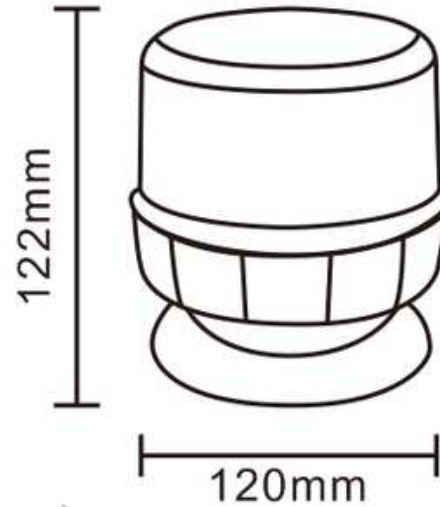


MATERIAL	LED QUANTITY	MOUNTING	CABLE	FUNCTION	WATT	VOLTAGE	CERTIFICATES	PACKING/WEIGHT
<ul style="list-style-type: none"> <li>» Lens: PC</li> <li>» Housing: PC</li> </ul>	<ul style="list-style-type: none"> <li>» 8</li> </ul>	<ul style="list-style-type: none"> <li>» stiff mounting</li> </ul>	<ul style="list-style-type: none"> <li>» -----</li> </ul>	<ul style="list-style-type: none"> <li>» 1 rotating flash</li> </ul>	<ul style="list-style-type: none"> <li>» 13W</li> </ul>	<ul style="list-style-type: none"> <li>» 12V/24V</li> </ul>	<ul style="list-style-type: none"> <li>» ECE R65</li> <li>» ECE R10</li> </ul>	<ul style="list-style-type: none"> <li>» cart. dim.: 150x150x140 mm</li> <li>» lamp weight: 380g</li> <li>» 20 pcs/bulk box</li> </ul>

# ROTATING WARNING LAMP 8LED 13W R65 R10 MAGNET

## PHOTO AND TECHNICAL DRAWING:

Reference: FA34038



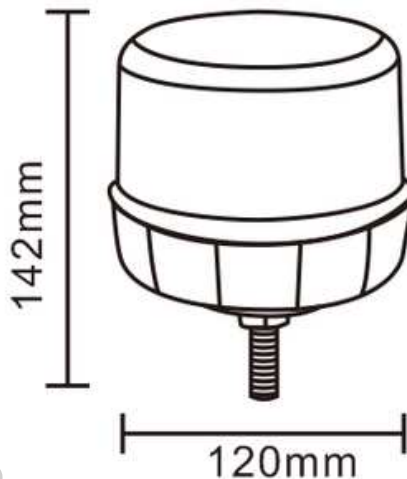
## TECHNICAL SPECIFICATIONS:

MATERIAL	LED QUANTITY	MOUNTING	CABLE	FUNCTION	WATT	VOLTAGE	CERTIFICATES	PACKING/WEIGHT
<ul style="list-style-type: none"> <li>» Lens: PC</li> <li>» Housing: PC</li> </ul>	<ul style="list-style-type: none"> <li>» 8</li> </ul>	<ul style="list-style-type: none"> <li>» magnet</li> </ul>	<ul style="list-style-type: none"> <li>» 3m spiral cable with plug for lighter socket</li> </ul>	<ul style="list-style-type: none"> <li>» 1 rotating flash</li> </ul>	<ul style="list-style-type: none"> <li>» 13W</li> </ul>	<ul style="list-style-type: none"> <li>» 12V/24V</li> </ul>	<ul style="list-style-type: none"> <li>» ECE R65</li> <li>» ECE R10</li> </ul>	<ul style="list-style-type: none"> <li>» cart. dim.: 150x150x140 mm</li> <li>» lamp weight: 540g</li> <li>» 20 pcs/bulk box</li> </ul>

# ROTATING WARNING LAMP 8LED 13W R65 R10 SCREW

## PHOTO AND TECHNICAL DRAWING:

Reference: FA34039



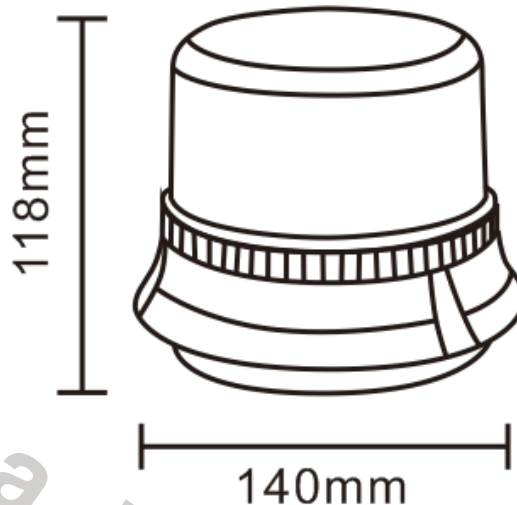
## TECHNICAL SPECIFICATIONS:

MATERIAL	LED QUANTITY	MOUNTING	CABLE	FUNCTION	WATT	VOLTAGE	CERTIFICATES	PACKING/WEIGHT
<ul style="list-style-type: none"> <li>» Lens: PC</li> <li>» Housing: PC</li> </ul>	<ul style="list-style-type: none"> <li>» 8</li> </ul>	<ul style="list-style-type: none"> <li>» 1 screw</li> </ul>	<ul style="list-style-type: none"> <li>» 100mm</li> </ul>	<ul style="list-style-type: none"> <li>» 1 rotating flash</li> </ul>	<ul style="list-style-type: none"> <li>» 13W</li> </ul>	<ul style="list-style-type: none"> <li>» 12V/24V</li> </ul>	<ul style="list-style-type: none"> <li>» ECE R65</li> <li>» ECE R10</li> </ul>	<ul style="list-style-type: none"> <li>» cart. dim.: 150x150x140 mm</li> <li>» lamp weight: 380g</li> <li>» 20 pcs/bulk box</li> </ul>

# ROTATING WARNING LAMP 8LED 13W R65 R10 MAGNET

## PHOTO AND TECHNICAL DRAWING:

Reference: FA34040



## TECHNICAL SPECIFICATIONS:

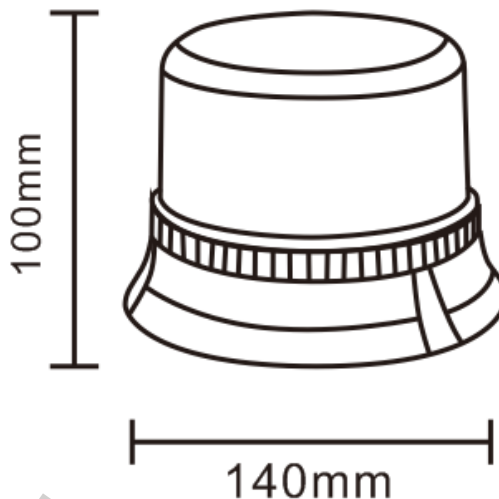
MATERIAL	LED QUANTITY	MOUNTING	CABLE	FUNCTION	WATT	VOLTAGE	CERTIFICATES	PACKING/WEIGHT
<ul style="list-style-type: none"> <li>» Lens: PC</li> <li>» Housing: PC</li> </ul>	<ul style="list-style-type: none"> <li>» 8</li> </ul>	<ul style="list-style-type: none"> <li>» magnet</li> </ul>	<ul style="list-style-type: none"> <li>» 3m spiral cable with plug for lighter socket</li> </ul>	<ul style="list-style-type: none"> <li>» 1 rotating flash</li> </ul>	<ul style="list-style-type: none"> <li>» 13W</li> </ul>	<ul style="list-style-type: none"> <li>» 12V/24V</li> </ul>	<ul style="list-style-type: none"> <li>» ECE R65</li> <li>» ECE R10</li> </ul>	<ul style="list-style-type: none"> <li>» cart. dim.: 150x150x140 mm</li> <li>» lamp weight: 520g</li> <li>» 20 pcs/bulk box</li> </ul>



# ROTATING WARNING LAMP 8LED 13W R65 R10 3X SCREW

## PHOTO AND TECHNICAL DRAWING:

Reference: FA34041



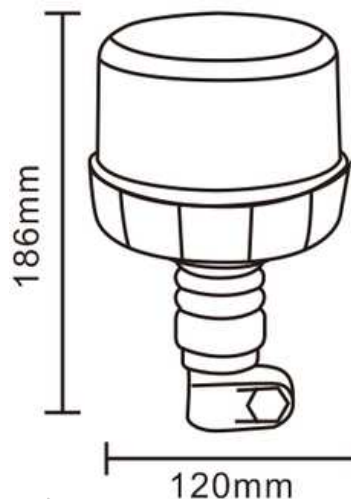
## TECHNICAL SPECIFICATIONS:

MATERIAL	LED QUANTITY	MOUNTING	CABLE	FUNCTION	WATT	VOLTAGE	CERTIFICATES	PACKING/WEIGHT
<ul style="list-style-type: none"> <li>» Lens: PC</li> <li>» Housing: PC</li> </ul>	<ul style="list-style-type: none"> <li>» 8</li> </ul>	<ul style="list-style-type: none"> <li>» 1 screw</li> </ul>	<ul style="list-style-type: none"> <li>» 200mm</li> </ul>	<ul style="list-style-type: none"> <li>» 1 rotating flash</li> </ul>	<ul style="list-style-type: none"> <li>» 13W</li> </ul>	<ul style="list-style-type: none"> <li>» 12V/24V</li> </ul>	<ul style="list-style-type: none"> <li>» ECE R65</li> <li>» ECE R10</li> </ul>	<ul style="list-style-type: none"> <li>» cart. dim.: 150x150x140 mm</li> <li>» lamp weight: 380g</li> <li>» 20 pcs/bulk box</li> </ul>

# ROTATING WARNING LAMP 8LED 13W R65 R10 FLEX

## PHOTO AND TECHNICAL DRAWING:

Reference: FA34042



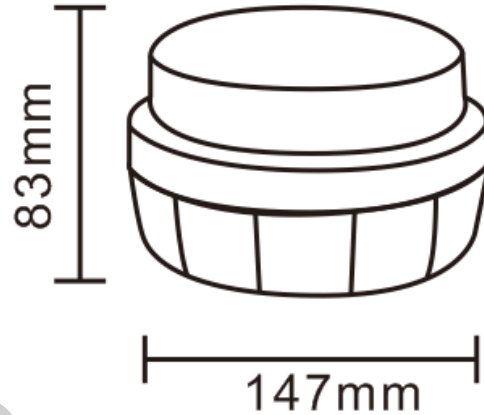
## TECHNICAL SPECIFICATIONS:

MATERIAL	LED QUANTITY	MOUNTING	CABLE	FUNCTION	WATT	VOLTAGE	CERTIFICATES	PACKING/WEIGHT
<ul style="list-style-type: none"> <li>» Lens: PC</li> <li>» Housing: PC</li> </ul>	<ul style="list-style-type: none"> <li>» 8</li> </ul>	<ul style="list-style-type: none"> <li>» flex</li> </ul>	<ul style="list-style-type: none"> <li>» -----</li> </ul>	<ul style="list-style-type: none"> <li>» 1 rotating flash</li> </ul>	<ul style="list-style-type: none"> <li>» 13W</li> </ul>	<ul style="list-style-type: none"> <li>» 12V/24V</li> </ul>	<ul style="list-style-type: none"> <li>» ECE R65</li> <li>» ECE R10</li> </ul>	<ul style="list-style-type: none"> <li>» cart. dim.: 150x150x210 mm</li> <li>» lamp weight: 480g</li> <li>» 20 pcs/bulk box</li> </ul>

# ROTATING WARNING LAMP 8LED 13W R65 R10 MAGNET

## PHOTO AND TECHNICAL DRAWING:

Reference: FA34043



## TECHNICAL SPECIFICATIONS:

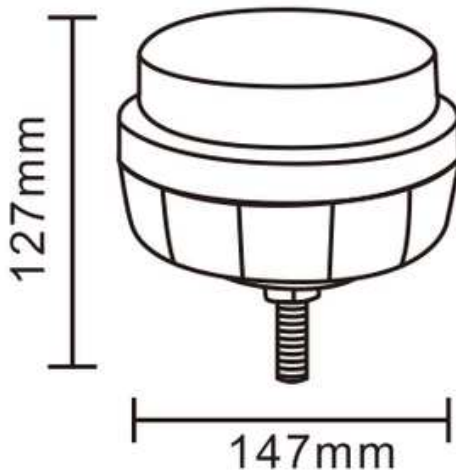


MATERIAL	LED QUANTITY	MOUNTING	CABLE	FUNCTION	WATT	VOLTAGE	CERTIFICATES	PACKING/WEIGHT
<ul style="list-style-type: none"> <li>» Lens: PC</li> <li>» Housing: PC</li> </ul>	<ul style="list-style-type: none"> <li>» 8</li> </ul>	<ul style="list-style-type: none"> <li>» magnet</li> </ul>	<ul style="list-style-type: none"> <li>» 3m spiral cable with plug for lighter socket</li> </ul>	<ul style="list-style-type: none"> <li>» 1 rotating flash</li> </ul>	<ul style="list-style-type: none"> <li>» 13W</li> </ul>	<ul style="list-style-type: none"> <li>» 12V/24V</li> </ul>	<ul style="list-style-type: none"> <li>» ECE R65</li> <li>» ECE R10</li> </ul>	<ul style="list-style-type: none"> <li>» cart. dim.: 160x160x100 mm</li> <li>» lamp weight: 620g</li> <li>» 20 pcs/bulk box</li> </ul>

# ROTATING WARNING LAMP 8LED 13W R65 R10 SCREW

## PHOTO AND TECHNICAL DRAWING:

Reference: FA34044



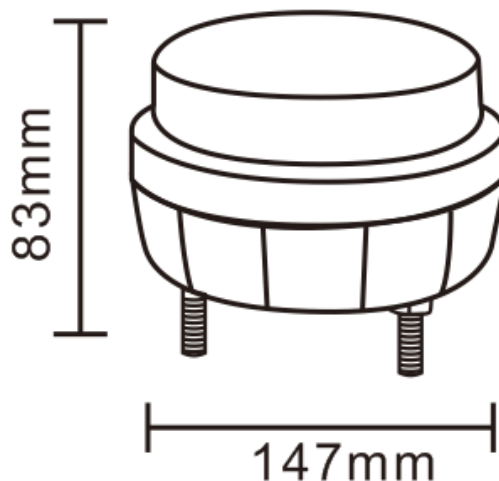
## TECHNICAL SPECIFICATIONS:

MATERIAL	LED QUANTITY	MOUNTING	CABLE	FUNCTION	WATT	VOLTAGE	CERTIFICATES	PACKING/WEIGHT
<ul style="list-style-type: none"> <li>» Lens: PC</li> <li>» Housing: PC</li> </ul>	<ul style="list-style-type: none"> <li>» 8</li> </ul>	<ul style="list-style-type: none"> <li>» 1 screw</li> </ul>	<ul style="list-style-type: none"> <li>» 200mm</li> </ul>	<ul style="list-style-type: none"> <li>» 1 rotating flash</li> </ul>	<ul style="list-style-type: none"> <li>» 13W</li> </ul>	<ul style="list-style-type: none"> <li>» 12V/24V</li> </ul>	<ul style="list-style-type: none"> <li>» ECE R65</li> <li>» ECE R10</li> </ul>	<ul style="list-style-type: none"> <li>» cart. dim.: 150x150x200 mm</li> <li>» lamp weight: 530g</li> <li>» 20 pcs/bulk box</li> </ul>

# ROTATING WARNING LAMP 8LED 13W R65 R10 3X SCREW

## PHOTO AND TECHNICAL DRAWING:

Reference: FA34045



## TECHNICAL SPECIFICATIONS:

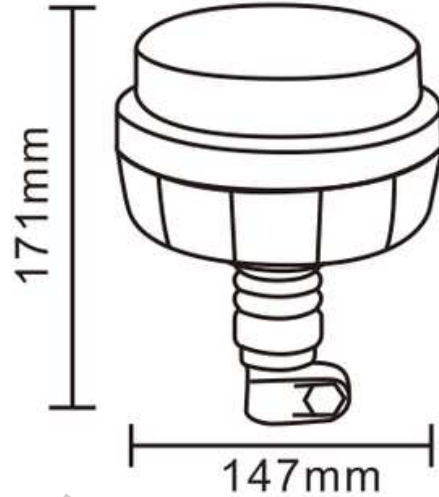


MATERIAL	LED QUANTITY	MOUNTING	CABLE	FUNCTION	WATT	VOLTAGE	CERTIFICATES	PACKING/WEIGHT
<ul style="list-style-type: none"> <li>» Lens: PC</li> <li>» Housing: PC</li> </ul>	» 8	» 3 screws	» 200mm	» 1 rotating flash	» 13W	» 12V/24V	<ul style="list-style-type: none"> <li>» ECE R65</li> <li>» ECE R10</li> </ul>	<ul style="list-style-type: none"> <li>» cart. dim.: 160x160x100 mm</li> <li>» lamp weight: 480g</li> <li>» 20 pcs/bulk box</li> </ul>

# ROTATING WARNING LAMP 8LED 13W R65 R10 FLEX

## PHOTO AND TECHNICAL DRAWING:

Reference: FA34046



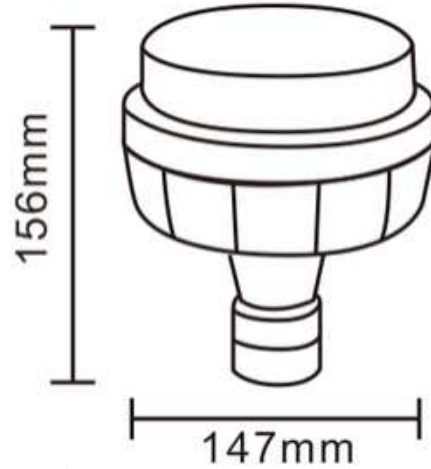
## TECHNICAL SPECIFICATIONS:

MATERIAL	LED QUANTITY	MOUNTING	CABLE	FUNCTION	WATT	VOLTAGE	CERTIFICATES	PACKING/WEIGHT
<ul style="list-style-type: none"> <li>» Lens: PC</li> <li>» Housing: PC</li> </ul>	» 8	» flex	» ----	» 1 rotating flash	» 13W	» 12V/24V	<ul style="list-style-type: none"> <li>» ECE R65</li> <li>» ECE R10</li> </ul>	<ul style="list-style-type: none"> <li>» cart. dim.: 150x150x200 mm</li> <li>» lamp weight: 600g</li> <li>» 20 pcs/bulk box</li> </ul>

# ROTATING WARNING LAMP 8LED 13W R65 R10 STIFF MOUNTING

## PHOTO AND TECHNICAL DRAWING:

Reference: FA34047



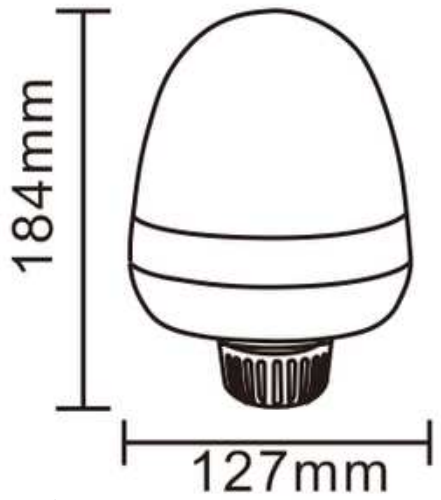
## TECHNICAL SPECIFICATIONS:

MATERIAL	LED QUANTITY	MOUNTING	CABLE	FUNCTION	WATT	VOLTAGE	CERTIFICATES	PACKING/WEIGHT
<ul style="list-style-type: none"> <li>» Lens: PC</li> <li>» Housing: PC</li> </ul>	<ul style="list-style-type: none"> <li>» 8</li> </ul>	<ul style="list-style-type: none"> <li>» stiff mounting</li> </ul>	<ul style="list-style-type: none"> <li>» -----</li> </ul>	<ul style="list-style-type: none"> <li>» 1 rotating flash</li> </ul>	<ul style="list-style-type: none"> <li>» 13W</li> </ul>	<ul style="list-style-type: none"> <li>» 12V/24V</li> </ul>	<ul style="list-style-type: none"> <li>» ECE R65</li> <li>» ECE R10</li> </ul>	<ul style="list-style-type: none"> <li>» cart. dim.: 150x150x200 mm</li> <li>» lamp weight: 560g</li> <li>» 20 pcs/bulk box</li> </ul>

# ROTATING WARNING LAMP 16LED 13W R65 R10 STIFF MOUNTING

**PHOTO AND TECHNICAL DRAWING:**

Reference: FA34048



**TECHNICAL SPECIFICATIONS:**

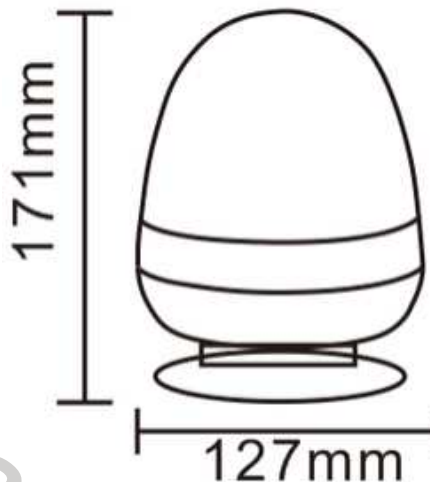
MATERIAL	LED QUANTITY	MOUNTING	CABLE	FUNCTION	WATT	VOLTAGE	CERTIFICATES	PACKING/WEIGHT
» Lens: PC » Housing: PC	» 16	» stiff mounting	» -----	» 1 rotating flash	» 13W	» 12V/24V	» ECE R65 » ECE R10	» cart. dim.: 150x150x260 mm » lamp weight: 570g » 20 pcs/bulk box



# ROTATING WARNING LAMP 16LED 13W R65 R10 MAGNET

## PHOTO AND TECHNICAL DRAWING:

Reference: FA34049



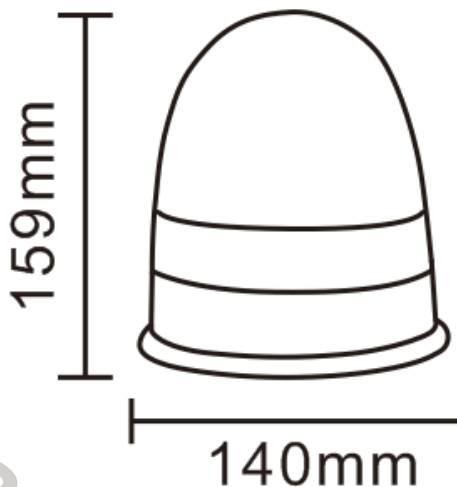
## TECHNICAL SPECIFICATIONS:

MATERIAL	LED QUANTITY	MOUNTING	CABLE	FUNCTION	WATT	VOLTAGE	CERTIFICATES	PACKING/WEIGHT
<ul style="list-style-type: none"> <li>» Lens: PC</li> <li>» Housing: PC</li> </ul>	<ul style="list-style-type: none"> <li>» 16</li> </ul>	<ul style="list-style-type: none"> <li>» magnet</li> </ul>	<ul style="list-style-type: none"> <li>» 3m spiral cable with plug for lighter socket</li> </ul>	<ul style="list-style-type: none"> <li>» 1 rotating flash</li> </ul>	<ul style="list-style-type: none"> <li>» 13W</li> </ul>	<ul style="list-style-type: none"> <li>» 12V/24V</li> </ul>	<ul style="list-style-type: none"> <li>» ECE R65</li> <li>» ECE R10</li> </ul>	<ul style="list-style-type: none"> <li>» cart. dim.: 150x150x190 mm</li> <li>» lamp weight: 710g</li> <li>» 20 pcs/bulk box</li> </ul>

# ROTATING WARNING LAMP 16LED 13W R65 R10 3X SCREW

## PHOTO AND TECHNICAL DRAWING:

Reference: FA34050



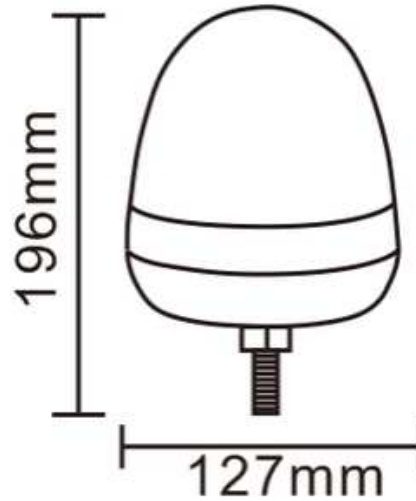
## TECHNICAL SPECIFICATIONS:

MATERIAL	LED QUANTITY	MOUNTING	CABLE	FUNCTION	WATT	VOLTAGE	CERTIFICATES	PACKING/WEIGHT
<ul style="list-style-type: none"> <li>» Lens: PC</li> <li>» Housing: PC</li> </ul>	<ul style="list-style-type: none"> <li>» 16</li> </ul>	<ul style="list-style-type: none"> <li>» 3 screws</li> </ul>	<ul style="list-style-type: none"> <li>» 100mm</li> </ul>	<ul style="list-style-type: none"> <li>» 1 rotating flash</li> </ul>	<ul style="list-style-type: none"> <li>» 13W</li> </ul>	<ul style="list-style-type: none"> <li>» 12V/24V</li> </ul>	<ul style="list-style-type: none"> <li>» ECE R65</li> <li>» ECE R10</li> </ul>	<ul style="list-style-type: none"> <li>» cart. dim.: 150x150x190 mm</li> <li>» lamp weight: 570g</li> <li>» 20 pcs/bulk box</li> </ul>

# ROTATING WARNING LAMP 16LED 13W R65 R10 SCREW

## PHOTO AND TECHNICAL DRAWING:

Reference: FA34051



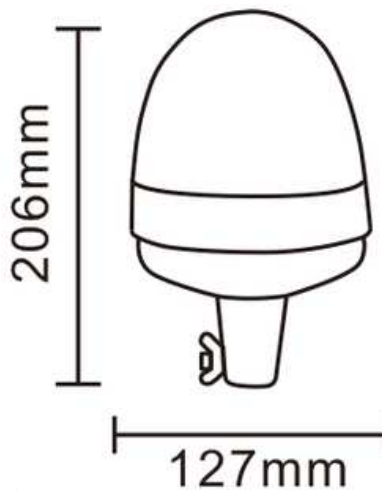
## TECHNICAL SPECIFICATIONS:

MATERIAL	LED QUANTITY	MOUNTING	CABLE	FUNCTION	WATT	VOLTAGE	CERTIFICATES	PACKING/WEIGHT
<ul style="list-style-type: none"> <li>» Lens: PC</li> <li>» Housing: PC</li> </ul>	<ul style="list-style-type: none"> <li>» 16</li> </ul>	<ul style="list-style-type: none"> <li>» 1 screw</li> </ul>	<ul style="list-style-type: none"> <li>» 200mm</li> </ul>	<ul style="list-style-type: none"> <li>» 1 rotating flash</li> </ul>	<ul style="list-style-type: none"> <li>» 13W</li> </ul>	<ul style="list-style-type: none"> <li>» 12V/24V</li> </ul>	<ul style="list-style-type: none"> <li>» ECE R65</li> <li>» ECE R10</li> </ul>	<ul style="list-style-type: none"> <li>» cart. dim.: 140x140x260 mm</li> <li>» lamp weight: 570g</li> <li>» 20 pcs/bulk box</li> </ul>

# ROTATING WARNING LAMP 16LED 13W R65 R10 STIFF MOUNTING

## PHOTO AND TECHNICAL DRAWING:

Reference: FA34052



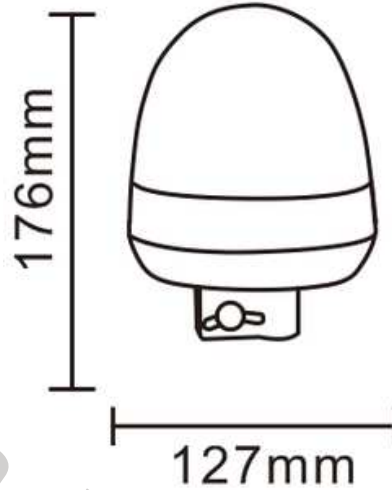
## TECHNICAL SPECIFICATIONS:

MATERIAL	LED QUANTITY	MOUNTING	CABLE	FUNCTION	WATT	VOLTAGE	CERTIFICATES	PACKING/WEIGHT
<ul style="list-style-type: none"> <li>» Lens: PC</li> <li>» Housing: PC</li> </ul>	<ul style="list-style-type: none"> <li>» 16</li> </ul>	<ul style="list-style-type: none"> <li>» 1 stiff mounting</li> </ul>	<ul style="list-style-type: none"> <li>» -----</li> </ul>	<ul style="list-style-type: none"> <li>» 1 rotating flash</li> </ul>	<ul style="list-style-type: none"> <li>» 13W</li> </ul>	<ul style="list-style-type: none"> <li>» 12V/24V</li> </ul>	<ul style="list-style-type: none"> <li>» ECE R65</li> <li>» ECE R10</li> </ul>	<ul style="list-style-type: none"> <li>» cart. dim.: 140x140x260 mm</li> <li>» lamp weight: 590g</li> <li>» 20 pcs/bulk box</li> </ul>

# ROTATING WARNING LAMP 16LED 13W R65 R10 STIFF MOUNTING

## PHOTO AND TECHNICAL DRAWING:

Reference: FA34053



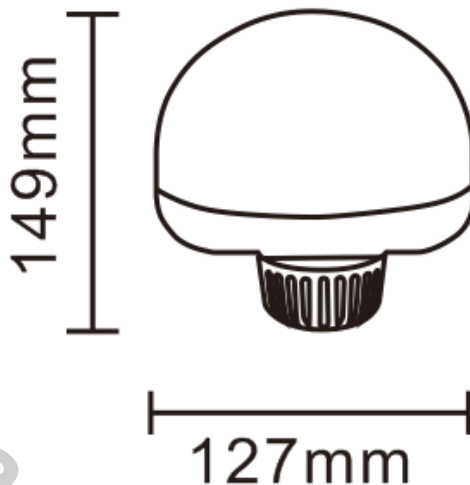
## TECHNICAL SPECIFICATIONS:

MATERIAL	LED QUANTITY	MOUNTING	CABLE	FUNCTION	WATT	VOLTAGE	CERTIFICATES	PACKING/WEIGHT
<ul style="list-style-type: none"> <li>» Lens: PC</li> <li>» Housing: PC</li> </ul>	<ul style="list-style-type: none"> <li>» 16</li> </ul>	<ul style="list-style-type: none"> <li>» 1 stiff mounting</li> </ul>	<ul style="list-style-type: none"> <li>» -----</li> </ul>	<ul style="list-style-type: none"> <li>» 1 rotating flash</li> </ul>	<ul style="list-style-type: none"> <li>» 13W</li> </ul>	<ul style="list-style-type: none"> <li>» 12V/24V</li> </ul>	<ul style="list-style-type: none"> <li>» ECE R65</li> <li>» ECE R10</li> </ul>	<ul style="list-style-type: none"> <li>» cart. dim.: 140x140x260 mm</li> <li>» lamp weight: 590g</li> <li>» 20 pcs/bulk box</li> </ul>

# ROTATING WARNING LAMP 8LED 13W R65 R10 STIFF MOUNTING

## PHOTO AND TECHNICAL DRAWING:

Reference: FA34054



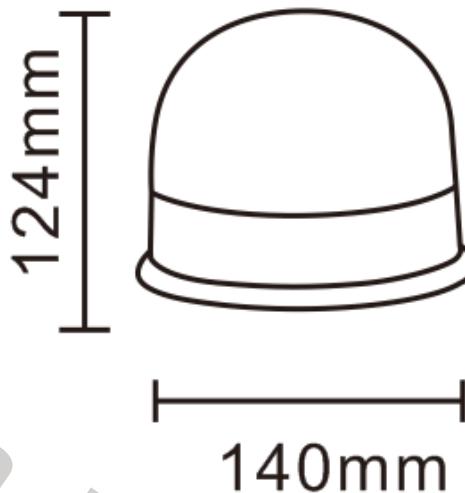
## TECHNICAL SPECIFICATIONS:

MATERIAL	LED QUANTITY	MOUNTING	CABLE	FUNCTION	WATT	VOLTAGE	CERTIFICATES	PACKING/WEIGHT
<ul style="list-style-type: none"> <li>» Lens: PC</li> <li>» Housing: PC</li> </ul>	<ul style="list-style-type: none"> <li>» 8</li> </ul>	<ul style="list-style-type: none"> <li>» stiff mounting</li> </ul>	<ul style="list-style-type: none"> <li>» -----</li> </ul>	<ul style="list-style-type: none"> <li>» 1 rotating flash</li> </ul>	<ul style="list-style-type: none"> <li>» 13W</li> </ul>	<ul style="list-style-type: none"> <li>» 12V/24V</li> </ul>	<ul style="list-style-type: none"> <li>» ECE R65</li> <li>» ECE R10</li> </ul>	<ul style="list-style-type: none"> <li>» cart. dim.: 130x130x220 mm</li> <li>» lamp weight: 430g</li> <li>» 20 pcs/bulk box</li> </ul>

# ROTATING WARNING LAMP 8LED 13W R65 R10 3X SCREW

## PHOTO AND TECHNICAL DRAWING:

Reference: FA34055



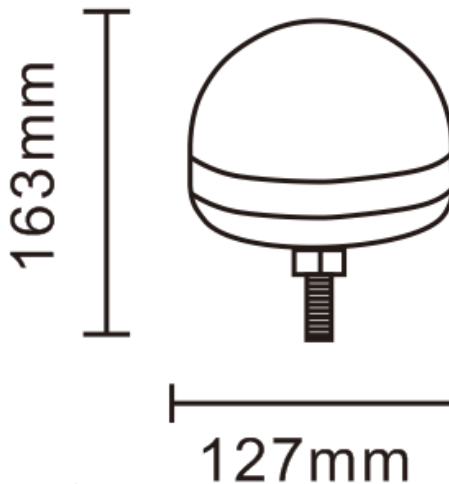
## TECHNICAL SPECIFICATIONS:

MATERIAL	LED QUANTITY	MOUNTING	CABLE	FUNCTION	WATT	VOLTAGE	CERTIFICATES	PACKING/WEIGHT
<ul style="list-style-type: none"> <li>» Lens: PC</li> <li>» Housing: PC</li> </ul>	<ul style="list-style-type: none"> <li>» 8</li> </ul>	<ul style="list-style-type: none"> <li>» 3 screws</li> </ul>	<ul style="list-style-type: none"> <li>» -----</li> </ul>	<ul style="list-style-type: none"> <li>» 1 rotating flash</li> </ul>	<ul style="list-style-type: none"> <li>» 13W</li> </ul>	<ul style="list-style-type: none"> <li>» 12V/24V</li> </ul>	<ul style="list-style-type: none"> <li>» ECE R65</li> <li>» ECE R10</li> </ul>	<ul style="list-style-type: none"> <li>» cart. dim.: 150x150x220 mm</li> <li>» lamp weight: 460g</li> <li>» 20 pcs/bulk box</li> </ul>

# ROTATING WARNING LAMP 8LED 13W R65 R10 SCREW

## PHOTO AND TECHNICAL DRAWING:

Reference: FA34056



## TECHNICAL SPECIFICATIONS:

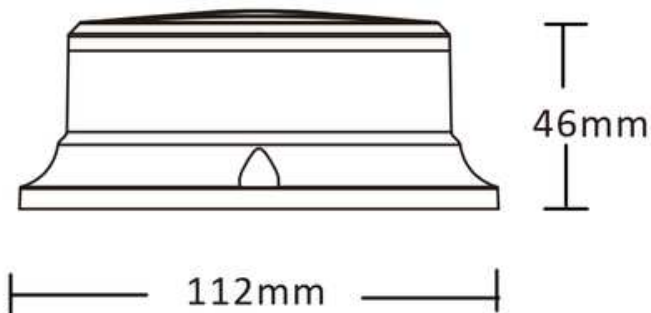
MATERIAL	LED QUANTITY	MOUNTING	CABLE	FUNCTION	WATT	VOLTAGE	CERTIFICATES	PACKING/WEIGHT
<ul style="list-style-type: none"> <li>» Lens: PC</li> <li>» Housing: PC</li> </ul>	<ul style="list-style-type: none"> <li>» 8</li> </ul>	<ul style="list-style-type: none"> <li>» screw</li> </ul>	<ul style="list-style-type: none"> <li>» -----</li> </ul>	<ul style="list-style-type: none"> <li>» 1 rotating flash</li> </ul>	<ul style="list-style-type: none"> <li>» 13W</li> </ul>	<ul style="list-style-type: none"> <li>» 12V/24V</li> </ul>	<ul style="list-style-type: none"> <li>» ECE R65</li> <li>» ECE R10</li> </ul>	<ul style="list-style-type: none"> <li>» cart. dim.: 130x130x220 mm</li> <li>» lamp weight: 450g</li> <li>» 20 pcs/bulk box</li> </ul>



# LED WARNING LAMP PICO LED ORANGE MAGNETIC BASE R10 R65 MINI

## PHOTO AND TECHNICAL DRAWING:

Reference: FA34057



## TECHNICAL SPECIFICATIONS:

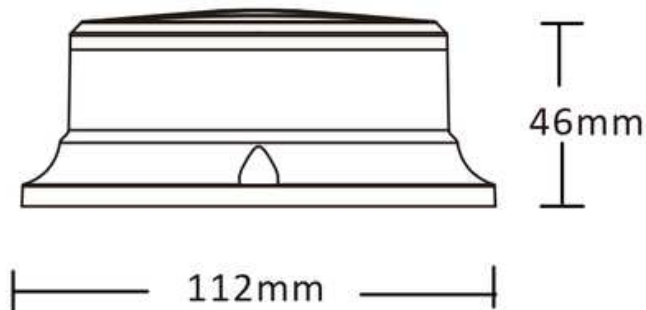


MATERIAL	LED QUANTITY	MOUNTING	CABLE	FUNCTION	WATT	VOLTAGE	CERTIFICATES	PACKING/WEIGHT
<ul style="list-style-type: none"> <li>» Lens: PC</li> <li>» Housing: PC</li> </ul>	<ul style="list-style-type: none"> <li>» 18</li> </ul>	<ul style="list-style-type: none"> <li>» magnet</li> </ul>	<ul style="list-style-type: none"> <li>» 3m spiral cable with plug for lighter socket</li> </ul>	<ul style="list-style-type: none"> <li>» 3 warning flashes</li> </ul>	<ul style="list-style-type: none"> <li>» 27W</li> </ul>	<ul style="list-style-type: none"> <li>» 12V/24V</li> </ul>	<ul style="list-style-type: none"> <li>» ECE R65</li> <li>» ECE R10</li> </ul>	<ul style="list-style-type: none"> <li>» cart. dim.: 150x130x60 mm</li> <li>» lamp weight: 390g</li> <li>» 30 pcs/bulk box</li> </ul>

# LED WARNING LAMP TRUCKLED PICO LED WHITE MAGNETIC BASE R10 R65 MINI

## PHOTO AND TECHNICAL DRAWING:

Reference: FA34058



## TECHNICAL SPECIFICATIONS:

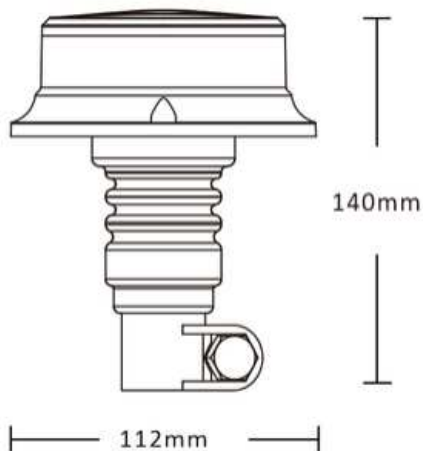


MATERIAL	LED QUANTITY	MOUNTING	CABLE	FUNCTION	WATT	VOLTAGE	CERTIFICATES	PACKING/WEIGHT
<ul style="list-style-type: none"> <li>» Lens: PC</li> <li>» Housing: PC</li> </ul>	<ul style="list-style-type: none"> <li>» 18</li> </ul>	<ul style="list-style-type: none"> <li>» magnet</li> </ul>	<ul style="list-style-type: none"> <li>» 3m spiral cable with plug for lighter socket</li> </ul>	<ul style="list-style-type: none"> <li>» 3 warning flashes</li> </ul>	<ul style="list-style-type: none"> <li>» 17W</li> </ul>	<ul style="list-style-type: none"> <li>» 12V/24V</li> </ul>	<ul style="list-style-type: none"> <li>» ECE R65</li> <li>» ECE R10</li> </ul>	<ul style="list-style-type: none"> <li>» cart. dim.: 150x130x60 mm</li> <li>» lamp weight: 390g</li> <li>» 30 pcs/bulk box</li> </ul>

# LED WARNING LAMP PICO LED ORANGE FLEX R10 R65 MINI

## PHOTO AND TECHNICAL DRAWING:

Reference: FA34059



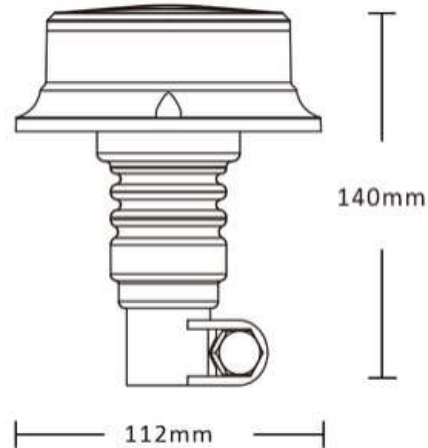
## TECHNICAL SPECIFICATIONS:

MATERIAL	LED QUANTITY	MOUNTING	CABLE	FUNCTION	WATT	VOLTAGE	CERTIFICATES	PACKING/WEIGHT
<ul style="list-style-type: none"> <li>» Lens: PC</li> <li>» Housing: PC</li> </ul>	<ul style="list-style-type: none"> <li>» 18</li> </ul>	<ul style="list-style-type: none"> <li>» flex</li> </ul>	<ul style="list-style-type: none"> <li>» -----</li> </ul>	<ul style="list-style-type: none"> <li>» 3 warning flashes</li> </ul>	<ul style="list-style-type: none"> <li>» 27W</li> </ul>	<ul style="list-style-type: none"> <li>» 12V/24V</li> </ul>	<ul style="list-style-type: none"> <li>» ECE R65</li> <li>» ECE R10</li> </ul>	<ul style="list-style-type: none"> <li>» cart. dim.: 130x130x160 mm</li> <li>» lamp weight: 390g</li> <li>» 20 pcs/bulk box</li> </ul>

# LED WARNING LAMP PICO LED WHITE FLEX R10 R65 MINI

## PHOTO AND TECHNICAL DRAWING:

Reference: FA34060



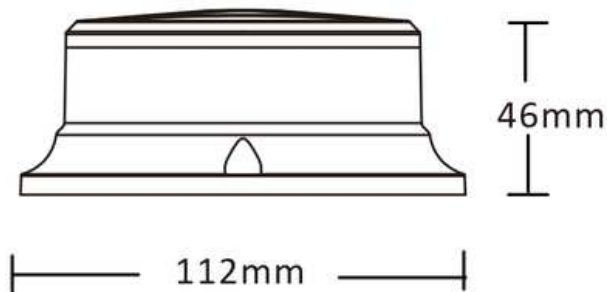
## TECHNICAL SPECIFICATIONS:

MATERIAL	LED QUANTITY	MOUNTING	CABLE	FUNCTION	WATT	VOLTAGE	CERTIFICATES	PACKING/WEIGHT
<ul style="list-style-type: none"> <li>» Lens: PC</li> <li>» Housing: PC</li> </ul>	<ul style="list-style-type: none"> <li>» 18</li> </ul>	<ul style="list-style-type: none"> <li>» flex</li> </ul>	<ul style="list-style-type: none"> <li>» -----</li> </ul>	<ul style="list-style-type: none"> <li>» 3 warning flashes</li> </ul>	<ul style="list-style-type: none"> <li>» 17W</li> </ul>	<ul style="list-style-type: none"> <li>» 12V/24V</li> </ul>	<ul style="list-style-type: none"> <li>» ECE R65</li> <li>» ECE R10</li> </ul>	<ul style="list-style-type: none"> <li>» cart. dim.: 130x130x160 mm</li> <li>» lamp weight: 390g</li> <li>» 20 pcs/bulk box</li> </ul>

# LED WARNING LAMP PICO LED BLUE MAG R10 R65

## PHOTO AND TECHNICAL DRAWING:

Reference: FA34061



## TECHNICAL SPECIFICATIONS:

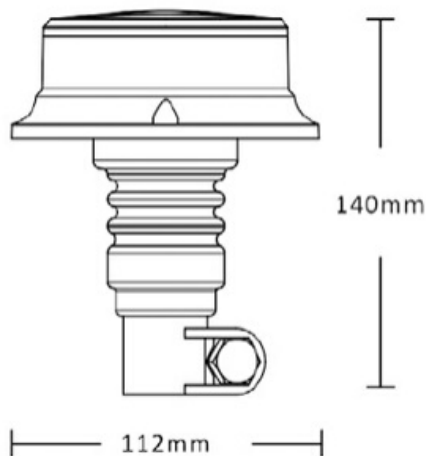


MATERIAL	LED QUANTITY	MOUNTING	CABLE	FUNCTION	WATT	VOLTAGE	CERTIFICATES	PACKING/ WEIGHT
<ul style="list-style-type: none"> <li>» Lens: PC</li> <li>» Housing: PC</li> </ul>	<ul style="list-style-type: none"> <li>» 18</li> </ul>	<ul style="list-style-type: none"> <li>» magnet</li> </ul>	<ul style="list-style-type: none"> <li>» 3m spiral cable with plug for lighter socket</li> </ul>	<ul style="list-style-type: none"> <li>» 3 warning flashes</li> </ul>	<ul style="list-style-type: none"> <li>» 27W</li> </ul>	<ul style="list-style-type: none"> <li>» 12V/24V</li> </ul>	<ul style="list-style-type: none"> <li>» ECE R65</li> <li>» ECE R10</li> </ul>	<ul style="list-style-type: none"> <li>» cart. dim.: 150x130x60 mm</li> <li>» lamp weight: 390g</li> <li>» 30 pcs/bulk box</li> </ul>

# LED WARNING LAMP PICO LED BLUE FLEX R10 R65

## PHOTO AND TECHNICAL DRAWING:

Reference: FA34062



## TECHNICAL SPECIFICATIONS:

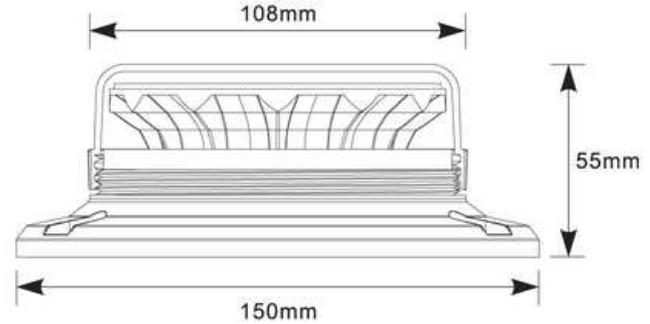


MATERIAL	LED QUANTITY	MOUNTING	CABLE	FUNCTION	WATT	VOLTAGE	CERTIFICATES	PACKING/WEIGHT
<ul style="list-style-type: none"> <li>» Lens: PC</li> <li>» Housing: PC</li> </ul>	<ul style="list-style-type: none"> <li>» 18</li> </ul>	<ul style="list-style-type: none"> <li>» flex</li> </ul>	<ul style="list-style-type: none"> <li>» -----</li> </ul>	<ul style="list-style-type: none"> <li>» 3 warning flashes</li> </ul>	<ul style="list-style-type: none"> <li>» 27W</li> </ul>	<ul style="list-style-type: none"> <li>» 12V/24V</li> </ul>	<ul style="list-style-type: none"> <li>» ECE R65</li> <li>» ECE R10</li> </ul>	<ul style="list-style-type: none"> <li>» cart. dim.: 130x130x160 mm</li> <li>» lamp weight: 390g</li> <li>» 20 pcs/bulk box</li> </ul>

# WARNING LAMP 12XLED 10W R65 R10 MAGNET

## PHOTO AND TECHNICAL DRAWING:

Reference: FA34063



## TECHNICAL SPECIFICATIONS:

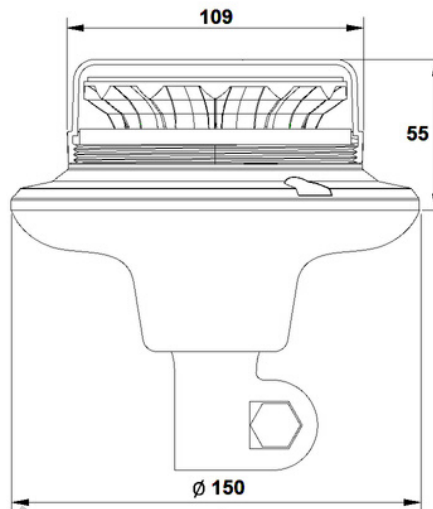


MATERIAL	LED QUANTITY	MOUNTING	CABLE	FUNCTION	WATT	VOLTAGE	CERTIFICATES	PACKING/WEIGHT
<ul style="list-style-type: none"> <li>» Lens: PC</li> <li>» Housing: ABS</li> </ul>	<ul style="list-style-type: none"> <li>» 12</li> </ul>	<ul style="list-style-type: none"> <li>» magnet</li> </ul>	<ul style="list-style-type: none"> <li>» 3m spiral cable with plug for lighter socket</li> </ul>	<ul style="list-style-type: none"> <li>» 1 warning flash</li> </ul>	<ul style="list-style-type: none"> <li>» 10W</li> </ul>	<ul style="list-style-type: none"> <li>» 12V/24V</li> </ul>	<ul style="list-style-type: none"> <li>» ECE R65</li> <li>» ECE R10</li> </ul>	<ul style="list-style-type: none"> <li>» cart. dim.: 160x160x70 mm</li> <li>» lamp weight: 560g</li> <li>» 20 pcs/bulk box</li> </ul>

# WARNING LAMP 12XLED 10W R65 R10 FLEX

## PHOTO AND TECHNICAL DRAWING:

Reference: 34064



## TECHNICAL SPECIFICATIONS:

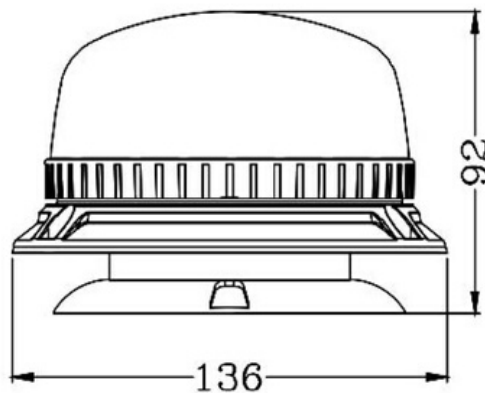
MATERIAL	LED QUANTITY	MOUNTING	CABLE	FUNCTION	WATT	VOLTAGE	CERTIFICATES	PACKING/WEIGHT
<ul style="list-style-type: none"> <li>» Lens: PC</li> <li>» Housing: ABS</li> </ul>	<ul style="list-style-type: none"> <li>» 12</li> </ul>	<ul style="list-style-type: none"> <li>» magnet</li> </ul>	<ul style="list-style-type: none"> <li>» -----</li> </ul>	<ul style="list-style-type: none"> <li>» 1 rotating flash</li> </ul>	<ul style="list-style-type: none"> <li>» 10W</li> </ul>	<ul style="list-style-type: none"> <li>» 12V/24V</li> </ul>	<ul style="list-style-type: none"> <li>» ECE R65</li> <li>» ECE R10</li> </ul>	<ul style="list-style-type: none"> <li>» cart. dim.: 160x160x180 mm</li> <li>» lamp weight: 620g</li> <li>» 20 pcs/bulk box</li> </ul>



# LED WARNING BEACON TRUCKLED OPTI 36X LED MAGNETIC BASE

## PHOTO AND TECHNICAL DRAWING:

Reference: FA34065



## TECHNICAL SPECIFICATIONS:

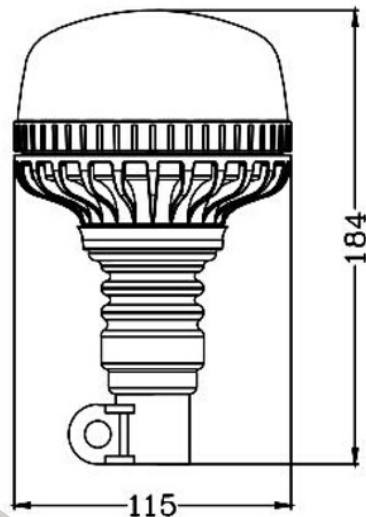


MATERIAL	LED QUANTITY	MOUNTING	CABLE	FUNCTION	WATT	VOLTAGE	CERTIFICATES	PACKING/WEIGHT
<ul style="list-style-type: none"> <li>» Lens: PC</li> <li>» Housing: PP</li> </ul>	<ul style="list-style-type: none"> <li>» 36</li> </ul>	<ul style="list-style-type: none"> <li>» magnet</li> </ul>	<ul style="list-style-type: none"> <li>» 3m spiral cable with plug for lighter socket</li> </ul>	<ul style="list-style-type: none"> <li>» 1 warning flash</li> </ul>	<ul style="list-style-type: none"> <li>» 12-19W</li> </ul>	<ul style="list-style-type: none"> <li>» 12V/24V</li> </ul>	<ul style="list-style-type: none"> <li>» ECE R65</li> <li>» ECE R10</li> </ul>	<ul style="list-style-type: none"> <li>» cart. dim.: 150x150x90 mm</li> <li>» lamp weight: 570g</li> <li>» 30 pcs/bulk box</li> </ul>

# LED WARNING BEACON TRUCKLED OPTI 36X LED FLEX

## PHOTO AND TECHNICAL DRAWING:

Reference: FA34066



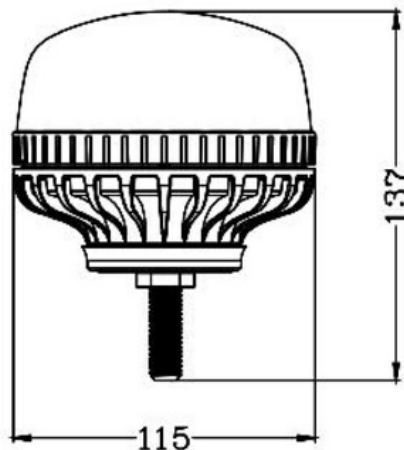
## TECHNICAL SPECIFICATIONS:

MATERIAL	LED QUANTITY	MOUNTING	CABLE	FUNCTION	WATT	VOLTAGE	CERTIFICATES	PACKING/WEIGHT
<ul style="list-style-type: none"> <li>» Lens: PC</li> <li>» Housing: PP</li> </ul>	<ul style="list-style-type: none"> <li>» 36</li> </ul>	<ul style="list-style-type: none"> <li>» flex</li> </ul>	<ul style="list-style-type: none"> <li>» -----</li> </ul>	<ul style="list-style-type: none"> <li>» 1 warning flash</li> </ul>	<ul style="list-style-type: none"> <li>» 12-19W</li> </ul>	<ul style="list-style-type: none"> <li>» 12V/24V</li> </ul>	<ul style="list-style-type: none"> <li>» ECE R65</li> <li>» ECE R10</li> </ul>	<ul style="list-style-type: none"> <li>» cart. dim.: 140x140x210 mm</li> <li>» lamp weight: 420g</li> <li>» 20 pcs/bulk box</li> </ul>

# LED WARNING BEACON TRUCKLED OPTI 36X LED BOLT

## PHOTO AND TECHNICAL DRAWING:

Reference: FA34067



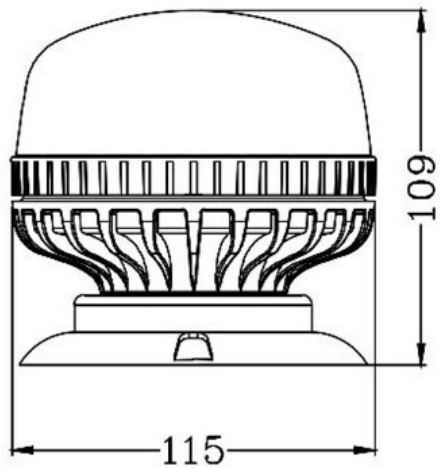
## TECHNICAL SPECIFICATIONS:

MATERIAL	LED QUANTITY	MOUNTING	CABLE	FUNCTION	WATT	VOLTAGE	CERTIFICATES	PACKING/WEIGHT
<ul style="list-style-type: none"> <li>» Lens: PC</li> <li>» Housing: PP</li> </ul>	<ul style="list-style-type: none"> <li>» 36</li> </ul>	<ul style="list-style-type: none"> <li>» screw</li> </ul>	<ul style="list-style-type: none"> <li>» 200mm</li> </ul>	<ul style="list-style-type: none"> <li>» 1 warning flash</li> </ul>	<ul style="list-style-type: none"> <li>» 12-19W</li> </ul>	<ul style="list-style-type: none"> <li>» 12V/24V</li> </ul>	<ul style="list-style-type: none"> <li>» ECE R65</li> <li>» ECE R10</li> </ul>	<ul style="list-style-type: none"> <li>» cart. dim.: 140x140x150 mm</li> <li>» lamp weight: 320g</li> <li>» 20 pcs/bulk box</li> </ul>

# LED WARNING BEACON TRUCKLED OPTI 36X LED MAGNETIC BASE

**PHOTO AND TECHNICAL DRAWING:**

Reference: FA34068



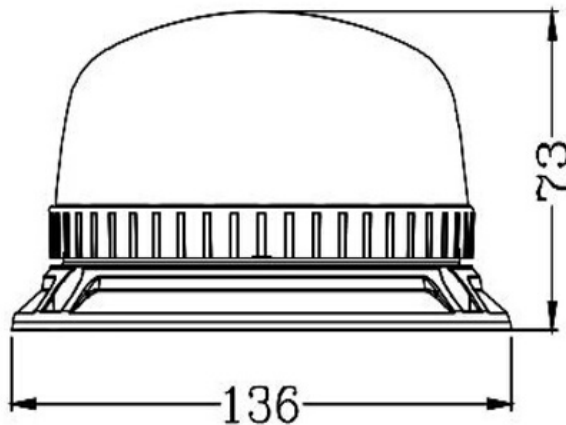
**TECHNICAL SPECIFICATIONS:**

MATERIAL	LED QUANTITY	MOUNTING	CABLE	FUNCTION	WATT	VOLTAGE	CERTIFICATES	PACKING/WEIGHT
<ul style="list-style-type: none"> <li>» Lens: PC</li> <li>» Housing: PP</li> </ul>	<ul style="list-style-type: none"> <li>» 36</li> </ul>	<ul style="list-style-type: none"> <li>» magnet</li> </ul>	<ul style="list-style-type: none"> <li>» 3m spiral cable with plug for lighter socket</li> </ul>	<ul style="list-style-type: none"> <li>» 1 warning flash</li> </ul>	<ul style="list-style-type: none"> <li>» 12-19W</li> </ul>	<ul style="list-style-type: none"> <li>» 12V/24V</li> </ul>	<ul style="list-style-type: none"> <li>» ECE R65</li> <li>» ECE R10</li> </ul>	<ul style="list-style-type: none"> <li>» cart. dim: 150x150x120 mm</li> <li>» lamp weight: 270g</li> <li>» 30 pcs/bulk box</li> </ul>

# LED WARNING BEACON TRUCKLED OPTI 36X LED 3X SCREW

## PHOTO AND TECHNICAL DRAWING:

Reference: FA34069



## TECHNICAL SPECIFICATIONS:

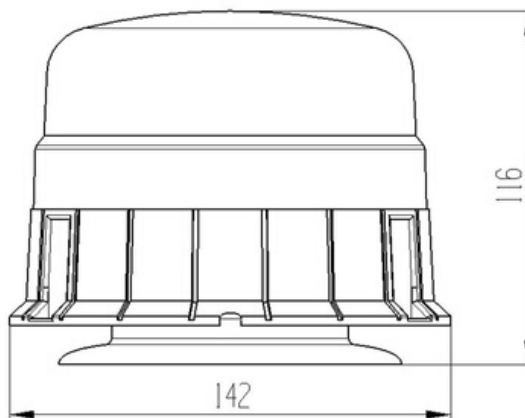


MATERIAL	LED QUANTITY	MOUNTING	CABLE	FUNCTION	WATT	VOLTAGE	CERTIFICATES	PACKING/WEIGHT
» Lens: PC » Housing: PP	» 36	» 3 screws	» 200mm	» 1 warning flash	» 12-19W	» 12V/24V	» ECE R65 » ECE R10	» wym. kart: 150x150x90 mm » lamp weight: 560g » 30 pcs/bulk box

# LED WARNING BEACON TRUCKLED 39X LED MAGNET

## PHOTO AND TECHNICAL DRAWING:

Reference: FA34070



## TECHNICAL SPECIFICATIONS:

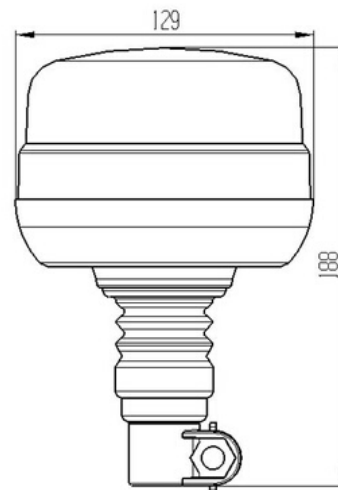


MATERIAL	LED QUANTITY	MOUNTING	CABLE	FUNCTION	WATT	VOLTAGE	CERTIFICATES	PACKING
<ul style="list-style-type: none"> <li>» Lens: PC</li> <li>» Housing: PP</li> </ul>	<ul style="list-style-type: none"> <li>» 39</li> </ul>	<ul style="list-style-type: none"> <li>» magnet</li> </ul>	<ul style="list-style-type: none"> <li>» 3m spiral cable with plug for lighter socket</li> </ul>	<ul style="list-style-type: none"> <li>» 1 warning flash</li> </ul>	<ul style="list-style-type: none"> <li>» 19W</li> </ul>	<ul style="list-style-type: none"> <li>» 12V/24V</li> </ul>	<ul style="list-style-type: none"> <li>» ECE R65</li> <li>» ECE R10</li> </ul>	<ul style="list-style-type: none"> <li>» cart. dim.: 150x150x150 mm</li> <li>» lamp weight: 600g</li> <li>» 20 pcs/bulk box</li> </ul>

# LED WARNING BEACON TRUCKLED 39X LED FLEX

## PHOTO AND TECHNICAL DRAWING:

Reference: FA34071



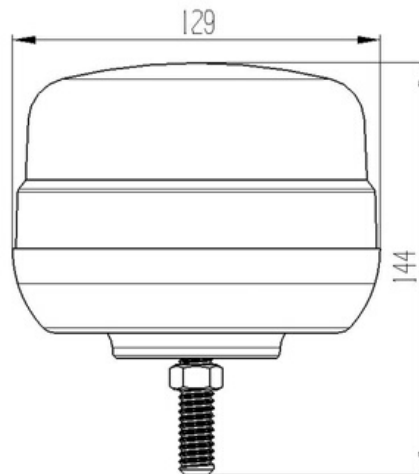
## TECHNICAL SPECIFICATIONS:

MATERIAL	LED QUANTITY	MOUNTING	CABLE	FUNCTION	WATT	VOLTAGE	CERTYFICATES	PACKING
<ul style="list-style-type: none"> <li>» Lens: PC</li> <li>» Housing: PP</li> </ul>	<ul style="list-style-type: none"> <li>» 39</li> </ul>	<ul style="list-style-type: none"> <li>» flex</li> </ul>	<ul style="list-style-type: none"> <li>» -----</li> </ul>	<ul style="list-style-type: none"> <li>» 1 warning flash</li> </ul>	<ul style="list-style-type: none"> <li>» 19W</li> </ul>	<ul style="list-style-type: none"> <li>» 12V/24V</li> </ul>	<ul style="list-style-type: none"> <li>» ECE R65</li> <li>» ECE R10</li> </ul>	<ul style="list-style-type: none"> <li>» cart. dim.: 150x150x200 mm</li> <li>» lamp weight: 450g</li> <li>» 20 pcs/bulk box</li> </ul>

# LED WARNING BEACON TRUCKLED 39X LED BOLT

## PHOTO AND TECHNICAL DRAWING:

Reference: FA34072



## TECHNICAL SPECIFICATIONS:



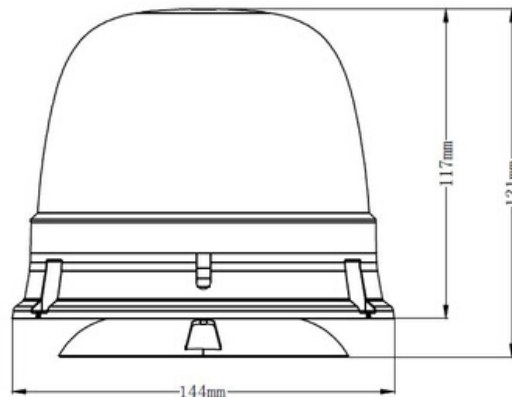
MATERIAL	ILOŚĆ LED	MOCOWANIE	CABLE	FUNCTION	WATT	VOLTAGE	CERTYFICATES	PACKING
<ul style="list-style-type: none"> <li>» Lens: PC</li> <li>» Housing: PP</li> </ul>	<ul style="list-style-type: none"> <li>» 39</li> </ul>	<ul style="list-style-type: none"> <li>» bolt</li> </ul>	<ul style="list-style-type: none"> <li>» 200mm</li> </ul>	<ul style="list-style-type: none"> <li>» 1 warning flash</li> </ul>	<ul style="list-style-type: none"> <li>» 19W</li> </ul>	<ul style="list-style-type: none"> <li>» 12V/24V</li> </ul>	<ul style="list-style-type: none"> <li>» ECE R65</li> <li>» ECE R10</li> </ul>	<ul style="list-style-type: none"> <li>» cart. dim.: 150x150x200 mm</li> <li>» lamp weight: 350g</li> <li>» 20 pcs/bulk box</li> </ul>



# LED WARNING BEACON 28W 10X LED MANET 7 PATTERNS

Reference: FA34073

## PHOTO AND TECHNICAL DRAWING:



## TECHNICAL SPECIFICATIONS:

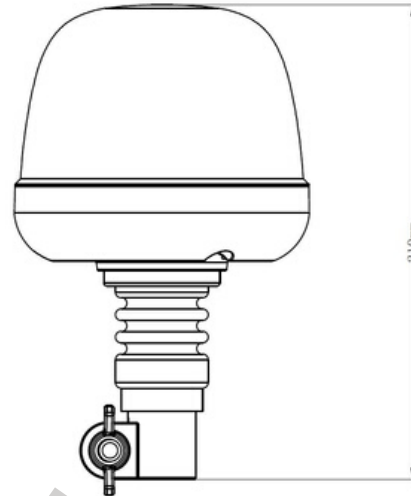


MATERIAL	LED QUANTITY	MOUNTING	CABLE	FUNCTION	WATT	VOLTAGE	CERTIFICATES	PACKING/WEIGHT
<ul style="list-style-type: none"> <li>» Lens: PC</li> <li>» Housing: ABS</li> </ul>	<ul style="list-style-type: none"> <li>» 10</li> </ul>	<ul style="list-style-type: none"> <li>» magnet</li> </ul>	<ul style="list-style-type: none"> <li>» 3m spiral cable with plug for lighter socket</li> </ul>	<ul style="list-style-type: none"> <li>» 7 warning flashes</li> </ul>	<ul style="list-style-type: none"> <li>» 28W</li> </ul>	<ul style="list-style-type: none"> <li>» 12V/24V</li> </ul>	<ul style="list-style-type: none"> <li>» ECE R65</li> <li>» ECE R10</li> </ul>	<ul style="list-style-type: none"> <li>» cart. dim.: 150x150x156 mm</li> <li>» lamp weight: 670g</li> <li>» 20 pcs/bulk box</li> </ul>

# LED WARNING BEACON 28W 10X LED FLEX 7 PATTERNS

Reference: FA34074

## PHOTO AND TECHNICAL DRAWING:



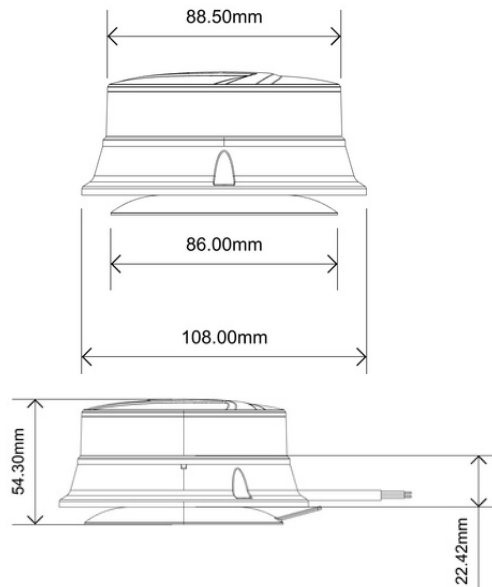
## TECHNICAL SPECIFICATIONS:

MATERIAL	LED QUANTITY	MOUNTING	CABLE	FUNCTION	WATT	VOLTAGE	CERTIFICATES	PACKING/ WEIGHT
<ul style="list-style-type: none"> <li>» Lens: PC</li> <li>» Housing: ABS</li> </ul>	<ul style="list-style-type: none"> <li>» 10</li> </ul>	<ul style="list-style-type: none"> <li>» flex</li> </ul>	<ul style="list-style-type: none"> <li>» -----</li> </ul>	<ul style="list-style-type: none"> <li>» 7 warning flashes</li> </ul>	<ul style="list-style-type: none"> <li>» 28W</li> </ul>	<ul style="list-style-type: none"> <li>» 12V/24V</li> </ul>	<ul style="list-style-type: none"> <li>» ECE R65</li> <li>» ECE R10</li> </ul>	<ul style="list-style-type: none"> <li>» cart. dim.: 135x135x230 mm</li> <li>» lamp weight: 600g</li> <li>» 20 pcs/bulk box</li> </ul>

# LED WARNING BEACON 19W 30X LED MAGNET

Reference: FA34075

## PHOTO AND TECHNICAL DRAWING:



## TECHNICAL SPECIFICATIONS:

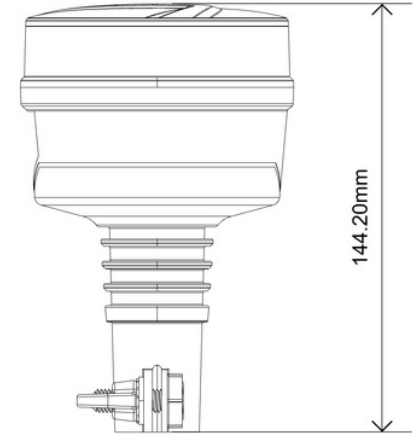


MATERIAL	LED QUANTITY	MOUNTING	CABLE	FUNCTION	WATT	VOLTAGE	CERTIFICATES	PACKING/WEIGHT
» Lens: PC » Housing: ABS	» 30	» magnet	» 2,5m straight cable with plug for lighter socket	» 2 warning flashes	» 19W	» 12V/24V	» ECE R65 » ECE R10	» cart. dim.: 113x113x136 mm » lamp weight: 500g » 20 pcs/bulk box

# LED WARNING BEACON 19W 30X LED FLEX

Reference: FA34076

PHOTO AND TECHNICAL DRAWING:



TECHNICAL SPECIFICATIONS:

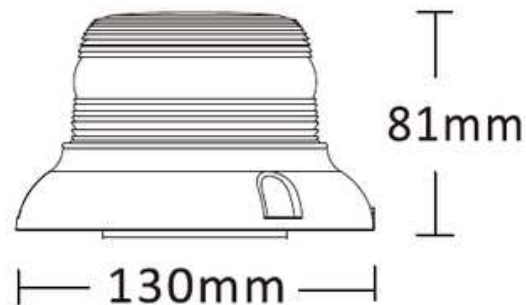


MATERIAL	LED QUANTITY	MOUNTING	CABLE	FUNCTION	WATT	VOLTAGE	CERTIFICATES	PACKING/WEIGHT
<ul style="list-style-type: none"> <li>» Lens: PC</li> <li>» Housing: ABS</li> </ul>	» 30	» flex	» ---	» 2 warning flashes	» 19W	» 12V/24V	<ul style="list-style-type: none"> <li>» ECE R65</li> <li>» ECE R10</li> </ul>	<ul style="list-style-type: none"> <li>» cart. dim.: 99x99x168 mm</li> <li>» lamp weight: 500g</li> <li>» 40 pcs/bulk box</li> </ul>

# LED WARNING LAMP MAGNET R10 R65

Reference: FA34077

PHOTO AND TECHNICAL DRAWING:



TECHNICAL SPECIFICATIONS:

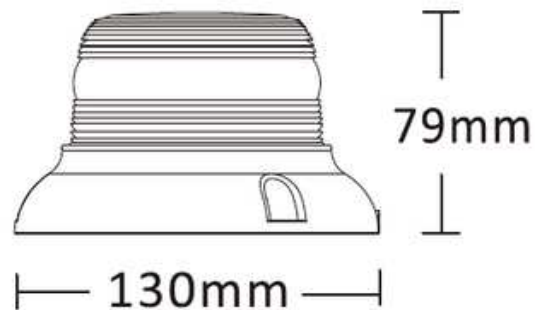


MATERIAL	QUANTITY LED	MOUNTING	CABLE	FUNCTION	WATT	VOLTAGE	CERTIFICATES	PACKING/ WEIGHT
<ul style="list-style-type: none"> <li>» Lens: PC</li> <li>» Housing: PC</li> </ul>	<ul style="list-style-type: none"> <li>» 24</li> </ul>	<ul style="list-style-type: none"> <li>» magnet</li> </ul>	<ul style="list-style-type: none"> <li>» 3m spiral cable with plug for lighter socket</li> </ul>	<ul style="list-style-type: none"> <li>» 3 warning flashes</li> </ul>	<ul style="list-style-type: none"> <li>» 25W</li> </ul>	<ul style="list-style-type: none"> <li>» 12V/24V</li> </ul>	<ul style="list-style-type: none"> <li>» ECE R65</li> <li>» ECE R10</li> </ul>	<ul style="list-style-type: none"> <li>» cart. dim.: 110x110x90 mm</li> <li>» lamp weight: 280g</li> <li>» 20 pcs/bulk box</li> </ul>

# LED WARNING LAMP 3 BOLTS R10 R65

Reference: FA34078

PHOTO AND TECHNICAL DRAWING:



TECHNICAL SPECIFICATIONS:

MATERIAL	QUANTITY LED	MOUNTING	CABLE	FUNCTION	WATT	VOLTAGE	CERTIFICATES	PACKING/WEIGHT
» Lens: PC » Housing: PC	» 24	» 3 bolts	» 150 mm	» 3 warning flashes	» 25W	» 12V/24V	» ECE R65 » ECE R10	» cart. dim.: 100x100x90 mm » lamp weight: 220 g » 20 pcs/bulk box

# LED WARNING LAMP FLEX R10 R65

Reference: FA34079

PHOTO AND TECHNICAL DRAWING:



TECHNICAL SPECIFICATIONS:

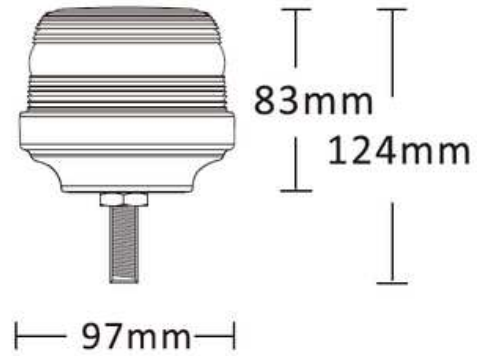


MATERIAL	QUANTITY LED	MOUNTING	CABLE	FUNCTION	WATT	VOLTAGE	CERTIFICATES	PACKING/ WEIGHT
<ul style="list-style-type: none"> <li>» Lens: PC</li> <li>» Housing: PC</li> </ul>	» 24	» flex	» ---	» 3 warning flashes	» 25W	» 12V/24V	<ul style="list-style-type: none"> <li>» ECE R65</li> <li>» ECE R10</li> </ul>	<ul style="list-style-type: none"> <li>» cart. dim.: 100x110x120 mm</li> <li>» lamp weight: 280g</li> <li>» 20 pcs/bulk box</li> </ul>

# LED WARNING LAMP BOLT R10 R65

Reference: FA34080

PHOTO AND TECHNICAL DRAWING:



TECHNICAL SPECIFICATIONS:

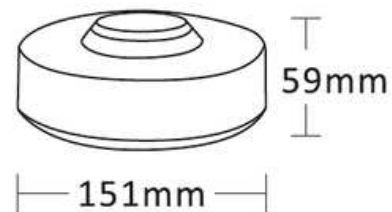
MATERIAL	QUANTITY LED	MOUNTING	CABLE	FUNCTION	WATT	VOLTAGE	CERTIFICATES	PACKING/WEIGHT
<ul style="list-style-type: none"> <li>» Lens: PC</li> <li>» Housing: PC</li> </ul>	» 24	» bolt	» 150mm	» 3 warning flashes	» 25W	» 12V/24V	<ul style="list-style-type: none"> <li>» ECE R65</li> <li>» ECE R10</li> </ul>	<ul style="list-style-type: none"> <li>» cart. dim.: 110x110x98 mm</li> <li>» lamp weight: 250 g</li> <li>» 20 pcs/bulk box</li> </ul>



# LED WARNING LAMP UFO2 MAGNET R10 R65

Reference: FA34081

PHOTO AND TECHNICAL DRAWING:



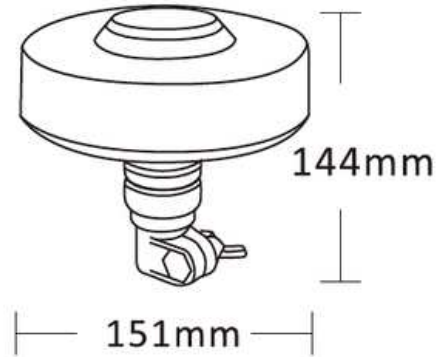
TECHNICAL SPECIFICATIONS:

MATERIAL	QUANTITY LED	MOUNTING	CABLE	FUNCTION	WATT	VOLTAGE	CERTIFICATES	PACKING/ WEIGHT
<ul style="list-style-type: none"> <li>» Lens: PC</li> <li>» Housing: PC</li> </ul>	<ul style="list-style-type: none"> <li>» 48</li> </ul>	<ul style="list-style-type: none"> <li>» magnet</li> </ul>	<ul style="list-style-type: none"> <li>» 3m spiral cable with plug for lighter socket</li> </ul>	<ul style="list-style-type: none"> <li>» 1 warning flash</li> </ul>	<ul style="list-style-type: none"> <li>» 36W</li> </ul>	<ul style="list-style-type: none"> <li>» 12V/24V</li> </ul>	<ul style="list-style-type: none"> <li>» ECE R65</li> <li>» ECE R10</li> </ul>	<ul style="list-style-type: none"> <li>» cart. dim.: x mm</li> <li>» lamp weight: x g</li> <li>» 20 pcs/bulk box</li> </ul>

# LED WARNING LAMP UFO2 FLEX R10 R65

Reference: FA34082

PHOTO AND TECHNICAL DRAWING:



TECHNICAL SPECIFICATIONS:

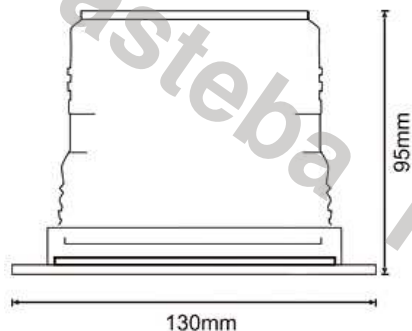


MATERIAL	QUANTITY LED	MOUNTING	CABLE	FUNCTION	WATT	VOLTAGE	CERTIFICATES	PACKING/ WEIGHT
<ul style="list-style-type: none"> <li>» Lens: PC</li> <li>» Housing: PC</li> </ul>	» 48	» flex	» ---	» 1 warning flash	» 36W	» 12V/24V	<ul style="list-style-type: none"> <li>» ECE R65</li> <li>» ECE R10</li> </ul>	<ul style="list-style-type: none"> <li>» cart. dim.: x mm</li> <li>» lamp weight: x g</li> <li>» 20 pcs/bulk box</li> </ul>

# WARNING LAMP LED MICRO MAGNETIC BASE 40LED R65 R10

Reference: FA34083

PHOTO AND TECHNICAL DRAWING:



TECHNICAL SPECIFICATIONS:

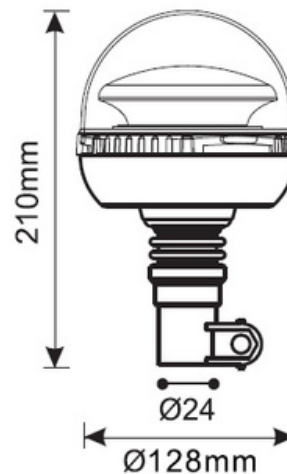


MATERIAL	QUANTITY LED	MOUNTING	CABLE	FUNCTION	WATT	VOLTAGE	CERTIFICATES	PACKING/ WEIGHT
» Lens: PC » Housing: ABS	» 40	» magnet	» 3m spiral cable with plug for lighter socket	» 1 warning flash	» 20W peak 7W average	» 12V/24V	» ECE R65 » ECE R10	» cart. dim.: 140x140x110 mm » lamp weight: 380g » 30 pcs/bulk box

# WARNING LAMP LED R65 R10 FLEX DC12/24V

Reference: FA34084

PHOTO AND TECHNICAL DRAWING:



TECHNICAL SPECIFICATIONS:

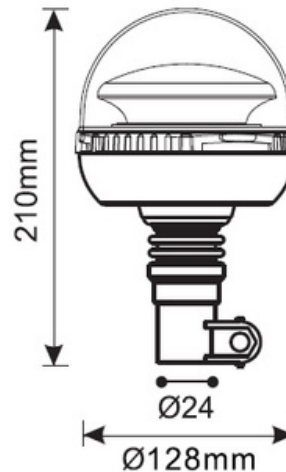


MATERIAL	LED QUANTITY	MOUNTING	CABLE	FUNCTION	WATT	VOLTAGE	CERTIFICATES	PACKING/WEIGHT
» Lens: PC » Housing: PPA	» 45	» flex	» ----	» 1 warning flash	» 20W	» 12V/24V	» ECE R65 » ECE R10	» cart. dim.: 140x140x220 mm » lamp weight: 520g » 20 pcs/bulk box

# WARNING LAMP LED R65 R10 FLEX DC12/24V DOUBLE FLASH

Reference: FA34085

PHOTO AND TECHNICAL DRAWING:



TECHNICAL SPECIFICATIONS:



MATERIAL	LED QUANTITY	MOUNTING	CABLE	FUNCTION	WATT	VOLTAGE	CERTIFICATES	PACKING/ WEIGHT
» Lens: PC » Housing: PPA	» 45	» flex	» ----	» double warning flash	» 20W	» 12V/24V	» ECE R65 » ECE R10	» cart. dim.: 140x140x220 mm » lamp weight: 520g » 20 pcs/bulk box

# WARNING LAMP 8LED 13W R65 R10 ROTATING FLEX DC12/24V

Reference: FA34086

PHOTO AND TECHNICAL DRAWING:



TECHNICAL SPECIFICATIONS:

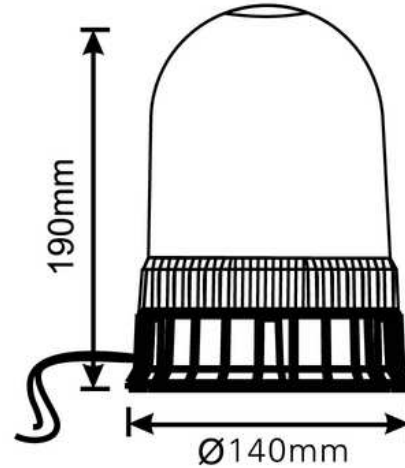


MATERIAL	LED QUANTITY	MOUNTING	CABLE	FUNCTION	WATT	VOLTAGE	CERTIFICATES	PACKING/ WEIGHT
» Lens: PC » Housing: ABS	» 8	» flex	» ----	» 1 warning flash	» 13W	» 12V/24V	» ECE R65 » ECE R10	» cart. dim.: 130x130x260 mm » lamp weight: 530g » 20 pcs/bulk box

# FLASHING BEACON 24 LED R65 R10 3 SCREWS

Reference: FA34086

PHOTO AND TECHNICAL DRAWING:



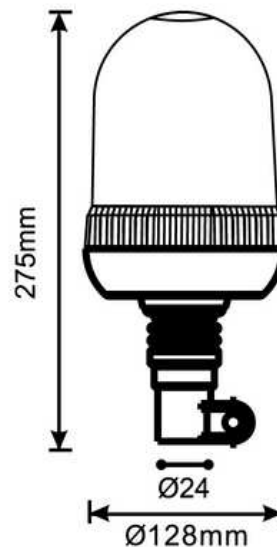
TECHNICAL SPECIFICATIONS:

MATERIAL	LED QUANTITY	MOUNTING	CABLE	FUNCTION	WATT	VOLTAGE	CERTIFICATES	PACKING/WEIGHT
» Lens: PC » Housing: ABS	» 24	» 3 screws	» 300mm	» 1 warning flash	» 38W	» 12V/24V	» ECE R65 » ECE R10	» cart. dim.: 150x150x220 mm » lamp weight: 220g » 20 pcs/bulk box

# ROTATING BEACON FLEX 268 X 126MM

Reference: FA34090

PHOTO AND TECHNICAL DRAWING:



TECHNICAL SPECIFICATIONS:

MATERIAL	QTY BULB	MOUNTING	CABLE	FUNCTION	WATT	VOLTAGE	CERTIFICATES	PACKING/WEIGHT
<ul style="list-style-type: none"> <li>» Lens: PC</li> <li>» Housing: PC</li> </ul>	<ul style="list-style-type: none"> <li>» 1 pcs H1</li> </ul>	<ul style="list-style-type: none"> <li>» flex</li> </ul>	<ul style="list-style-type: none"> <li>» ---</li> </ul>	<ul style="list-style-type: none"> <li>» rotating flash</li> </ul>	<ul style="list-style-type: none"> <li>» 55/70W</li> </ul>	<ul style="list-style-type: none"> <li>» 12V/24V</li> </ul>	<ul style="list-style-type: none"> <li>» ECE R65</li> <li>» ECE R10</li> </ul>	<ul style="list-style-type: none"> <li>» cart. dim.: 140x140x290 mm</li> <li>» lamp weight: 620g</li> <li>» 20 pcs/bulk box</li> </ul>



# LED ROTATING BEACON FOR FORKLIFTS 10-110V R10

Reference: FA34091

PHOTO AND TECHNICAL DRAWING:



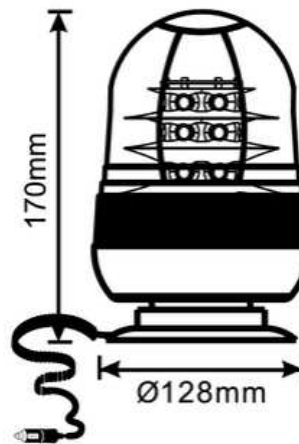
TECHNICAL SPECIFICATIONS:

MATERIAL	QUANTITY LED	MOUNTING	CABLE	FUNCTION	WATT	VOLTAGE	CERTIFICATES	PACKING/ WEIGHT
» Lens: PC » Housing: PC	» 16	» screw	» 300mm	» 1 warning	» 13W	» 12V/24V	» ECE R10 » CE	» cart. dim.: 110x100x140 mm » lamp weight: 230g » 20 pcs/bulk box

# WARNING LAMP 18XLED\*3W R65 R10 MAGNETIC

Reference: FA34092

PHOTO AND TECHNICAL DRAWING:



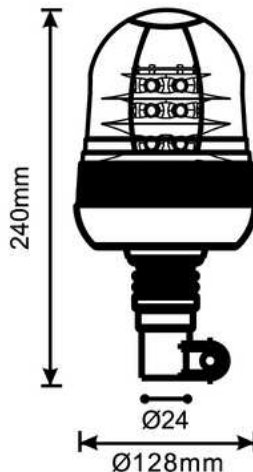
TECHNICAL SPECIFICATIONS:

MATERIAL	QUANTITY LED	MOUNTING	CABLE	FUNCTION	WATT	VOLTAGE	CERTIFICATES	PACKING/ WEIGHT
» Lens: PC » Housing: PPA	» 18	» magnet	» 3m spiral cable with plug for lighter socket	» 1 warning flash	» 14-24W	» 12V/24V	» ECE R65 » ECE R10	» cart. dim.: 140x140x220 mm » lamp weight: 740g » 20 pcs/bulk box

# WARNING LAMP 18XLED\*3W R65 R10 FLEX

Reference: FA34093

PHOTO AND TECHNICAL DRAWING:



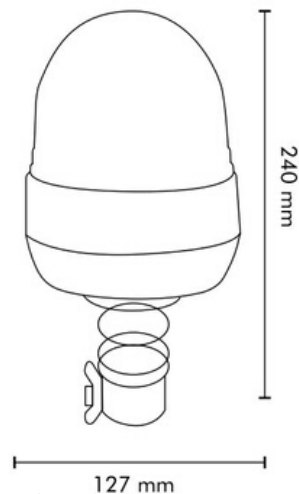
TECHNICAL SPECIFICATIONS:

MATERIAL	QUANTITY LED	MOUNTING	CABLE	FUNCTION	WATT	VOLTAGE	CERTIFICATES	PACKING/ WEIGHT
» Lens: PC » Housing: PPA	» 18	» flex	» ----	» 1 warning flash	» 14-24W	» 12V/24V	» ECE R65 » ECE R10	» cart. dim.: 130x130x250 mm » lamp weight: 610g » 20 pcs/bulk box

# WARNING LAMP LED R65 R10 FLEX

Reference: FA34094

PHOTO AND TECHNICAL DRAWING:



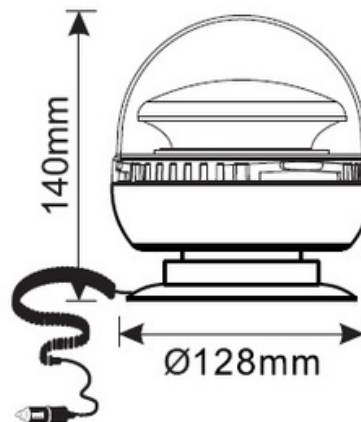
TECHNICAL SPECIFICATIONS:

MATERIAL	QUANTITY LED	MOUNTING	CABLE	FUNCTION	WATT	VOLTAGE	CERTIFICATES	PACKING/WEIGHT
» Lens: PC » Housing: PP	» 14	» flex	» ----	» 1 warning flash	» 16W	» 12V/24V	» ECE R65 » ECE R10	» cart. dim.: 130x130x250 mm » lamp weight: 610g » 20 pcs/bulk box

# WARNING LAMP LED R65 R10 WITH MAGNET

Reference: FA34095

PHOTO AND TECHNICAL DRAWING:



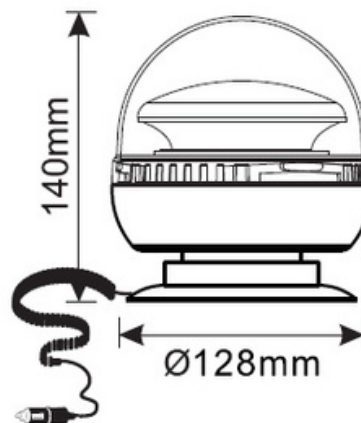
TECHNICAL SPECIFICATIONS:

MATERIAL	QUANTITY LED	MOUNTING	CABLE	FUNCTION	WATT	VOLTAGE	CERTIFICATES	PACKING/WEIGHT
» Lens: PC » Housing: PPA	» 45	» magnet	» 3m spiral cable with plug for lighter socket	» 1 warning flash	» 20W	» 12V/24V	» ECE R65 » ECE R10	» cart. dim.: 150x150x150 mm » lamp weight: 460g » 20 pcs/bulk box

# WARNING LAMP LED R65 R10 WITH MAGNET DOUBLE FLASH

Reference: FA34096

PHOTO AND TECHNICAL DRAWING:



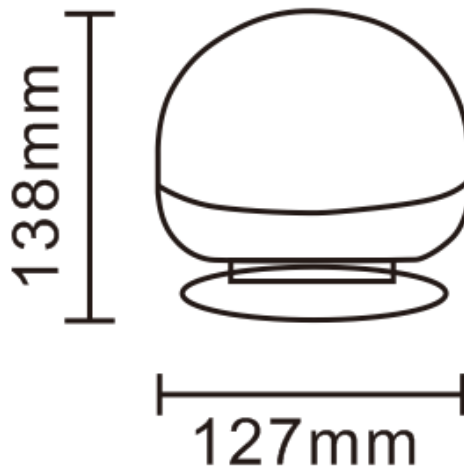
TECHNICAL SPECIFICATIONS:

MATERIAL	QUANTITY LED	MOUNTING	CABLE	FUNCTION	WATT	VOLTAGE	CERTIFICATES	PACKING/ WEIGHT
» Lens: PC » Housing: PPA	» 45	» magnet	» 3m spiral cable with plug for lighter socket	» double warning flash	» 20W	» 12V/24V	» ECE R65 » ECE R10	» cart. dim.: 150x150x150 mm » lamp weight: 460g » 20 pcs/bulk box

# ROTATING WARNING LAMP 8LED 13W R65 R10 MAGNET

Reference: FA34097

PHOTO AND TECHNICAL DRAWING:



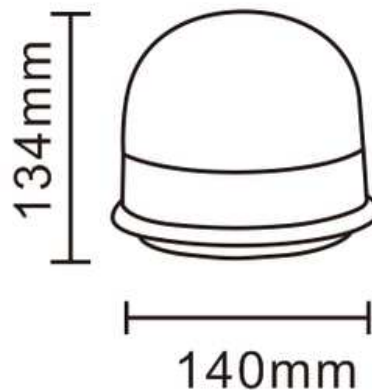
TECHNICAL SPECIFICATIONS:

MATERIAL	QUANTITY LED	MOUNTING	CABLE	FUNCTION	WATT	VOLTAGE	CERTIFICATES	PACKING/WEIGHT
» Lens: PC » Housing: PPA	» 8	» magnet	» 3m spiral cable with plug for lighter socket	» 1 rotating warning flash	» 13W	» 12V/24V	» ECE R65 » ECE R10	» cart. dim.: 150x150x190 mm » lamp weight: 690g » 20 pcs/bulk box

# WARNING LAMP LED R65 R10 WITH MAGNET

Reference: FA34098

PHOTO AND TECHNICAL DRAWING:



TECHNICAL SPECIFICATIONS:



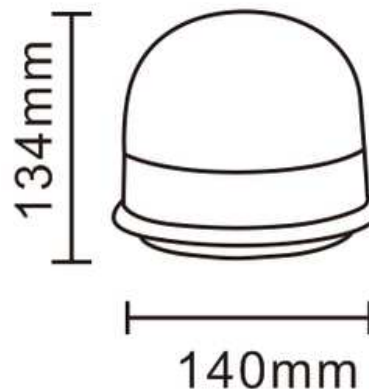
MATERIAL	QUANTITY LED	MOUNTING	CABLE	FUNCTION	WATT	VOLTAGE	CERTIFICATES	PACKING/ WEIGHT
» Lens: PC » Housing: PPA	» 12	» magnet	» 3m spiral cable with plug for lighter socket	» 2 warning flashes	» 30W	» 12V/24V	» ECE R65 » ECE R10	» cart. dim.: 150x150x150 mm » lamp weight: 600g » 20 pcs/bulk box



# ROTATING WARNING LAMP 8LED 13W R65 R10 MAGNET

Reference: FA34099

PHOTO AND TECHNICAL DRAWING:



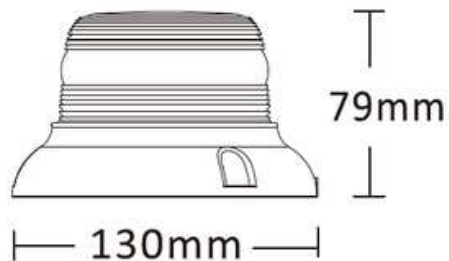
TECHNICAL SPECIFICATIONS:

MATERIAL	QUANTITY LED	MOUNTING	CABLE	FUNCTION	WATT	VOLTAGE	CERTIFICATES	PACKING/WEIGHT
» Lens: PC » Housing: PPA	» 8	» magnet	» 3m spiral cable with plug for lighter socket	» 1 rotating warning flash	» 13W	» 12V/24V	» ECE R65 » ECE R10	» cart. dim.: 150x150x180 mm » lamp weight: 600g » 20 pcs/bulk box

# LED ROTATING BEACON FOR FORKLIFTS 10-110V R10

Reference: FA34100

PHOTO AND TECHNICAL DRAWING:



TECHNICAL SPECIFICATIONS:



MATERIAL	QUANTITY LED	MOUNTING	CABLE	FUNCTION	WATT	VOLTAGE	CERTIFICATES	PACKING/WEIGHT
<ul style="list-style-type: none"> <li>» Lens: PC</li> <li>» Housing: PC</li> </ul>	<ul style="list-style-type: none"> <li>» 24</li> </ul>	<ul style="list-style-type: none"> <li>» 3 screw</li> </ul>	<ul style="list-style-type: none"> <li>» 150 mm</li> </ul>	<ul style="list-style-type: none"> <li>» 3 warning flashes</li> </ul>	<ul style="list-style-type: none"> <li>» 25W</li> </ul>	<ul style="list-style-type: none"> <li>» 10-110V</li> </ul>	<ul style="list-style-type: none"> <li>» ECE R10</li> <li>» CE</li> </ul>	<ul style="list-style-type: none"> <li>» cart. dim.: 110x100x140 mm</li> <li>» lamp weight: 230g</li> <li>» 20 pcs/bulk box</li> </ul>